

B BERGARA



OWNER'S MANUAL
MANUAL DE USUARIO

B 14



CONTENTS

1.- Introduction	4
2.- General safety	5-6
3.- Before firing the rifle	7
4.- Loading the rifle	8
5.- Loading the ammunition into a detachable magazine	8
6.- Functioning of detachable magazine system	9
7.- Assembly of detachable magazine kit	9
8.- Firing the rifle	10-11
9.- Breaking in the barrel	12
10.- Removing a bullet stuck in the bore	12
11.- Use of military ammunition	12
12.- Trigger pull adjustment	13
13.- Testing a trigger setting for safety	14
14.- Maintenance of the trigger	14
15.- Mounting the scope	14-15
16.- Field strip	15
17.- Cleaning and maintenance	16-17
• Barrel	16
• Receiver and bolt	17
• Stock and forend	17
18.- Storage	17
19.- FAQs, causes and solutions	18-21
20.- Description	22-23
21.- Warranty	24

1. INTRODUCTION AND GENERAL SAFETY

Thank you for buying a Bergara B14 bolt action rifle.

We hope that this firearm is up to your expectations, serves you as intended and gives you years of satisfaction.

Please read this manual. There are many features that the user must familiarize with to safely use this firearm.

The future of shooting sports depends on you.

Accidents, misuse of firearms etc. are portrayed as reasons to ban shooting sports in general and firearms in particular. Please be responsible, promote safety and listen to safety advices from other fellow shooters.

If after reading the instructions, warnings and risks detailed in this manual you are not ready to accept the responsibility involved in handling and shooting a firearm safely, return the gun to where you bought it.

All security measures should be taken into account for the safe use of the firearm.

2. GENERAL SAFETY

10 safety rules for handling your firearm

1. Always keep the muzzle pointed in a safe direction, even when the rifle is unloaded.
2. Be sure of your target and of what is behind it before aiming at anything.
3. Never trust the mechanical safety catch of a firearm.
4. The firearm must be unloaded until the moment of use.
5. Always use eye and ear protection.
6. The barrel must be free from any obstruction before loading and firing.
7. Handle every firearm as if it were loaded.
8. Store firearms and ammunition separately and in an enclosed, locked area.
9. Avoid the consumption of alcohol and drugs before and while using a firearm.
10. Do not alter or modify your firearm. Make sure your firearm is serviced regularly by a competent gunsmith. Make sure all the parts are working properly before each use.

2. SAFETY CONSIDERATIONS FOR ALL FIREARMS

- Never smoke while you are shooting or handling a firearm or related material. The ashes or sparks can ignite the gunpowder or cartridges, causing personal injury or death.
- Always use eye protection. It is possible that sparks fly from the breech or the muzzle when we use a rifle.
- Always check the rifle before using it to ensure it is in good working order. Test the trigger and the release system carefully before loading. Make sure that the barrel is not obstructed. Any obstruction can cause the barrel to rupture, resulting in serious injury or death.
- Never load a firearm until you are ready to shoot. You must remove the cartridge when walking, climbing trees or fences, passing the firearm from one person to another, jumping a wall or fence, etc.
- Never lean a firearm against a wall, a tree, a vehicle or any other surface. If a loaded firearm falls it may cause the weapon to accidentally fire, causing serious injury or death.
- Never transport a loaded firearm in any type of vehicle. The firearm is considered to be loaded all the while that the cartridge remains in the chamber.
- Never store a loaded firearm. The firearm must be unloaded and cleaned before any type of storage.
- Never load a firearm without first ensuring that the barrel is clean and unobstructed. If the firearm falls to the floor by accident, check that the barrel has not become obstructed.
- Be very careful when hunting from a position in a tree. If a loaded firearm accidentally falls it may cause the weapon to fire, causing serious injury or death. Make sure the firearm is unloaded before climbing up or down from a tree.
- Never trust the mechanical safety catch! Mechanical devices can and do fail. Firearms must always be handled as if they were ready for shooting, regardless of the position or the mechanical condition of the safety catch.
- Always follow the proper cleaning procedures. Shooting a firearm that is poorly maintained or corroded can lead to dangerous pressure and/or cause the barrel to explode, causing serious injury or death.
- Never point the barrel at anything you do not wish to see damaged. When carrying the firearm on your shoulder, make sure that the barrel is pointing upwards.
- Never try to modify the inner parts of your firearm. Doing so may cause a dangerous situation, provoking an accidental discharge of the weapon and causing serious injury or death. These alterations will generally void the warranty.
- Never leave the firearm unattended or in the reach of children. In some countries it is punishable by law.

3. BEFORE FIRING THE RIFLE

Familiarize yourself with the rifle. Learn how it works and how to use it without ammunition. Recommendations before using the rifle:

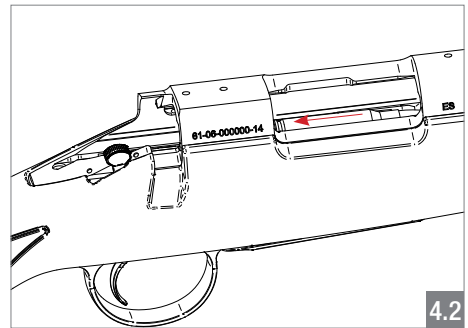
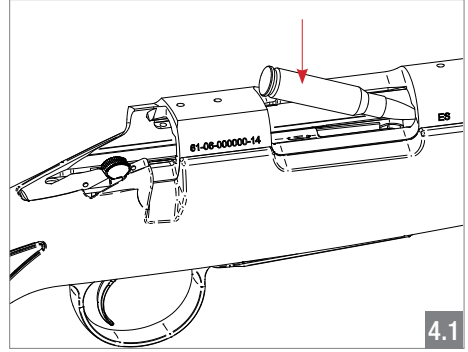
- The rifle comes packed with the bolt detached from the action. Before assembling the bolt, check that the rifle is not loaded, i.e. that there is no casing in the chamber or obstruction in the bore.
- Make sure that there is no cartridge in the magazine.
- Clean the barrel on the inside as shown in the section on “cleaning and maintenance”.
- Wipe off the excess oil from the bolt and the receiver area.
- Insert the bolt into its action as shown under “dismantling of the firearm components for cleaning purposes” in this manual.
- Check the trigger for proper function by dry firing several times.
- After completing the above steps, you can load the firearm as shown in the following section of this manual.
- The first time a firearm is fired, it is recommended to break in the barrel. This process is described in the section “Breaking in the barrel”.

4. LOADING THE RIFLE

The B14 is used as follows:

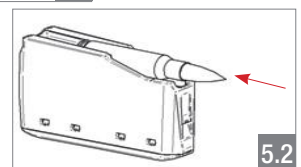
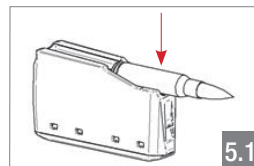
Load the magazine from the upper side with the correct ammunition. Push the cartridge down into the magazine (*Fig. 4.1*) and pull it back when it is inside (*Fig. 4.2*). The capacity of the magazine is 4 cartridges + 1 in the chamber for standard calibers and 3 cartridges + 1 in the chamber for magnum calibers. If these actions are not performed correctly you may have problems with the performance of the rifle.

Safety advice: Double check that the ammunition being loaded is the correct type. The barrel of the rifle has the caliber marked on the side. Shooting ammunition of a different caliber to that marked on the barrel is very dangerous and can cause very serious accidents.



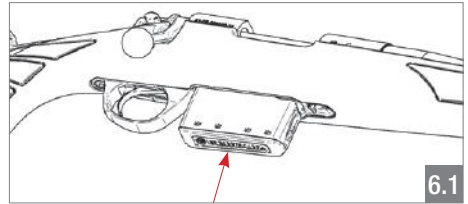
5. LOADING THE AMMUNITION INTO A DETACHABLE MAGAZINE

Load the magazine from the upper side with the corresponding ammunition. Push the cartridge down (*Fig. 5.1*) and once it leans on the front side of the magazine slide it back (*Fig. 5.2*). The capacity of the magazine is 3 cartridges for standard calibers and 2 cartridges for magnum calibers. Functioning problems may happen if these steps are not followed.

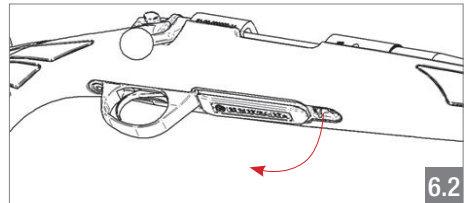


6. FUNCTIONING OF DETACHABLE MAGAZINE SYSTEM

To install the magazine push it to the top, inside the trigger guard, being the ammunition exit side up. (Fig. 6.1)



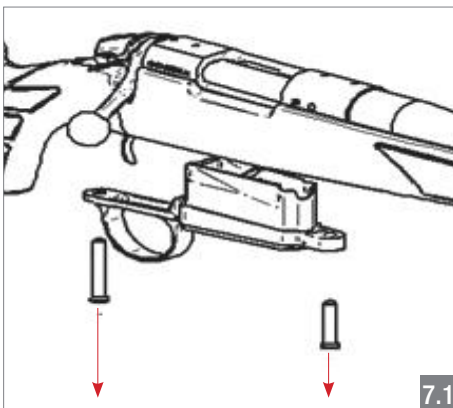
To release the magazine pull the lever located on the front side of the trigger guard. (Fig. 6.2)



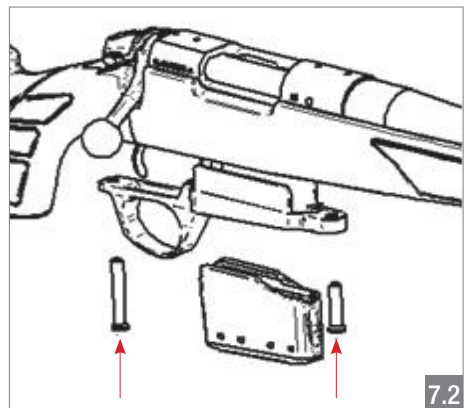
7. ASSEMBLY OF DETACHABLE MAGAZINE KIT

A detachable magazine kit is available for floor plate B14 rifles. Follow the following steps for the correct assembly of this kit.

- Unscrew the floorplate and extract it with all its pieces. (Fig. 7.1)



- Install the new trigger guard and screw it to the rifle with the screws supplied in this kit (Fig. 7.2). The torque for these screws is 7Nm.
- Install the magazine in the trigger guard.



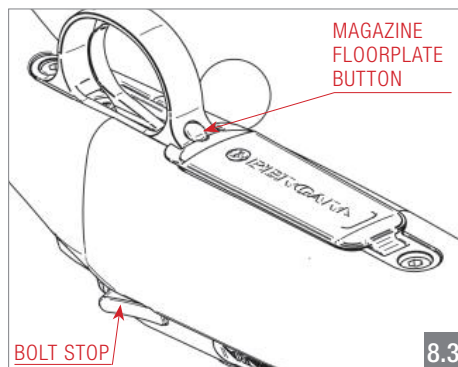
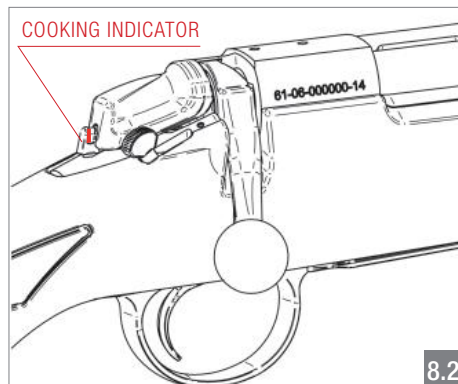
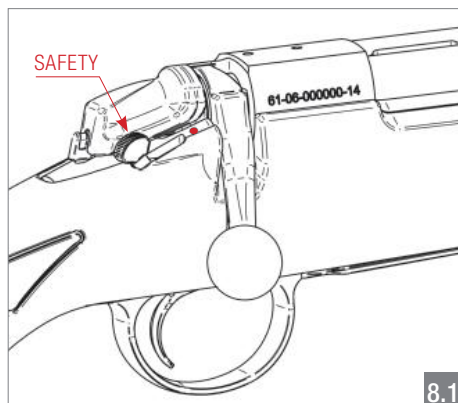
8. FIRING THE RIFLE

- Remove the bolt and make sure the firearm is not loaded. Also verify that nothing is obstructing the bore. Make sure the magazine floor plate is closed.
- The safety catch cannot be activated if the bolt handle is in the down position and the firing pin is not cocked. Having lifted the bolt handle you can now activate the safety catch of the rifle. Therefore, put the safety catch on once the bolt handle is up and before inserting a bullet into the chamber. The rifle is put into the safe position by pushing the safety catch back, towards the white dot. (Fig. 8.1)
- Close the bolt. Check the red cocking indicator. (Fig. 8.2)

Safety advice: When you load the firearm make sure you have lowered the bolt handle right down to the stop.

Safety advice: If you close the bolt and the cocking indicator does not protrude, do not use the rifle. Take the firearm to a qualified gunsmith or contact **Bergara Customer Service**.

- When you are ready to shoot, disengage the safety catch (lever forward) and gently pull the trigger.

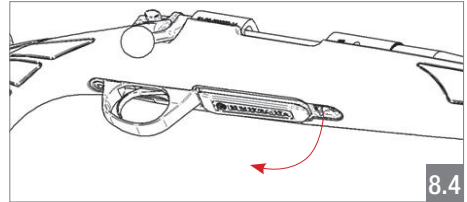


8. FIRING THE RIFLE

Safety advice: If on pulling the trigger of a loaded firearm the rifle does not fire, point the rifle in a safe direction and wait 30 seconds before opening the bolt. The bolt must be opened very carefully.

Safety advice: If you suspect you have made a defective shot and that the bullet has not left the barrel, remove the bolt and check it. This situation can occur because the gunpowder has deteriorated, does not burn or only partially burns. Take the rifle to a qualified gunsmith or contact **Bergara Customer Service**.

- Once fired, open the bolt, pull back as far as the stop, then push forward and close



the bolt. Make sure the rifle ejects the used cartridge. It is important to pull the bolt all the way back and not just a short way as this could jam the firearm.

- To empty the ammunition from the firearm, remove the bolt from receiver and then remove the ammunition by pressing the button on the magazine floorplate (**Fig. 8.3**) or remove the detachable magazine. (**Fig. 8.4**)
- Make sure that there is no cartridge in the chamber.

9. BREAKING IN THE BARREL

During manufacturing, microscopic imperfections are created in the bore of the barrel. These imperfections are smoothed after several rounds of shots. If these imperfections are removed correctly, the barrel will foul less, will be easier to clean, will be more uniform and will become more accurate.

The process of removing these imperfections is called "Breaking in the barrel". The process involves firing a shot or a series of shots and then cleaning the bore.

Allow the barrel to cool down before you start cleaning.

Recommended breaking in process:

- For the first 5 shots clean the rifle after each shot.
- For the next 50 shots clean the rifle after every 10 shots.
- For subsequent shots clean the rifle frequently.

10. REMOVING A BULLET STUCK IN THE BORE

Safety advice: Do not attempt to remove the bullet that is stuck by firing again, because the pressure created can destroy the firearm

injuring the shooter. Take the rifle to a qualified gunsmith or contact **Bergara Customer Service**.

11. USE OF MILITARY AMMUNITION

Military ammunition, such as the 5.56 NATO and 7.62 NATO, is not completely interchangeable with commercial ammunition, such as the .223 Remington and .308 Winchester. There are other differences in the dimensions

of the chamber and the pressure with which the ammunition is usually loaded.

Therefore BERGARA and the SAAMI do not recommend using military ammunition in civilian firearms.

12. TRIGGER PULL ADJUSTMENT

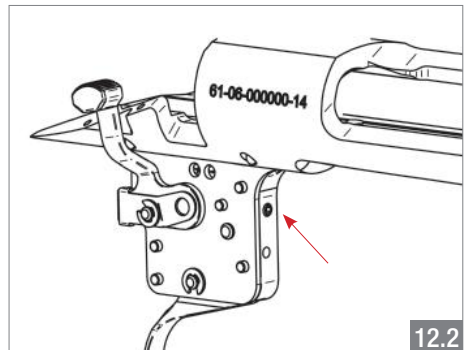
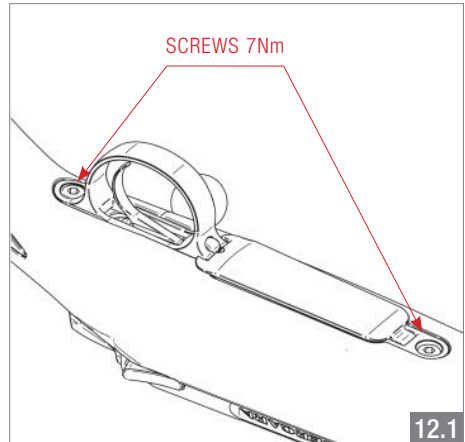
The B14 features a fully adjustable trigger mechanism. The trigger pull is pre-set at the factory at about 1.7 kg (3.7 lbs.) The possible adjustment is between 1.3 and 2 kg (2.8 - 4.4 lbs).

Safety advice: Do not change the trigger mechanism for one made by another manufacturer. It may fit in your firearm but it may not work properly, causing it to be unsafe. The replacement of the firing mechanism voids the warranty.

Safety advice: The trigger must be adjusted by a qualified gunsmith or the factory only.

- To access the adjustment screw you will have to remove the stock. To do this, release the magazine tray and unscrew the screws of the trigger guard (Fig. 12.1). When removing the stock it can become jammed in the receiver and removing it may take a while.
- The adjusting screw for trigger pull (Fig. 12.2) adjusts the force required to pull the trigger.

Safety advice: A trigger that is too light can cause an accidental discharge.



13. TESTING A TRIGGER SETTING FOR SAFETY

After having the trigger adjusted the following tests should be made:

- Close the bolt as fast as possible. The cocking indicator should remain visible. If this is not the case, contact Bergara Customer Service.
- Check the trigger pull with a trigger pull weight scale. If the trigger pull weight is

less than 1.3 kg (2.8 lbs), increase the trigger pull.

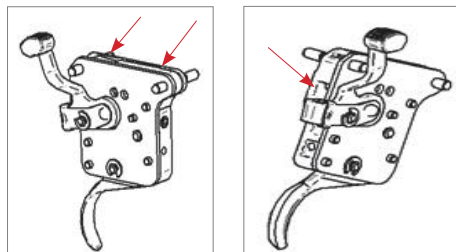
- Simulate a shot and do a full cycle. The red cocking indicator should be visible. If not, contact technical service.

Safety advice: *Never perform these tests with the firearm loaded.*

14. MAINTENANCE OF THE TRIGGER

The trigger must be lubricated periodically for proper conservation.

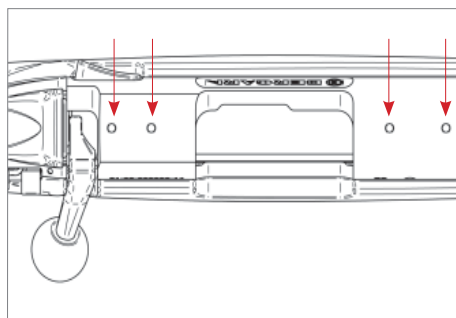
We recommend to spray a thin liquid lubricant. Do not use solid lubricants such as vaseline.



15. MOUNTING THE SCOPE

The receiver has 4 threaded holes. Commercially available scope bases suitable for the Remington® 700™ rifle will fit the BERGARA B14. Use rings of appropriate height.

When you install the scope ring or rail, we recommend using a thread locking product comparable to Loctite® 242. This will prevent the scope from loosening over time due to the recoil.



15. MOUNTING THE SCOPE

To install the scope, follow the instructions provided by the scope manufacturer.

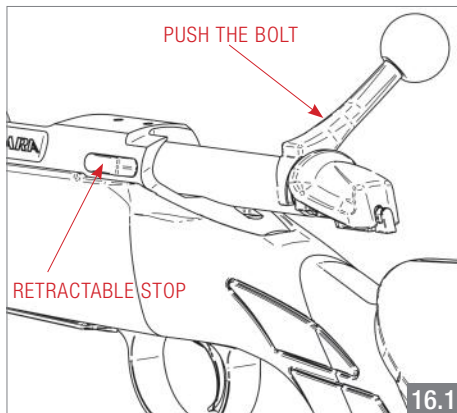
Make sure you use the proper length screws for the scope mounts. The screws should not protrude inside the receiver. The rear screws are sometimes longer than front screws. Changing the position of these screws may cause problems the performance of the rifle.

Safety advice: Always wear protective glasses when firing. Do not install the scope too close to the eye. Due to the recoil the scope can hit the shooter's face and cause injury. As practical advice, check that your fist can fit between your eye and the scope. If the eye relief is too short, replace it for one with greater eye relief.

16. FIELD STRIP

To dismantle the gun for cleaning or inspection, take the following steps (Fig. 16.1):

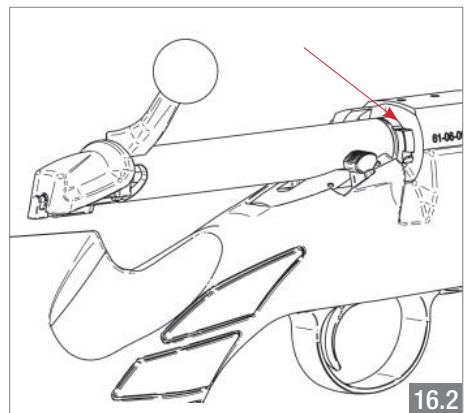
- Unload the rifle by releasing the floorplate or remove the detachable magazine.
- Position the bolt about 25 mm (1 inch) before the stop.
- Push the release of the retractable stop and remove the bolt.



- Verify there is no cartridge in the chamber or the bore, looking through the barrel from the chamber side.

To assemble the dismantled rifle (Fig. 16.2):

- Press the release of the retractable stop and insert the bolt. Rotate the bolt until it aligns with the channel.
- Make sure the floorplate is closed, if not, close it.



17. CLEANING AND MAINTENANCE

In general, the B14 rifle is easy to maintain. In this section you will find all the information required to keep the rifle in good shape.

After firing a shot with the rifle, if it is not cleaned properly within 24 hours corrosion will start to appear in some of the components of the firearm. In humid environments the appearance of corrosion is even more likely than in normal conditions.

We therefore recommend that you clean the following parts regularly, especially after a day of hunting or on the shooting range (always refer to the instructions provided by the manufacturer of the chemical products used):

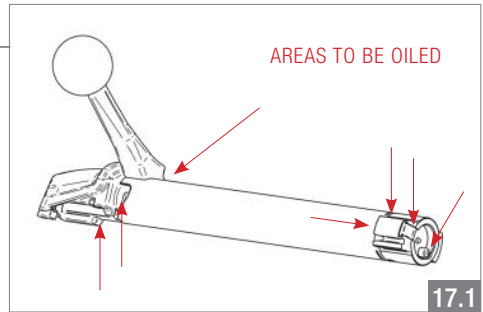
Barrel

The high quality of the Bergara rifle barrel requires proper care to maintain its accuracy. This advice should be followed:

- The correct direction for cleaning is from the chamber to the muzzle. Cleaning the barrel in the opposite direction seriously affects the accuracy.
 - If possible, use a quality, one piece cleaning rod to avoid damaging the bore.
 - Use suitable cleaning products to help prolong the life of the barrel.
 - Try to avoid the accumulation of too much copper in the bore. It will significantly reduce the accuracy.
 - Use a high quality brush for cleaning the bore. Avoid stainless steel brushes.
 - It is highly recommended to also clean the chamber. Use a suitable brush.
 - After cleaning the bore, apply a patch (a cloth square) soaked in gun oil to prevent rust. Run a dry cloth through it before shooting to remove the oil and not damage the bore.
- Important: Traces of oil inside the barrel at the moment of firing can cause overpressure.***
- Check the crowning regularly for damage because this can seriously affect the accuracy.

Receiver and bolt

- Clean the entire bolt and the inside of the receiver with a cloth impregnated with a suitable product to remove residues.
- Using a brush, clean the bolt face and extractor. Also clean the exposed area of the firing mechanism and the bolt head lugs.
- The body of the bolt, the lugs, the cocking channel and the safety catch must be lubricated or greased. Periodically, a drop of suitable oil should be placed on the ejector and the extractor (*Fig. 17.1 y 17.2*), until we get a very thin film of oil.



Stock

- A fine brush can be used to remove dust from the outside.
- The synthetic stock is easily cleaned with a damp microfiber cloth.
- The wooden stock has been treated with oil at the factory. Generally speaking it is only necessary to dry it after use, however, to keep it in good condition it is desirable to occasionally apply a good stock oil.
- After cleaning, lubricate all the exposed metal parts of the rifle.

18. STORAGE

- Store your gun in a safe including a method for reducing the relative humidity.
- From time to time, remove the rifle from its storage location and clean it.
- Follow the legal regulations regarding storage of firearms.
- If you are going to keep the rifle in the gun rack for an extended time, store it uncocked, with the firing pin spring in the resting position, i.e. not compressed.

19. FAQs, CAUSES AND SOLUTIONS

PROBLEM	CAUSE	SOLUTION
The firearm is loaded, I pull the trigger but the shot doesn't fire	Defective ammunition	Try with different ammunition
	The firing pin does not go out far enough or it does with little force	Contact Bergara Customer Service
	Broken firing pin	Contact Bergara Customer Service
The cartridge does not fit in the chamber	Ammunition incorrect caliber	Make sure the ammunition is the correct calibre
	The case is stuck	Very carefully remove the lodged casing
	Something is obstructing the chamber or chamber is very dirty	Carefully clean the chamber
	Chamber is damaged	Contact Bergara Customer Service
I can't lower the bolt handle	Chamber dirty (casing residual...)	Clean it, If not resolved, contact Bergara Customer Service
	You have used different caliber ammunition	Use correct ammunition
	Ejector locked, rigid	Apply oil, move by hand and if not resolved, contact Bergara Customer Service
The rifle fires when closing the bolt	Damaged trigger or improper trigger adjustment	Stop immediately, very dangerous
The rifle fires when safety catch on	Be careful! Very dangerous. Defective trigger	Contact Bergara Customer Service
The rifle has been fired but the casing doesn't eject	The extractor does not work properly	Contact Bergara Customer Service
		Check that the extractor "springs" correctly
		Check that the extractor is not broken
		If it is either of these things, return the rifle to the factory
	Defective casing	Try with different ammunition
	Chamber damaged	Contact Bergara Customer Service

19. FAQs, CAUSES AND SOLUTIONS

PROBLEM	CAUSE	SOLUTION
I cannot insert the cartridges into the magazine	Follower incorrectly positioned	Position the follower correctly
	Cartridges wrongly inserted	When inserting the cartridge you must ensure that the base touches the back part of the magazine. That is, the cartridge must be pushed downwards and backwards as shown on p. 8 of this manual
	Incorrect calibre of ammunition	Make sure the calibre corresponds to the barrel
The rifle fired, the casing extracted but wasn't expelled	Dirt or rust in the ejector	Clean adequately and lubricate the area
	The ejector does not work properly	Check that the ejector "springs" correctly and isn't blocked Check that the extractor operates correctly If either of these things doesn't work, contact Bergara Customer Service
I cannot open the floorplate of the magazine	Dirty or poorly maintained	Clean, then lubricate the area with spray-on oil
I cannot close the floorplate of the magazine	Damage in follower or spring	Contact Bergara Customer Service
The rifle does not feed the cartridges from the magazine	Dirty or poorly maintained	Clean, then lubricate the area with spray-on oil
	Damage in follower or spring	Contact Bergara Customer Service
	Cartridges wrongly inserted in magazine	Remove the cartridges and reload the magazine making sure that the bullets are correctly inserted according to p. 8 of this manual
	Damage in follower or spring	Contact Bergara Customer Service

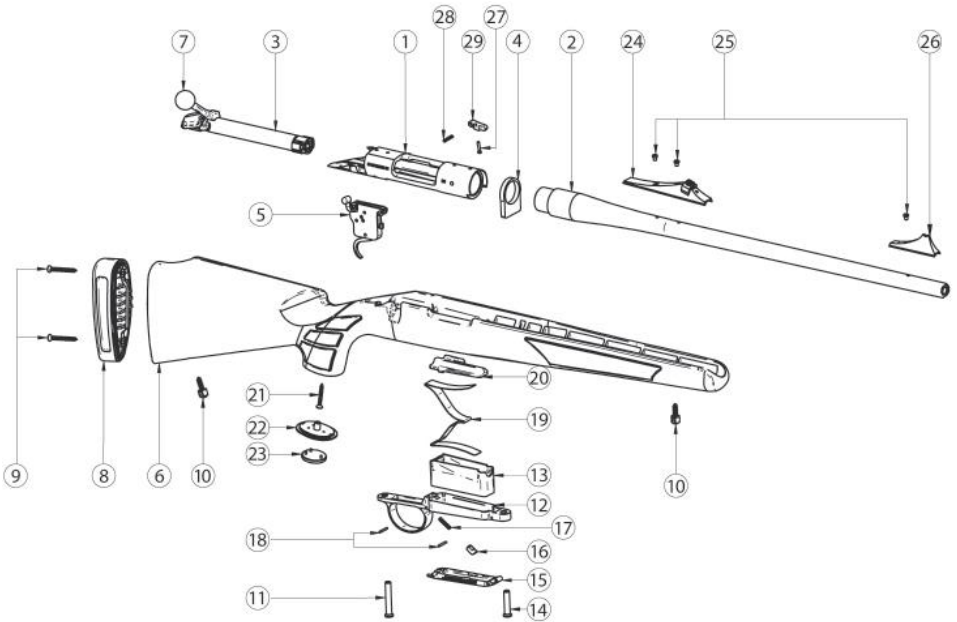
19. FAQs, CAUSES AND SOLUTIONS

PROBLEM	CAUSE	SOLUTION
The bolt comes out without pressing the bolt stop	The bolt stop or spring is broken	Contact Bergara Customer Service
Rear cap rotated	Accidental turning when the bolt is back or removed	Rotate the cap into position by hand
The trigger is very stiff	Improperly adjusted, dirty or poorly maintained	Adjustment of the trigger by a qualified gunsmith or contact Bergara Customer Service
The bolt movement is very stiff	Dirt, inadequate lubrication	Remove the bolt and carefully clean the bolt and action
	Bolt damaged	Contact Bergara Customer Service
My rifle is rusting	Inadequate maintenance of the rifle	Remove Rust and then oil or Contact Bergara Customer Service
It is difficult to raise the bolt handle	Dirty or poorly maintained	Clean and lubricate adequately
	Inappropriate ammunition that causes overpressure	Use commercial ammunition
	Problem in the rifle mechanism	Contact Bergara Customer Service
The ball of the bolt handle is loose	Broken thread	Contact Bergara Customer Service
	Loose from its housing	Use a thread locking product to reseal the ball

19. FAQs, CAUSES AND SOLUTIONS

PROBLEM	CAUSE	SOLUTION
The rifle does not group my shots	Inappropriate ammunition	Try with different ammunition
	Reloaded ammunition	Try with different ammunition
	Have you dropped the rifle?	Check the condition of the weapon and the scope. If everything is OK and it doesn't group, return to the factory for damage assessment and warranty
	Dirt or rust in the barrel (especially near the muzzle)	Clean the barrel properly according to this instruction book
	Dirt in the chamber	Clean the barrel properly according to this instruction book
	Scope badly fitted (base, rings, display)	Ensure that the sighting systems are properly fitted with a 7 Nm torque
	Blow to the muzzle (crowning)	Contact Bergara Customer Service
	Accessories fitted on the barrel (except open sights or scope)	Remove the accessories that have been fitted to the barrel
	Barrel is touching the stock	Contact Bergara Customer Service
	The stock is badly fitted	Ensure that the screws are secure
	The trigger release is very stiff	Contact Bergara Customer Service
	Chamber damaged	Contact Bergara Customer Service
	Defective closure bolt-action-barrel	Contact Bergara Customer Service

20. DESCRIPTION

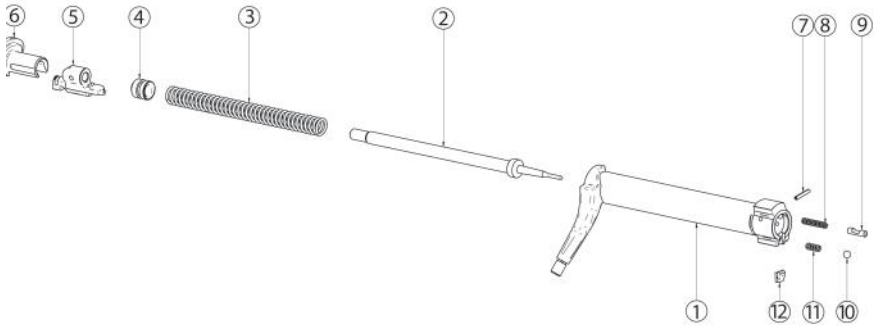


ITEM N. DESCRIPTION

ITEM N. DESCRIPTION

1	Receiver	16	Magazine opening button
2	Barrel	17	Opening button spring
3	Bolt body assembly	18	Trigger guard lock pins
4	Recoil lug	19	Magazine spring
5	Trigger mechanism	20	Follower
6	Stock	21	Shield fixing screw
7	Bolt knob	22	Shield
8	Recoil pad	23	Shield cover
9	Recoil pad screws	24*	Rear sight
10	Sling swivel	25*	Sight screws
11	Stock rear screw	26*	Front sight
12	Trigger guard	27	Bolt catch screw
13	Magazine	28	Bolt catch spring
14	Stock front screw	29	Bolt catch lever
15	Magazine tray		

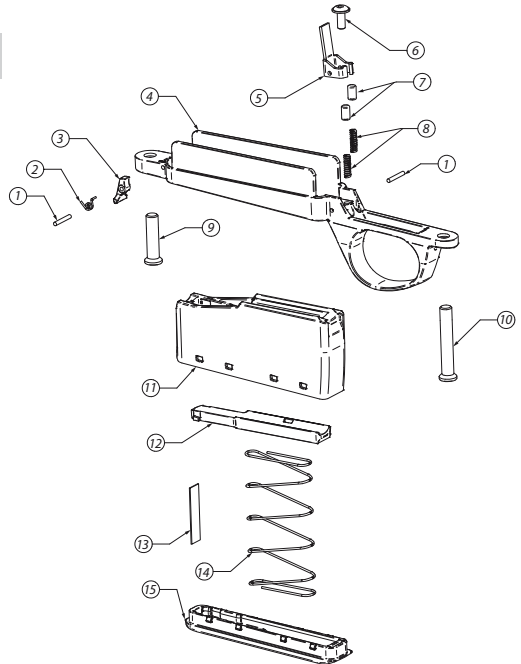
20. DESCRIPTION



ITEM N.	DESCRIPTION	ITEM N.	DESCRIPTION
1	Bolt body	7	Ejector pin
2	Firing pin	8	Ejector plunger spring
3	Firing pin spring	9	Ejector
4	Firing pin bushing	10	Extractor ball
5	Firing pin lock	11	Extractor spring
6	Firing pin shroud	12	Extractor

ITEM N. DESCRIPTION

1	Trigger guard lock pins
2	Lever spring
3	Magazine clamping lever
4	Magazine trigger guard
5	Magazine pushing plate
6	Regulation screw
7	Pushing pin
8	Pushing spring
9	Stock front screw
10	Stock rear screw
11	Magazine body
12	Follower
13	Magazine sheet of metal
14	Magazine spring
15	Magazine plate



21. WARRANTY

Please address your warranty concerns electronically to:

Info@bergararifles.com

For USA /Canada:

contact@bergarausa.com

Or by mail to:

DIKAR S. Coop

Urarte, 26

20570 Bergara - Gipuzkoa (Spain)

Bergara North America

BPI Outdoors

1270 Progress Center Ave. Suite 100

Lawrenceville, GA 30043

The Bergara B14 rifle is warranted to be free from manufacturers defects for the life of the gun. This warranty is to the original purchaser and is not transferable. This warranty does not cover normal wear and tear, finish of metal or wood, abuse or misuse, damage to property, cost of inconvenience or loss of use.

This warranty gives you certain legal rights and you may have other rights which vary from state to state or country to country. Apart from the assumptions of cancellation of warranty mentioned in the different sections of this manual, below will also void the warranty:

- Unauthorized modifications and/or repairs.
- Rifle returned in neglected conditions (dirty, corroded, etc.).
- Use of improper ammunition (e.g. military ammunition, reloaded ammunition, ammunition un authorized by CIP or SAAMI).
- Damages which result from not following the instructions given in this manual.

The rifle is identified by its serial number on the side of the receiver.

IMPORTANT: In case of return, make sure that the rifle is unloaded!!



CUSTOMER SERVICE:

BERGARA

DIKAR S. Coop

Urarte, 26
20570 Bergara - Gipuzkoa (Spain)
Tel.: +34 943 769 893
info@bergararifles.com
www.bergararifles.com
Facebook: Bergara Rifles Europe
Youtube: bergarainternational

CUSTOMER SERVICE USA/CANADA:

Bergara North America

BPI Outdoors
1270 Progress Center Ave. Suite 100
Lawrenceville, GA 30043
800 320-8767
www.bergarausa.com
contact@bergarausa.com
Facebook: Bergara USA
Youtube: Bergara US





ÍNDICE

1.- Introducción	30
2.- Seguridad en general	21-32
3.- Antes de disparar el rifle	33
4.- Cargar el rifle	34
5.- Carga de la munición con cargador extraíble	34
6.- Funcionamiento del sistema de cargador extraíble	35
7.- Montaje del kit cargador extraíble	35
8.- Disparar el rifle	36-37
9.- Rodaje del cañón	38
10.- Extracción de una bala atascada en el ánima del cañón	38
11.- Uso de munición militar	38
12.- Ajuste del peso del gatillo	39
13.- Prueba de seguridad de gatillo	40
14.- Desmontaje del arma para su limpieza	40
15.- Montaje de la mira telescópica	40-41
16.- Desmontaje del arma para su limpieza	41
17.- Limpieza y mantenimiento	42-43
• Cañón	42
• Carcasa (acción) y cerrojo	43
• Culata y guardamanos	43
18.- Almacenamiento	43
19.- Preguntas más frecuentes, causas y soluciones	44-47
20.- Descripción	48-49
21.- Garantía	50

1. INTRODUCCIÓN Y SEGURIDAD GENERAL

Gracias por comprar un rifle de acción de cerrojo Bergara B14.

Esperamos que este rifle cumpla sus expectativas, le sirva para sus fines y le proporcione años de satisfacción.

Lea este manual. Hay muchas características a las que se debe familiarizar el usuario para utilizar el arma de manera segura.

El futuro de los deportes de tiro depende de usted.

Los accidentes, el mal uso de las armas de fuego, etcétera, se consideran razones para prohibir los deportes de tiro en general y de armas en particular.

Sea responsable, busque la seguridad y preste atención a los consejos sobre seguridad de otros compañeros tiradores.

Si después de leer las instrucciones, advertencias y riesgos detallados en este manual usted no está dispuesto a aceptar la responsabilidad que supone manipular y disparar un arma de forma segura, devuelva el arma al lugar donde la compró.

¡Deben tenerse en cuenta todas las medidas de seguridad para que la utilización del arma sea segura!

2. SEGURIDAD EN GENERAL

10 reglas de seguridad para el manejo de su arma

1. Mantenga siempre la boca del rifle apuntando en una dirección segura, aunque el rifle esté descargado.
2. Esté seguro de su objetivo y de lo que hay detrás de él antes de apuntar a ningún sitio.
3. Nunca se fíe de la seguridad mecánica de un arma.
4. El arma debe estar descargada hasta el momento de su uso.
5. Use siempre protección ocular y auditiva.
6. El cañón debe estar libre de cualquier tipo de obstrucción antes de la carga y el disparo.
7. Maneje cada arma como si estuviera cargada.
8. Almacene las armas y la munición por separado y en un área cerrada con llave.
9. Evite el consumo de bebidas alcohólicas y drogas, antes y durante el uso de un arma.
10. No altere ni modifique su arma. Mantenga su arma revisada con regularidad por un armero competente. Asegúrese de que cada pieza funciona correctamente antes de cada uso

2. CONSIDERACIONES DE SEGURIDAD PARA TODAS LAS ARMAS

- Nunca fume mientras dispara o maneja un arma o material relacionado. Las cenizas o las chispas pueden causar que la pólvora o los cartuchos prendan, provocando daños personales, incluso la muerte.
- Utilice siempre protección para los ojos. Es posible que salten partículas de la recámara o de la boca del arma cuando utilizamos cualquier rifle.
- Revise siempre el arma antes de usarla para asegurarse de que está en buen estado de funcionamiento. Pruebe el gatillo y el sistema de apertura cuidadosamente antes de la carga. Compruebe que el cañón no este obstruido. Cualquier obstrucción puede hacer que éste explote, causando graves lesiones o la muerte.
- Nunca cargue un arma hasta que esté listo para disparar. Hay que sacar el cartucho al caminar, al trepar árboles o cercas, al pasar el arma de una persona a otra, al saltar una pared o valla,...
- Nunca apoye un arma contra la pared, un árbol, un vehículo u otra superficie. La caída de un arma cargada puede provocar un disparo accidental del arma, causando graves lesiones o la muerte.
- Nunca transporte un arma cargada en ningún tipo de vehículo. Se considera que el arma está cargada mientras no se saque el cartucho de la recámara.
- Nunca guarde un arma cargada. El arma debe estar descargada y debemos limpiarla antes de cualquier almacenamiento.
- Nunca cargue un arma sin antes asegurarse de que el cañón está limpio y sin obstrucciones. Si el arma cae al suelo por accidente, comprobar que el cañón no ha quedado obstruido.
- Tenga mucho cuidado cuando cace desde un puesto de árbol. La caída accidental de un arma puede provocar un disparo, que puede causar graves lesiones o la muerte. Asegúrese de que el arma esta descargada antes de subir o bajar de un árbol.
- ¡Nunca se fie de la seguridad mecánica! Los aparatos mecánicos pueden fallar y de hecho lo hacen. Las armas siempre deben manipularse como si estuvieran listas para disparar, independientemente de la posición o la condición mecánica de la seguridad.
- Utilice siempre procedimientos de limpieza adecuados. Disparar un cañón con mal mantenimiento o con corrosión puede conducir a condiciones de presión peligrosas y/o hacer que el cañón explote causando lesiones graves o la muerte.
- Nunca apunte el cañón hacia algo que usted no quiera ver dañado. Al llevar el arma en el hombro asegúrese que la boca del cañón este mirando hacia arriba.
- No trate de modificar las partes internas de su arma. Si lo hace puede causar una situación peligrosa causando un disparo accidental del arma y causando graves lesiones o la muerte. Estas alteraciones, en general, anulan la garantía.
- No deje el arma sin vigilancia o al alcance de los niños. En algunos países está penado por la ley.

3. ANTES DE DISPARAR EL RIFLE

Familiarícese con el arma. Aprenda cómo funciona y cómo se utiliza sin munición. Recomendaciones antes de usar el rifle:

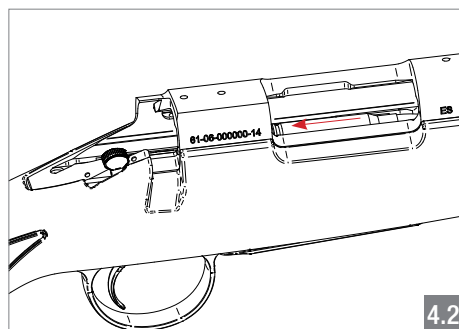
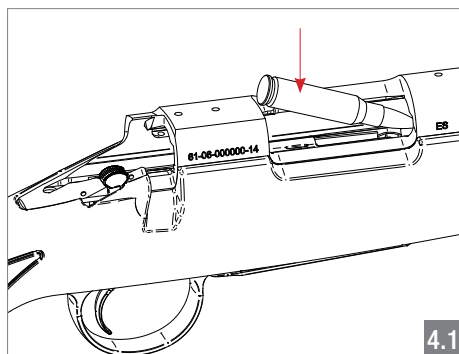
- El rifle viene embalado con el cerrojo desmontado de la acción. Antes de montar el cerrojo compruebe que el rifle está descargado, es decir, que no haya ninguna vaina en la recámara u obstrucción en el cañón.
- Compruebe que no hay ningún cartucho en el cargador.
- Limpie el cañón por dentro según se indica en el apartado "limpieza y mantenimiento".
- Limpie el aceite sobrante del cerrojo y del área del receiver.
- Introduzca el cerrojo en su acción según se indica en el punto "desmontaje de los componentes del arma para su limpieza" de este manual.
- Compruebe el correcto funcionamiento del disparador accionándolo varias veces.
- Una vez realizados los pasos anteriores, puede usted cargar el arma como se indica en el siguiente punto de este manual.
- La primera vez que se dispara un rifle, se recomienda hacer el rodaje del cañón. El proceso se describe en el apartado "Rodaje del cañón".

4. CARGAR EL RIFLE

El B14 se utiliza de la siguiente forma:

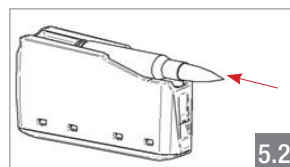
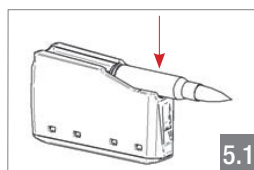
Cargue el cargador por la apertura superior de la acción con la munición correspondiente. Para ello, empuje el cartucho hacia abajo (Fig. 4.1). Una vez dentro, deslícelo hacia atrás (Fig. 4.2). La capacidad del cargador en los calibres estándar es de 4 + 1 cartucho en la recámara y en los magnum de 3 + 1 cartucho. Si no se ejecutan debidamente estas acciones pueden surgir problemas en el funcionamiento del arma.

Consejo sobre seguridad: Compruebe dos veces que la munición que está cargando es la correcta. El cañón del rifle tiene el calibre marcado en el lateral. Disparar munición de un calibre distinto al marcado en el cañón es muy peligroso y puede causar accidentes muy graves.



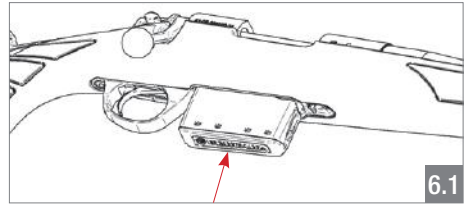
5. CARGA DE LA MUNICIÓN CON CARGADOR EXTRAÍBLE

Cargue el cargador por la apertura superior con la munición correspondiente. Para ello, empuje el cartucho hacia abajo (Fig. 5.1). Una vez apoyado en el fondo, deslícelo hacia atrás (Fig. 5.2). La capacidad del cargador en los calibres estándar es de 3 cartuchos y en los magnum de 2 cartuchos. Si no se ejecutan debidamente estas acciones pueden surgir problemas en el funcionamiento del arma.

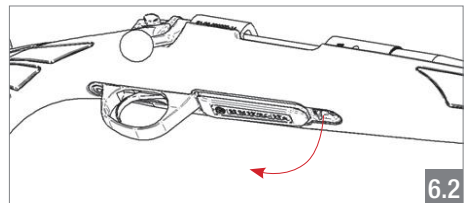


6. FUNCIONAMIENTO DEL SISTEMA DE CARGADOR EXTRAÍBLE

Para colocar el cargador en su posición, empujelo dentro del guardamonte hasta el fondo con la parte de la salida de munición hacia arriba (Fig. 6.1).



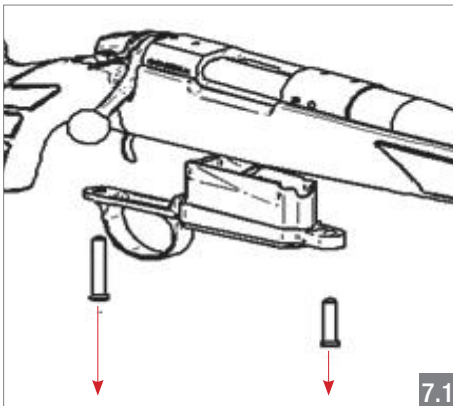
Accionar la palanca situada en la parte delantera del guardamonte para liberar el cargador (Fig. 6.2).



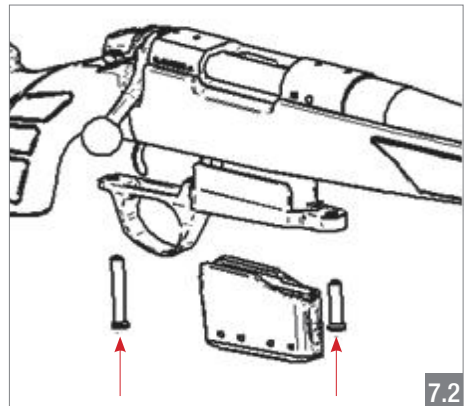
7. MONTAJE DEL KIT CARGADOR EXTRAÍBLE

El rifle B14 tiene disponible un kit de cargador extraíble para los rifles con bandeja de cargador. Para una buena colocación de este kit se recomienda seguir los siguientes pasos.

- Suelte los tornillos que sujetan el guardamonte y extráigalo con todas sus piezas (Fig. 7.1).



- Coloque el guardamonte nuevo en la culata y átelo en el rifle con los tornillos que se le han proporcionado en este kit (Fig. 7.2). El par de apriete de estos tornillos es de 7Nm.
- Inserte el cargador en el guardamonte.



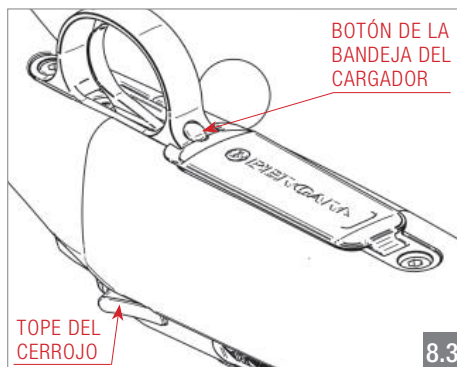
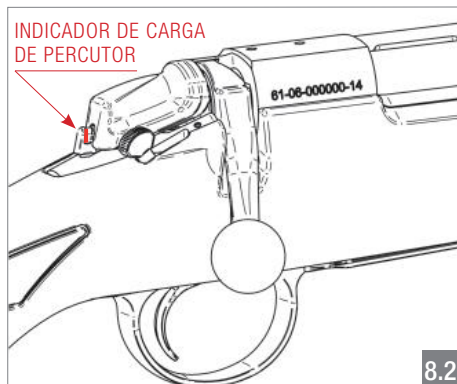
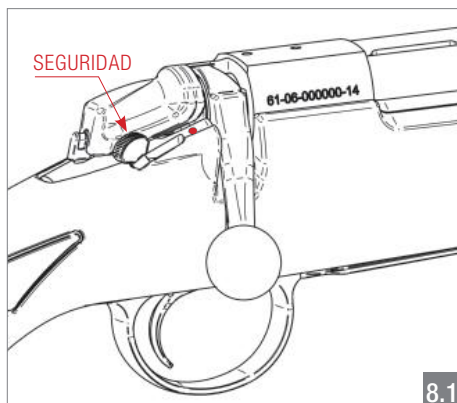
8. DISPARAR EL RIFLE

- Extraiga el cerrojo y asegúrese de que el arma está descargada. Compruebe también que nada obstruye el ánima. Asegúrese de que la bandeja del cargador está cerrada.
- El seguro del arma no se puede accionar si la palanca del cerrojo está en la posición inferior y el rifle sin amartillar, el rifle no está cargado. Una vez levantada la palanca del cerrojo ya puede poner el rifle en posición de seguro. Por lo tanto ponga el rifle en seguro una vez levantada la palanca del cerrojo y antes de introducir un cartucho en la recámara. El rifle se pone en posición de seguro tirando de la palanca hacia atrás, hacia el punto blanco. (Fig. 8.1)
- Cierre el cerrojo. Compruebe el indicador rojo del percutor cargado. (Fig. 8.2)

Consejo sobre seguridad: Al cargar el arma asegúrese de bajar la palanca hasta el tope.

Consejo sobre seguridad: Si cierra el cerrojo y el indicador del percutor cargado no sobresale, no utilice el rifle. Lleve el arma a que la revise un armero cualificado o contacte con el **SAT de Bergara**.

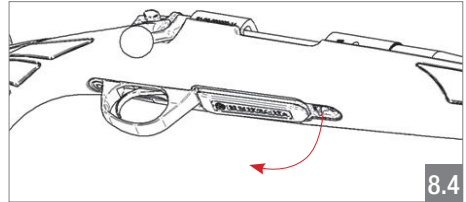
- Cuando esté listo para disparar, quite el seguro (la palanca hacia adelante) y tire del gatillo con suavidad.



8. DISPARAR EL RIFLE

Consejo sobre seguridad: Si al apretar el gatillo en un arma cargada el rifle no dispara, apunte el rifle a una dirección segura y espere 30 segundos antes de abrir el cerrojo. El cerrojo debe ser abierto con gran precaución.

Consejo sobre seguridad: Si se sospecha que se ha realizado un disparo defectuoso y que la bala no ha salido del cañón, proceda a quitar el cerrojo y a comprobarlo. Esta situación se puede producir porque la pólvora esté deteriorada, no quemándose o realizando una combustión parcial. En este caso lleve el arma a que lo revise un armero cualificado o contacte con el **Servicio de Asistencia Técnica de Bergara**.



- Una vez disparado, abra el cerrojo, tire hacia atrás hasta llegar al tope, luego empuje hacia delante y cierre el cerrojo. Asegúrese de que el arma expulsa la vaina usada. Es importante tirar del cerrojo hasta el tope y no un simple recorrido corto ya que se podría atascar el arma.
- Para vaciar el arma, extraiga el cerrojo de la carcasa y retire la munición pulsando el botón de la bandeja del cargador (*Fig. 8.3*) o extraiga el cargador extraíble (*Fig. 8.4*).
- Inspeccione que no hay ningún cartucho en la recámara.

9. RODAJE DEL CAÑÓN

Durante la fabricación, se crean imperfecciones microscópicas en el ánima del cañón. Estas imperfecciones, se pulen después de varias series de disparos. Si estas imperfecciones se eliminan correctamente, el cañón se ensuciará menos, se limpiará con más facilidad, será más uniforme y ganará en precisión.

El proceso de eliminación de dichas imperfecciones se denomina “rodaje del cañón”. El proceso consiste en disparar un tiro o una serie de ellos y luego limpiar el ánima.

Deje enfriar el cañón antes de empezar a limpiarla.

Proceso de rodaje recomendado:

- En los primeros 5 disparos limpie el arma en cada disparo.
- En los siguientes 50 disparos limpie el arma cada 10 disparos.
- En los disparos posteriores limpie el arma frecuentemente.

10. EXTRACCIÓN DE UNA BALA ATASCADA EN EL ÁNIMA

Consejo sobre seguridad: No intente extraer la bala atascada con otro disparo posterior porque la presión creada puede destruir el arma hiriendo al tirador.

Lleve el arma a que la revise un armero cualificado o contacte con el **Servicio de Asistencia Técnica de Bergara**.

11. USO DE MUNICIÓN MILITAR

La munición militar, como puede ser el 5,56 NATO y el 7,62 NATO, generalmente tiene un espesor mayor que la munición civil, como pueden ser el .222 Remington y el .308 Winchester. Existen otras diferencias en la toma de

estrías de la recámara y la presión con la que se suele cargar la munición. Por lo tanto, BERGARA y el Instituto de fabricantes de Armas Pequeñas y Municiones (SAAMI) recomendamos no utilizar munición militar en armas civiles.

12. AJUSTE DEL PESO DEL DISPARADOR

El B14 dispone de un mecanismo de gatillo totalmente ajustable.

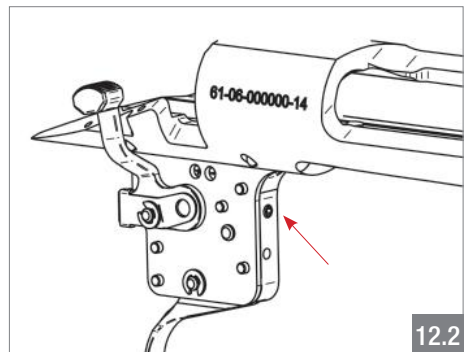
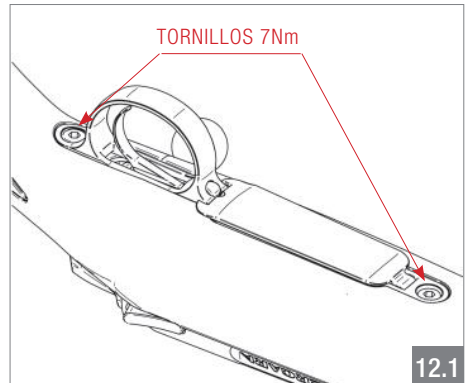
El peso del gatillo predeterminado de fábrica es alrededor de 1,7 kg (3.7 lbs). El ajuste posible está entre 1,3 y 2 kg (2,8-4,4 lb).

Consejo sobre seguridad: No cambie el mecanismo de disparo por otro fabricado por una empresa diferente. Puede que encaje en su arma, pero es posible que no funcione adecuadamente ocasionando que ésta no sea segura. La sustitución del mecanismo de disparo anula la garantía.

Consejo sobre seguridad: El disparador solo debe ser ajustado por un armero cualificado o por la fábrica.

- Para acceder al tornillo de ajuste, es necesario desmontar la culata. Para ello, suelte la bandeja del cargador y desatornille los tornillos del guardamonte (Fig. 12.1). Al quitar la culata, ésta se puede atascar en la carcasa y puede que desmontarla lleve un tiempo.

El tornillo regulador del peso del disparador (Fig. 12.2) ajusta la fuerza necesaria para tirar del disparador.



Consejo sobre seguridad: El disparador solo debe ser ajustado por un armero cualificado o por la fábrica.

13. PRUEBA DE SEGURIDAD DEL DISPARADOR

Después de haber ajustado el disparador, se deberán realizar las siguientes pruebas:

- Cierre el cerrojo lo más rápidamente posible. El indicador del amartillado deberá permanecer visible. Si no es el caso contacte con el Servicio de Asistencia Técnica (SAT) Bergara.
- Compruebe el peso del disparador con una escala de peso. Si el peso del gatillo

es inferior a 1,2 kg (2,8 lbs), incremente el peso del gatillo.

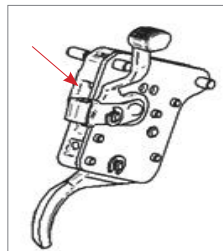
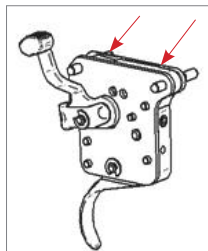
- Simule un tiro y realice un ciclo entero. El indicador rojo del amartillado deberá estar visible. Si no es así, contacte con el servicio técnico

Consejo sobre seguridad: Nunca realice estas pruebas con el arma cargada.

14. MANTENIMIENTO DEL DISPARADOR

Se debe lubricar periódicamente el disparador para una adecuada conservación del mismo.

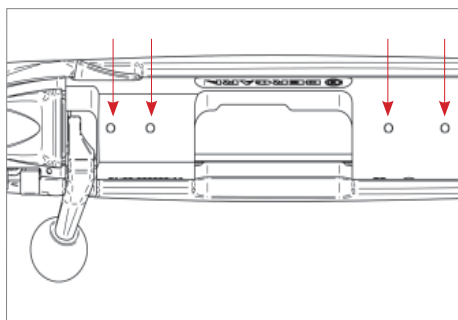
Se recomienda rociar con un lubricante líquido fino y no emplear lubricantes sólidos como la vaselina.



15. MONTAJE DE LA MIRA TELESCÓPICA

La carcasa tiene 4 orificios roscados. Los railes comerciales válidos para el Remington® 700™ encajan en el BERGARA B14. Utilice unas anillas adecuadas en altura.

Al instalar el rail o la anilla de mira, se recomienda utilizar un producto de bloqueo de rosca comparable con Loctite® 242. Esto evitará que la mira se afloje por el retroceso con el paso del tiempo.



15. MONTAJE DE LA MIRA TELESCÓPICA

Para instalar la mira, siga las instrucciones facilitadas por el fabricante de miras.

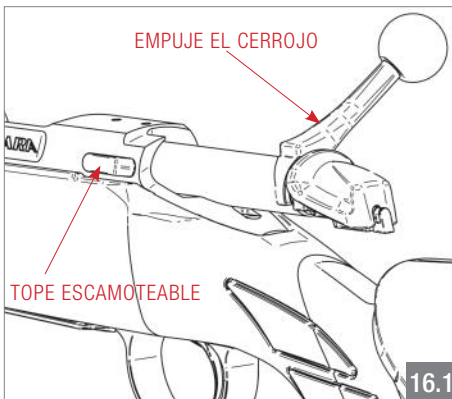
Asegúrese de que utiliza los tornillos de longitud apropiada para fijar los raíles. Los tornillos no deben sobresalir en la parte interior de la carcasa. Normalmente los dos tornillos delanteros suelen ser más largos que los traseros. El intercambio de la posición de los tornillos puede producir problemas en el funcionamiento del arma

Consejo sobre seguridad: Dispare siempre con gafas de protección. No instale la mira demasiado cerca del ojo. Debido al retroceso la mira puede golpear la cara del tirador e lesionarle. Como consejo práctico, compruebe que el puño del tirador cabe entre el ojo y la mira telescópica. Si la distancia ocular de las miras es demasiado corta, cámbiela por una con mayor distancia ocular.

16. DESMONTAJE DEL ARMA PARA SU LIMPIEZA

Al desmontar el arma para su limpieza o inspección, siga los siguientes pasos (**Fig. 16.1**):

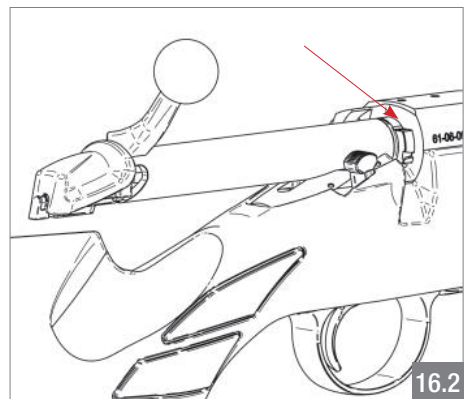
- Vacíe el arma soltando la bandeja del cargador o quite el cargador extraíble.
- Coloque el cerrojo unos 25 mm. (1 pulgada) antes de su tope.
- Presione el desbloqueo del tope escamoteable y retire el cerrojo.



- Verifique que no haya munición, mirando el interior del cañón desde el lado de la recámara.

Para montar el arma desmontada (**Fig. 16.2**):

- Presione el desbloqueo de tope escamoteable e inserte el cerrojo. Gire el cerrojo hasta que se alinee con el canal.
- Compruebe que la bandeja del cargador está cerrada; si no lo está ciérrela.



17. LIMPIEZA Y MANTENIMIENTO

En general, el B14 es un arma de fácil mantenimiento. En esta sección encontrará toda la información necesaria para mantener el rifle a punto.

Tras realizar un disparo con el rifle, si no se limpia adecuadamente antes de 24 horas la corrosión empieza a aparecer en algunos componentes del arma. En entornos húmedos la aparición de la corrosión es aún más probable que en condiciones normales.

Por lo tanto, se recomienda limpiar las siguientes piezas con regularidad, sobre todo después de un día de caza o en el campo de tiro (consulte siempre las instrucciones facilitadas por el fabricante de los productos químicos utilizados):

Cañón

La alta calidad del cañón Bergara de su rifle necesita el cuidado adecuado para mantener la precisión. Debería seguir los siguientes consejos:

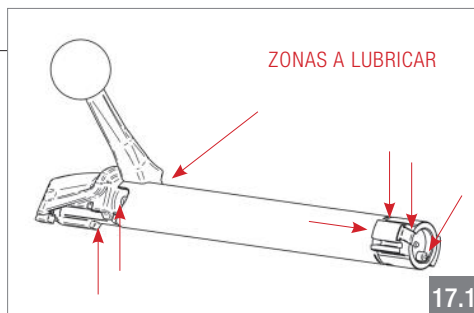
- El sentido de limpieza correcto es desde la recámara hasta la punta del cañón. Limpiar el cañón en sentido contrario afecta seriamente a la precisión.
- Si es posible, utilice una varilla de limpieza de calidad de una sola pieza para evitar dañar el ánima.
- Utilice productos de limpieza adecuados para ayudar a alargar la vida del cañón.
- Intente evitar que se acumule demasiado cobre en el ánima. Reducirá la precisión de manera importante.
- Se recomienda el uso de un cepillo de alta calidad para limpiar el ánima. No utilice cepillos de acero inoxidable.
- Es muy recomendable limpiar también la recámara. Utilice un cepillo adecuado.
- Después de limpiar el ánima, aplique un parche (un cuadrado de tela) empapado con aceite para armas para evitar la oxidación. Pase un parche seco antes de disparar para retirar el aceite y no dañar el ánima.

Importante: los restos de aceite dentro del cañón en el momento del disparo pueden causar sobrepresión.

- Revise periódicamente que la punta del cañón (crowning) no esté dañada, ya que afecta seriamente a la precisión.

Carcasa (acción) y cerrojo

- Limpie el cerrojo completo y el interior de la carcasa con un paño impregnado de un producto adecuado para eliminar los residuos.
- Con un cepillo, limpie la cara del cerrojo y el extractor. Limpie también el área expuesta del mecanismo de disparo y los tetones del cabezal del cerrojo.
- Se debe lubricar o engrasar el cuerpo del cerrojo, los tetones, el canal del amartillado y el fiador. Periódicamente se deberá echar una gota de aceite adecuado en el expulsor y el extractor (*Fig. 17.1 y 17.2*) hasta obtener una finísima película de aceite.



Culata

- Se puede utilizar una brocha fina para eliminar el polvo del exterior.
- La culata sintética se puede limpiar fácilmente con un paño de microfibra humedecido.
- La culata de madera ha sido tratada con aceite en fábrica. Normalmente solo es necesario secarla después de su uso, aunque para conservarla en buen estado es conveniente repararla ocasionalmente con un buen aceite para culatas.
- Después de limpiar, engrase todas las piezas metálicas expuestas del rifle.

18. ALMACENAMIENTO

- Guarde el arma en una caja fuerte, incluyendo algún método para reducir la humedad relativa dentro de la misma.
- De vez en cuando, retire el arma de su lugar de almacenamiento y límpiela.
- Siga las normas legales de almacenamiento de armas.
- Si va a tener el arma durante un tiempo prolongado en el armero guárdelo sin amartillar, con el muelle del percutor en posición de descanso, que no esté comprimido.

19. PREGUNTAS MAS FRECUENTES, CAUSAS Y SOLUCIONES

PROBLEMA	CAUSA	SOLUCIÓN
El arma está cargada, aprieto el gatillo pero no sale el disparo	Munición defectuosa	Pruebe con otra munición
	El percutor no sale lo suficiente o lo hace con poca energía	Contacte con el Servicio de Asistencia Técnica (SAT) Bergara
	Percutor roto	Contacte con el SAT Bergara
El cartucho no entra en la recámara	Munición de calibre incorrecto	Asegúrese que la munición es del calibre que corresponde
	El rifle ya está cargado	Sacar con mucho cuidado la vaina alojada
	Algo está obstruyendo la recámara o la recámara está muy sucia	Limpie cuidadosamente la recámara
	Recámara dañada	Contacte con el SAT Bergara
No puedo bajar la palanca del cerrojo	Recámara sucia (restos de vainas...)	Límpie la recámara y si no se solventa contacte con el SAT Bergara
	Ha utilizado munición de otro calibre	Utilice munición correcta
	Expulsor bloqueado, rígido	Eche aceite, mover a mano y si no se solventa contacte con el SAT Bergara
El arme se dispara al cerrar el cerrojo	Disparador dañado o desajustado	Pare inmediatamente, muy peligroso. Contacte con el SAT Bergara
El arma dispara con el seguro puesto	Cuidado! Muy peligroso. Disparador defectuoso	Contacte con el Servicio de Asistencia Técnica Bergara
El rifle ha disparado pero no extrae la vaina	El extractor no funciona correctamente	Contacte con el SAT Bergara
		Compruebe que el expulsor "mue- llea" correctamente
		Compruebe que el expulsor no está roto
		Si alguna de las dos cosas sucede, contacte con el SAT Bergara
	Vaina defectuosa	Pruebe con otra munición
	Recámara dañada	Contacte con el SAT Bergara

19. PREGUNTAS MAS FRECUENTES, CAUSAS Y SOLUCIONES

PROBLEMA	CAUSA	SOLUCIÓN
No puedo introducir los cartuchos en el cargador	Seguidor mal colocado	Coloque el seguidor correctamente
	Cartuchos mal introducidos	Al introducir el cartucho hay que procurar que el culote toque la parte trasera del cargador. Es decir, hay que empujar la bala hacia abajo y hacia atrás como se indica en la p. 32 de este manual
	Calibre de la munición incorrecto	Asegúrese que el calibre corresponde con el del cañón
El rifle disparado, extrae la vaina pero no la expulsa	Suciedad u óxido en el expulsor	Limpie adecuadamente y lubrique la zona
	El expulsor no funciona correctamente	Compruebe que el extractor "muelle" correctamente Compruebe que el extractor no está roto Si alguna de las dos cosas sucede, contacte con el Servicio de Asistencia Técnica Bergara
No puedo abrir la trampilla inferior del cargador	Suciedad o mantenimiento deficiente	Limpie y después llubrique la zona de la pestaña con aceite en spray
No puedo cerrar la trampilla del cargador	Defecto en el seguidor o en el muelle	Contacte con el SAT Bergara
El rifle no alimenta los cartuchos del cargador	Suciedad o mantenimiento deficiente	Limpie y después llubrique la zona de la pestaña con aceite en spray
	Defecto en el seguidor o en el muelle	Contacte con el SAT Bergara
	Cartuchos mal introducidos en el cargador	Saque las balas y alimente el cargador de nuevo asegurando que las balas se introducen bien según se indica en la pág. 32 de este manual
	Defecto en el seguidor o en el muelle	Contacte con el SAT Bergara

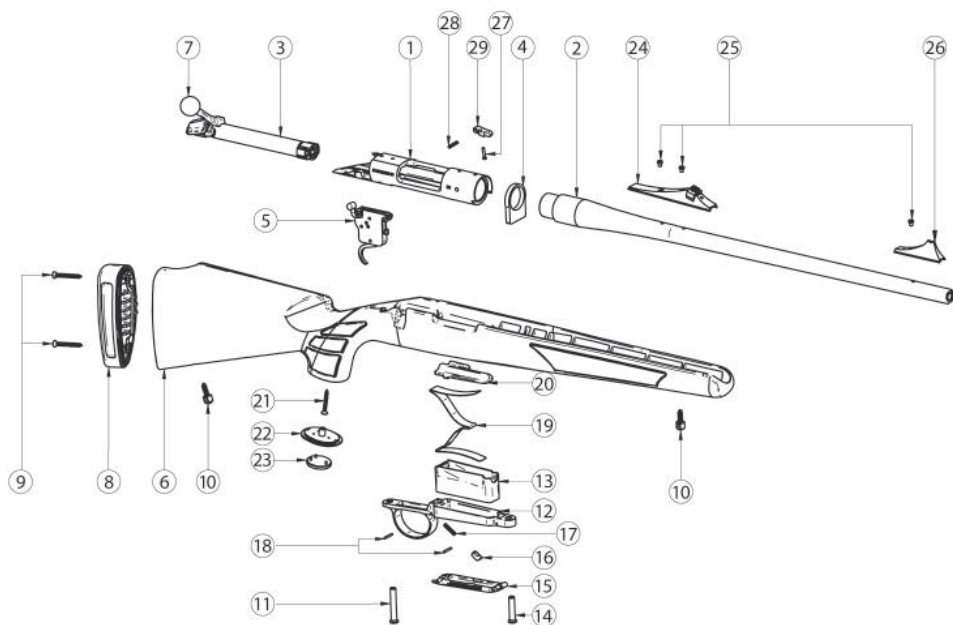
19. PREGUNTAS MAS FRECUENTES, CAUSAS Y SOLUCIONES

PROBLEMA	CAUSA	SOLUCIÓN
El cerrojo se sale sin pulsar la palanca lateral (tope escamoteable)	El tope escamoteable está roto	Contacte con el SAT Bergara
Capuchón trasero girado	Giro accidental cuando el cerrojo estaba fuera	Gire el capuchón hasta su posición con la mano
El disparador está muy duro	Disparador mal ajustado, suciedad o disparador defectuoso	Regulación de la dureza del disparador por un armero cualificado o contacto con el Servicio de Asistencia Técnica Bergara
El movimiento del cerrojo es muy duro	Suciedad, lubricación defectuosa	Saque el cerrojo y limpie cuidadosamente el cerrojo y la acción
	Cerrojo golpeado	Contacte con el SAT Bergara
Se me está oxidando el arma	Mantenimiento inadecuado del rifle	Elimine el óxido y aceite el arma o contacte con el Servicio de Asistencia Técnica Bergara
Cuesta mucho subir la palanca	Suciedad o mantenimiento inadecuado	Limpie y lubrique adecuadamente
	Munición inadecuada que causa sobrepresiones	Utilice munición comercial
	Problema en el mecanismo del rifle	Contacte con el SAT Bergara
Se suelta la bola de la palanca	Rotura de rosca	Contacte con el SAT Bergara
	Loose from its housing	Utilizando un producto de bloqueo de rosca, volver a ajustar la bola

19. PREGUNTAS MAS FRECUENTES, CAUSAS Y SOLUCIONES

PROBLEMA	CAUSA	SOLUCIÓN
El rifle no me agrupa	Munición inadecuada	Pruebe con otra munición
	Munición recargada	Pruebe con otra munición
	¿Se te ha caído el arma?	Verifique el correcto estado del arma y de los elementos de visión. Si todo es OK y no agrupa, contacte con el SAT Bergara para evaluación de daños y garantía
	Suciedad u óxido en el cañón (sobre todo cerca de la boca del cañón)	Limpie adecuadamente el cañón según este libro de instrucciones
	Suciedad en recámara	Limpie adecuadamente el cañón según este libro de instrucciones
	Mira telescópica mal atada (base, anillas, visor)	Asegure que los elementos de puntería están bien atados con un par de 7 Nm
	Golpe en la boca del cañón (crowning)	Contacte con el SAT Bergara
	Accesorios montados en el cañón (excepto miras abiertas o visor)	Desmontar los accesorios que han sido montados al cañón
	Cañón está tocando la culata. Sin flotabilidad	Contacte con el SAT Bergara
	La culata no está bien atada	Asegurar que los tornillos están bien atados
	Disparador muy duro	Contacte con el SAT Bergara
	Recámara dañada	Contacte con el SAT Bergara
	Defectuoso cierre cerrojo-acción-cañón	Contacte con el SAT Bergara

20. DESCRIPCIÓN

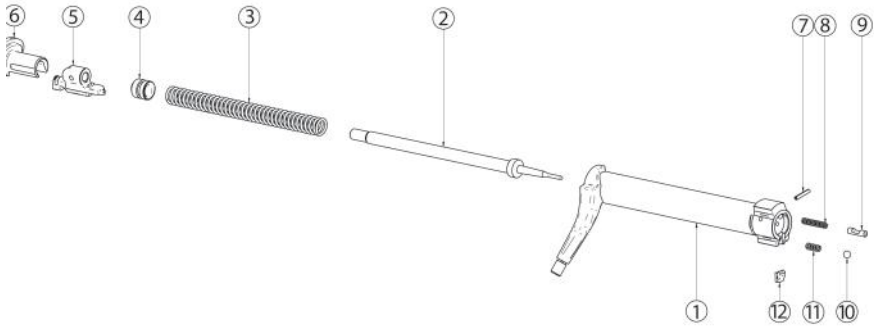


ITEM N°	DESCRIPCIÓN	ITEM N°	DESCRIPCIÓN
---------	-------------	---------	-------------

1	Carcasa	16	Botón apertura cargador
2	Cañón	17	Muelle del botón de apertura
3	Conjunto del cuerpo del cerrojo	18	Pasadores guardamonte
4	Recoil lug	19	Muelle del cargador
5	Mecanismo del gatillo	20	Seguidor
6	Culata	21	Tornillo de fijación del escudo
7	Pomo del cerrojo	22	Escudo
8	Cantonera	23	Tapa del escudo
9	Tirafondo de la cantonera	24*	Conjunto alza
10	Rótula de la portacorrea	25*	Tornillo alza-mira
11	Tornillo trasero de la culata	26*	Conjunto mira
12	Guardamonte	27	Tornillo de retención del cerrojo
13	Cargador	28	Muelle de retención del cerrojo
14	Tornillo delantero de la culata	29	Palanca de retención del cerrojo
15	Bandeja del cargador		

** Alzas y miras disponibles sólo en algunas configuraciones*

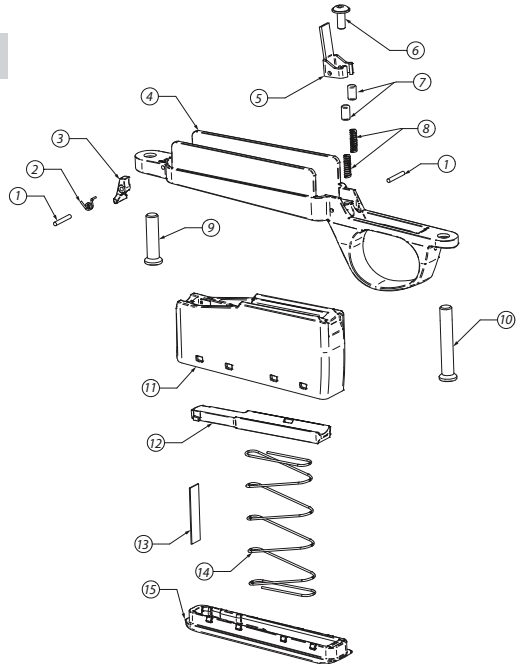
20. DESCRIPCIÓN



ITEM N°	DESCRIPCIÓN	ITEM N°	DESCRIPCIÓN
1	Cuerpo del cerrojo	7	Pasador del expulsor
2	Percutor	8	Muelle del expulsor
3	Muelle del percutor	9	Expulsor
4	Casquillo del percutor	10	Bola del extractor
5	Enganche del percutor	11	Muelle del extractor
6	Cubierta del percutor	12	Extractor

ITEM N° DESCRIPCIÓN

1	Pasador guardamonte
2	Muelle palanca
3	Palanca sujeción cargador
4	Guardamonte cargador
5	Chapa empuje cargador
6	Tornillo regulador
7	Pasador empuje
8	Muelle empuje
9	Tornillo delantero de la culata
10	Tornillo trasero de la culata
11	Cuerpo cargador
12	Seguidor
13	Chapa cargador
14	Muelle cargador
15	Tapa cargador



21. GARANTÍA

Por favor, dirija sus dudas acerca de la garantía a:
Para EEUU /Canada:

Info@bergararifles.com
contact@bergarausa.com

O por correo ordinario a:

DIKAR S. Coop
Urarte, 26
20570 Bergara - Gipuzkoa (Spain)

Bergara North America
BPI Outdoors
1270 Progress Center Ave. Suite 100
Lawrenceville, GA 30043

El rifle B14 está garantizado contra cualquier defecto de fabricación de por vida. Esta garantía se otorga al comprador original y no es transferible. Esta garantía no cubre el uso y desgaste normal, el acabado del metal o la madera, el abuso o mal uso, los daños materiales, el coste de los inconvenientes o la falta de uso.

Esta garantía le otorga ciertos derechos legales y usted puede tener otros derechos que varían de un estado a otro o de un país a otro. Aparte de los supuestos de anulación de garantía recogidos en los diferentes apartados de este manual, la garantía no tiene validez si:

- Terceras personas han realizado reparaciones no autorizadas en este manual.
- El arma es devuelta en condiciones descuidadas (sucia, con corrosión...).
- Se ha utilizado munición militar, munición recargada o no autorizada por el CIP o SAAMI.
- Daños como consecuencia de no haber respetado las instrucciones dadas en este manual.

El arma viene identificada con su número de serie en el lateral de la carcasa o acción.

IMPORTANTE: ¡En caso de devolución, asegúrese de que el arma esté descargada!



Servicio de Asistencia Técnica (SAT):

BERGARA

DIKAR S. Coop

Urarte, 26
20570 Bergara - Gipuzkoa (Spain)
Tel.: +34 943 769 893
info@bergararifles.com
www.bergararifles.com
Facebook: Bergara Rifles Europe
Youtube: bergarainternational

Servicio de Asistencia Técnica EEUU:

Bergara North America

BPI Outdoors
1270 Progress Center Ave. Suite 100
Lawrenceville, GA 30043
800 320-8767
www.bergarausa.com
contact@bergarausa.com
Facebook: Bergara USA
Youtube: Bergara US





Dikar S. Coop

Urate, 26 - 20570
Bergara - Gipuzkoa
(Spain)

www.bergararifles.com
info@bergararifles.com

Facebook: Bergara Rifles Europe
Youtube: bergarainternational

Bergara North America

BPI Outdoors
1270 Progress Center Ave. Suite 100
Lawrenceville, GA 30043

www.bergarausa.com
contact@bergarausa.com

Facebook: Bergara USA
Youtube: Bergara US