

One Year Limited Warranty

This warranty covers defects in materials and workmanship of the product, provided that they are purchased from an authorized distributor and purchased and used in the United States. The warranty lasts for a period of one year from the date of original purchase of the product.

You are entitled to rights under this warranty only if you are the original purchaser of the product and have the original purchase receipt. This warranty is not transferable. We will at our option, repair or replace products that do not conform to this warranty. We may use functionally equivalent reconditioned, refurbished, remanufactured, pre-owned or new products or parts.

This warranty is void if:

- the product has been disassembled, tampered with or parts or screws have been removed or loosened; or
- the product has been abused, maliciously damaged, mistreated or used for a purpose contrary to the purpose for which it was designed or the instructions provided with the product.

For warranty service, please contact your authorized distributor and provide them with a written description of the defect and your original purchase receipt. You must obtain a Return Authorization Number and return procedures with delivery destination before returning the product for repair or replacement.

Disclaimer and Limitation of Liability

Leapers is pleased to offer suggestions of the use of its products, however Leapers neither assumes responsibility for any omissions or errors nor assumes liability for any damages that result from the use of its products in accordance with information provided by Leapers, whether verbal or written.

EXCEPT FOR THE EXPRESS WRITTEN WARRANTY SPECIFICALLY SET FORTH ABOVE, ALL EXPRESS AND IMPLIED REPRESENTATIONS AND WARRANTIES ARE HEREBY DISCLAIMED, INCLUDING ANY IMPLIED WARRANTY OF MERCHANTABILITY, NON-INTERFERENCE, FITNESS FOR A PARTICULAR PURPOSE, NON-INFRINGEMENT, OR WARRANTY OF ACCURACY OF ANY INFORMATION PROVIDED WHETHER WRITTEN OR ORAL. ALL WARRANTIES ARISING FROM ANY COURSE OF DEALING, LAW, USAGE OR TRADE PRACTICE ARE HEREBY EXPRESSLY EXCLUDED TO THE EXTENT ALLOWED BY LAW. TO THE EXTENT AN IMPLIED WARRANTY CANNOT BE EXCLUDED, SUCH WARRANTY IS LIMITED IN DURATION TO ONE YEAR. SOME STATES OR JURISDICTIONS DO NOT ALLOW LIMITATIONS ON HOW LONG AN IMPLIED WARRANTY LASTS, SO THE ABOVE LIMITATION MAY NOT APPLY TO YOU.

UNDER NO CIRCUMSTANCES IS LEAPERS, OR ITS SUPPLIERS OR RESELLERS LIABLE FOR ANY OF THE FOLLOWING EVEN IF INFORMED OF THEIR POSSIBILITY: 1) THIRD PARTY CLAIMS AGAINST YOU FOR DAMAGES; 2) SPECIAL, INCIDENTAL, OR INDIRECT DAMAGES OR FOR ANY ECONOMIC CONSEQUENTIAL DAMAGES; OR 3) LOST PROFITS, BUSINESS REVENUE, GOODWILL, OR ANTICIPATED SAVINGS. SOME STATES OR JURISDICTIONS DO NOT ALLOW THE EXCLUSION OR LIMITATION OF INCIDENTAL OR CONSEQUENTIAL DAMAGES, SO THE ABOVE LIMITATION OR EXCLUSION MAY NOT APPLY TO YOU.

MUB001010911



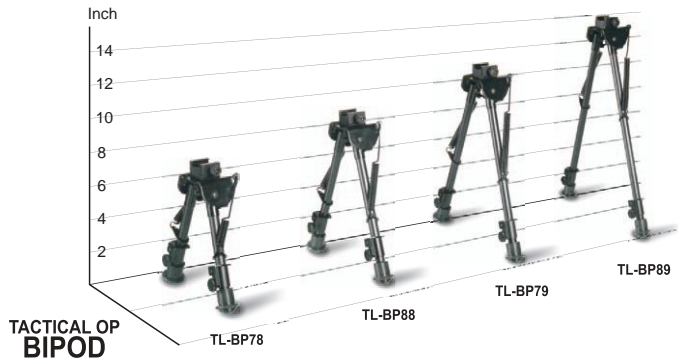
SHOOTER'S
BIPOD

OWNER'S MANUAL

TL-BP88	TL-BP288S	TL-BP18XS
TL-BP79	TL-BP28XST	TL-BP18XST
TL-BP89	TL-BP28S	TL-BP18S
	TL-BP28ST	TL-BP18ST
	TL-BP69S	TL-BP08S
	TL-BP69ST	TL-BP08ST



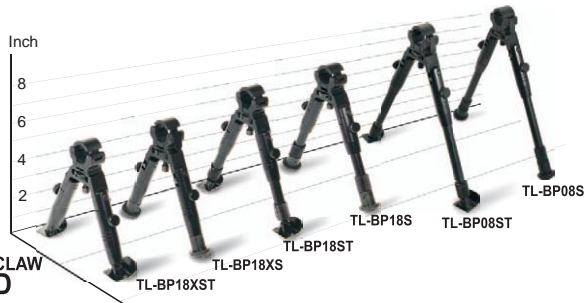
BIPOD SPECIFICATIONS



UNIVERSAL SHOOTER'S BIPOD



DRAGON'S CLAW BIPOD



BIPOD FEATURE TABLE

	Item No.	Mounting Feature			Stand Type		Extendable Legs	Open Angle	Center Height		Leg Length	
		Picatinny	Swivel Stud	Barrel	Rubber	Steel			Min.	Max.	Min.	Max.
TACTICAL OP BIPOD	TL-BP78	✓	✓	–	✓	–	✓	50°	6.1"	7.9"	5.5"	7.4"
	TL-BP88	✓	✓	–	✓	–	✓	50°	8.3"	12.7"	9.7"	12.7"
	TL-BP79	✓	✓	–	✓	–	✓	50°	10.7"	14.3"	10.2"	14.1"
	TL-BP89	✓	✓	–	✓	–	✓	50°	13.7"	23.3"	13.5"	24"
UNIVERSAL SHOOTER'S BIPOD	TL-BP28XS	✓	✓	–	✓	–	–	50°	5.1"	5.1"	5.6"	5.6"
	TL-BP28XST	✓	✓	–	–	✓	–	50°	4.6"	4.6"	5.1"	5.1"
	TL-BP28S	✓	✓	–	✓	–	✓	50°	6.2"	6.7"	6.7"	7.5"
	TL-BP28ST	✓	✓	–	–	✓	✓	50°	5.8"	6.8"	6.3"	7.5"
	TL-BP69S	✓	✓	–	✓	–	✓	50°	8.7"	10.6"	9.5"	11.5"
	TL-BP69ST	✓	✓	–	–	✓	✓	50°	8.2"	10.3"	9"	11.3"
DRAGON'S CLAW BIPOD	TL-BP18XS	–	–	✓	✓	–	–	50°	5.1"	5.1"	5.6"	5.6"
	TL-BP18XST	–	–	✓	–	✓	–	50°	4.6"	4.6"	5.1"	5.1"
	TL-BP18S	–	–	✓	✓	–	✓	50°	6.2"	6.7"	6.7"	7.5"
	TL-BP18ST	–	–	✓	–	✓	✓	50°	5.8"	6.8"	6.3"	7.5"
	TL-BP08S	–	–	✓	✓	–	✓	50°	8.7"	10.6"	9.5"	11.5"
	TL-BP08ST	–	–	✓	–	✓	✓	50°	8.2"	10.3"	9"	11.3"



UTG TACTICAL OP BIPOD

PICATINNY & SWIVEL STUD MOUNT



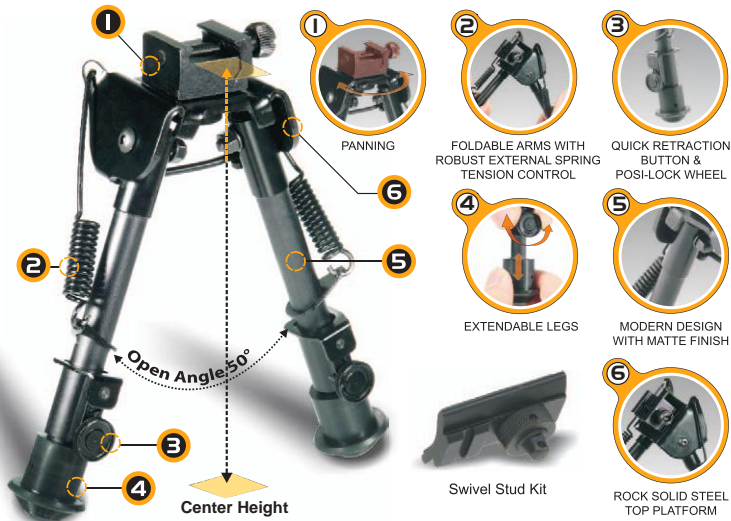
SWIVEL STUD MOUNT



PICATINNY MOUNT

- High Tech Durable Aluminum Construction and Steel Top Platform
- Clever Dual Mounting - Picatinny Mount and Swivel Stud Mount
- Foldable Arms with Robust External Spring Tension Control
- Fully Adjustable Legs with Posi-lock Wheel & Quick Retraction Button

Feature Illustration



UTG UNIVERSAL SHOOTER'S BIPOD

UTG PICATINNY & SWIVEL STUD MOUNT

SWIVEL STUD MOUNT



PICATINNY MOUNT



- High Tech Durable Aluminum Construction
- Clever Dual Mounting Systems - Picatinny Mount and Swivel Stud Mount
- Unique Posi-Lock to Prevent Tipping
- Tactical Low Profile for Versatile Applications

Feature Illustration



PANNING



POSI-LOCK FEATURE TO PREVENT TIPPING



EXTENDABLE LEGS



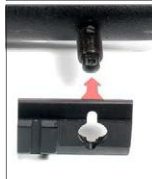
STURDY FOLDABLE ARM



STEEL COMBAT STAND OR RUBBERIZED COMFORT STAND



SWIVEL STUD MOUNT INSTALLATION INSTRUCTION



PICATINNY MOUNT INSTALLATION INSTRUCTION



Loosen the Thumb Nut and fit the cross bar in the mounting base into a Picatinny rail slot. Tighten the Thumb Nut securely.

UTG DRAGON'S CLAW BIPOD CLAMP-ON BARREL

- High Tech Durable Aluminum Construction
- Clever Adjustment Wheel for Wide Range of Barrel Sizes- 11mm to 19mm
- User Friendly Spring Operated Clamp-On Feature
- Unique Posi-Lock to Prevent Tipping
- Tactical Low Profile for Versatile Applications

Feature Illustration



1 POSI-LOCK FEATURE TO PREVENT TIPPING



2 EXTENDABLE LEGS



3 STURDY FOLDABLE ARM



4 STEEL COMBAT STAND OR RUBBERIZED COMFORT STAND

CLAMP-ON INSTALLATION INSTRUCTION



Clamping Deck



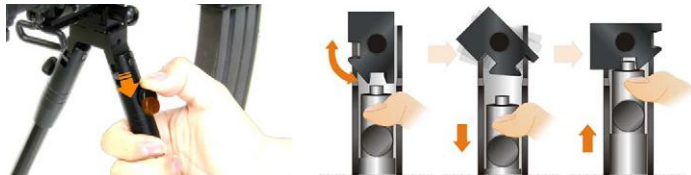
Adjustment Wheel

Spring Controlled Barrel Ring

Fits Barrel Size From 11mm to 19mm

- Reset the Clamping Deck to the lowest position.
- Push the Spring Locking Switch and fully open up the top half of the ring.
- Fit the barrel into the opening and relock the top half of the ring. You should hear the snap sound of the Spring Locking Switch when its fully locked.
- Turn the Adjustment Wheel to raise the Clamping Deck until the barrel is tightened securely.
- Fully check and make sure the bipod is completely locked onto the barrel before using.

POSI-LOCK OPERATING INSTRUCTION



- Press the Posi-lock Knob downward along the arm toward the direction of the bipod stand.
- Swing the bipod arm to either fold or un-fold while holding down the Posi-lock Knob.
- Release the Posi-lock Knob to lock the arm in place.