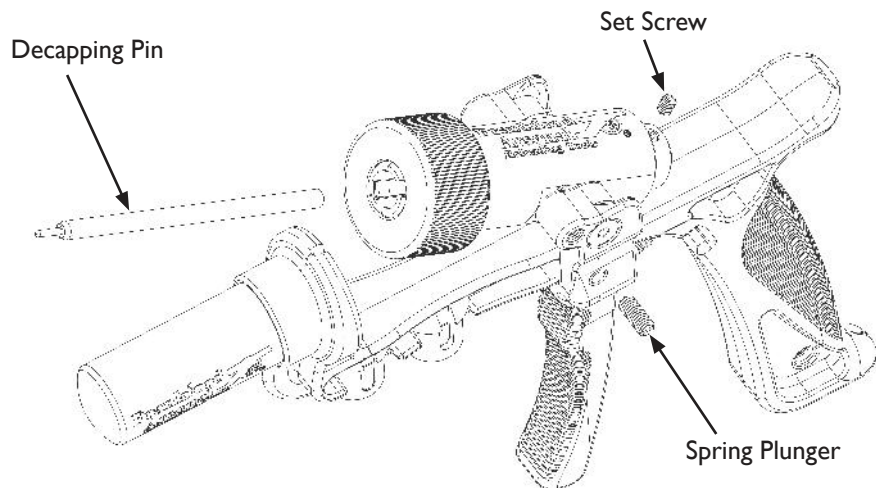


CHANGING THE DECAPPING PIN



1. Remove the set screw in the back of the case holder
2. Remove the old decapping pin
3. Remove all debris in the decapping pin hole in the case holder (blow out with compressed air). This ensures that the new decapping pin can be installed to the full depth.
4. Insert the new decapping pin until the pin bottoms out
5. Reinstall set screw

ADJUSTING THE AUTO-EJECT CASE HOLDER SPRING DETENTS

1. There are 2x spring plungers that lift the case holder up at an angle when the lever is released. These plungers may need to be adjusted over extended use.
2. The plungers have thread-locker installed, so first remove the plungers and reapply medium strength thread-locker
3. Tilt the case holder up, as shown above, and reinstall the plungers with enough tension to hold the case holder at an angle
4. Test the plunger tension by pushing the case holder down and squeezing the lever and releasing (case holder should be lifted by the plungers, as shown above). Readjust plungers as needed until the case holder lifts and holds at an angle as shown above (the angle should allow enough clearance to remove and install a case)

**Frankford
Arsenal**
Reloading Tools

HAND DEPRIMER

Instructions #1048594

Product #909283

Revision A



STOP!

If you have a problem with this product, **DON'T RETURN IT TO THE STORE WHERE YOU PURCHASED IT.** Contact customer service at...

Battenfeld
Technologies, Inc.

2501 LeMone Industrial Blvd. / Columbia, MO 65201
573-445-9200 / Email: sales@battenfeldtechnologies.com
Or visit our website @ www.BTIbrands.com

NOT WARRANTED AGAINST MISUSE, ABUSE, OR COMMERCIAL USE.

Limited Warranty

Every Frankford Arsenal product is warranted to be free of defects in materials and workmanship for a period of one (1) year from the date of original purchase. Frankford Arsenal will, at its option, repair or replace without charge, except for transportation costs, parts that fail under normal use and service when operated and maintained in accordance with our Instructions. This warranty does not apply to normal wear or to items whose life is dependent upon their use and care. This warranty is in lieu of all other warranties, expressed or implied and releases Frankford Arsenal, its affiliates, and its vendors from all other obligations and liabilities.



WARNING: IMPORTANT SAFETY INFORMATION!

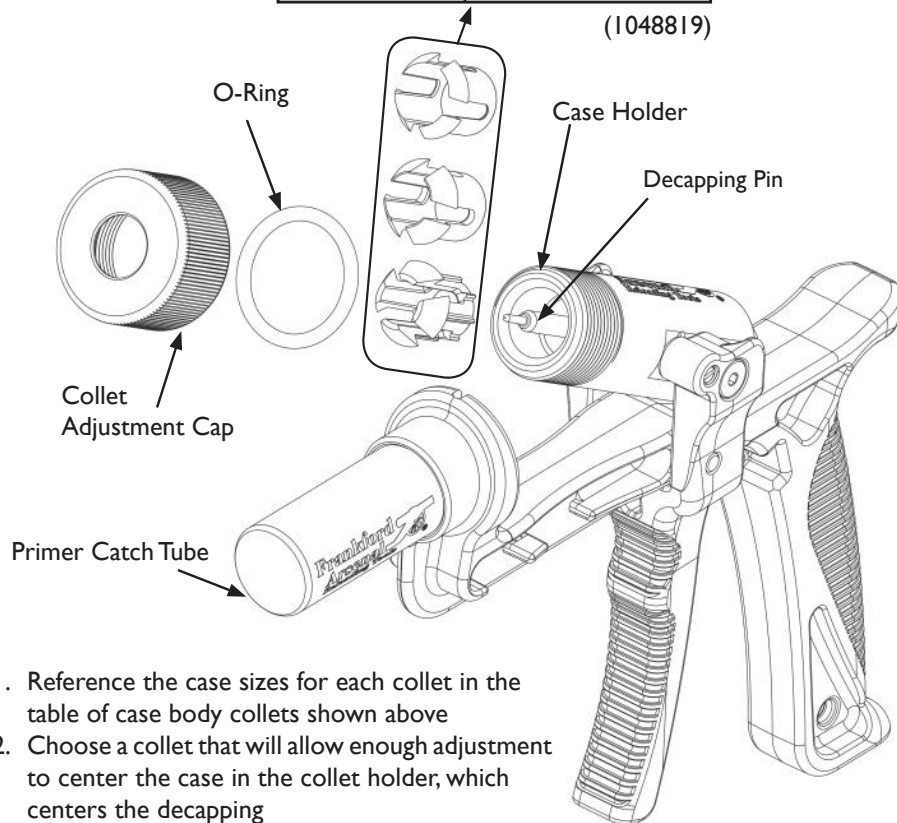
- Always practice safe firearm handling
- Always hold the forend of the firearm when shooting off of this shooting rest or any rest. If it is not held, the recoil can cause the forend to jump out of the front bag, possibly causing damage to the firearm or injuring the shooter.

SELECTING THE RIGHT SIZE COLLET

3 Piece Case Body Collets Set

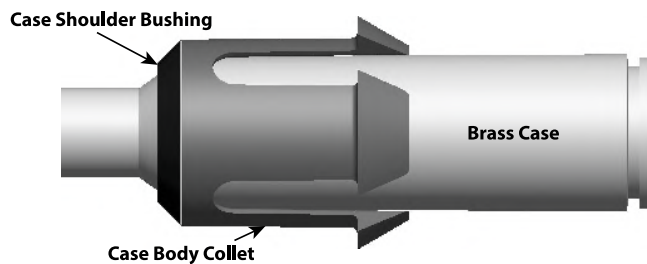
Collet Size	Case Sizes
Small	.223 Rem
Medium	.308 Win/.30-06
Magnum	Magnum

(1048819)



1. Reference the case sizes for each collet in the table of case body collets shown above
2. Choose a collet that will allow enough adjustment to center the case in the collet holder, which centers the decapping pin to the flash hole and used primer
3. During adjustment the collet adjustment cap will compress the collet and eliminate any side-to-side play of the case while depriming

TIP: Slide collets over case to choose a collet that fits around the case.



ADJUSTING THE COLLET

1. Insert the correct collet into the case holder
2. Install the collet adjustment cap
3. Insert a case
4. Tighten the collet adjustment cap until the case cannot move sideways but is still easy to insert and remove from the case holder

USING THE HAND DEPRIMER

- STEP 1** - Insert the case into the case holder
- STEP 2** - Flip the case holder down into the depriming position
- STEP 3** - Squeeze the lever to deprime the case, and release the lever to allow the case holder to auto eject
- STEP 4** - Remove the case
- STEP 5** - To dump spent primers remove Primer Catch Tube by twisting and pulling

TIP: Keep Hand Deprimer oriented down to prevent primers from falling out of the Primer Catch Tube.

