



B **BERGARA**[®]
OUR BARRELS MAKE THE DIFFERENCE

B-14

OWNER'S MANUAL
MANUAL DE USUARIO
BENUTZERHANDBUCH
MANUEL D'USAGE

CONTENTS

EN

| | |
|--|-------|
| 1. Introduction | 4 |
| 2. General safety | 5-6 |
| 3. Before firing the rifle | 7 |
| 4. Loading the rifle | 8 |
| 5. Loading the ammunition into a detachable magazine | 8 |
| 6. Functioning of detachable magazine system | 9 |
| 7. Assembly of detachable magazine kit | 9 |
| 8. Firing the rifle | 10-11 |
| 9. Breaking in the barrel | 12 |
| 10. Removing a bullet stuck in the bore | 12 |
| 11. Use of military ammunition | 12 |
| 12. Trigger pull adjustment | 13 |
| 13. Testing a trigger setting for safety | 14 |
| 14. Maintenance of the trigger | 14 |
| 15. Mounting the scope | 14-15 |
| 16. Field strip | 15 |
| 17. Cleaning and maintenance | 16-17 |
| • Barrel | 16 |
| • Receiver and bolt | 17 |
| • Stock and forend | 17 |
| 18. Storage | 17 |
| 19. B14 BMP model | 18-19 |
| • Stock regulation | 18 |
| • Loading the rifle | 19 |
| 20. B14 BMP model description | 20-21 |
| 21. B14 HMR model | 24 |
| • Stock regulation | 18 |
| • Loading the rifle | 19 |
| 22. B14 HMR model description | 24 |
| 23. FAQs, causes and solutions | 18-21 |
| 24. General description | 22-23 |
| 25. Warranty | 24 |

1. INTRODUCTION AND GENERAL SAFETY

Thank you for buying a Bergara B14 bolt action rifle.

We hope that this firearm is up to your expectations, serves you as intended and gives you years of satisfaction.

Please read this manual. There are many features that the user must familiarize with to safely use this firearm.

The future of shooting sports depends on you.

Accidents, misuse of firearms etc. are portrayed as reasons to ban shooting sports in general and firearms in particular. Please be responsible, promote safety and listen to safety advices from other fellow shooters.

If after reading the instructions, warnings and risks detailed in this manual you are not ready to accept the responsibility involved in handling and shooting a firearm safely, return the gun to where you bought it.

All security measures should be taken into account for the safe use of the firearm.

2. GENERAL SAFETY

10 Safety rules for handling your firearm

- 1 Always keep the muzzle pointed in a safe direction, even when the rifle is unloaded.
- 2 Be sure of your target and of what is behind it before aiming at anything.
- 3 Never trust the mechanical safety catch of a firearm.
- 4 The firearm must be unloaded until the moment of use.
- 5 Always use eye and ear protection.
- 6 The barrel must be free from any obstruction before loading and firing.
- 7 Handle every firearm as if it were loaded.
- 8 Store firearms and ammunition separately and in an enclosed, locked area.
- 9 Avoid the consumption of alcohol and drugs before and while using a firearm.
- 10 Do not alter or modify your firearm. Make sure your firearm is serviced regularly by a competent gunsmith. Make sure all the parts are working properly before each use.

2. SAFETY CONSIDERATIONS FOR ALL FIREARMS

- Never smoke while you are shooting or handling a firearm or related material. The ashes or sparks can ignite the gunpowder or cartridges, causing personal injury or death.
- Always use eye protection. It is possible that sparks fly from the breech or the muzzle when we use a rifle.
- Always check the rifle before using it to ensure it is in good working order. Test the trigger and the release system carefully before loading. Make sure that the barrel is not obstructed. Any obstruction can cause the barrel to rupture, resulting in serious injury or death.
- Never load a firearm until you are ready to shoot. You must remove the cartridge when walking, climbing trees or fences, passing the firearm from one person to another, jumping a wall or fence, etc.
- Never lean a firearm against a wall, a tree, a vehicle or any other surface. If a loaded firearm falls it may cause the weapon to accidentally fire, causing serious injury or death.
- Never transport a loaded firearm in any type of vehicle. The firearm is considered to be loaded all the while that the cartridge remains in the chamber.
- Never store a loaded firearm. The firearm must be unloaded and cleaned before any type of storage.
- Never load a firearm without first ensuring that the barrel is clean and unobstructed. If the firearm falls to the floor by accident, check that the barrel has not become obstructed.
- Be very careful when hunting from a position in a tree. If a loaded firearm accidentally falls it may cause the weapon to fire, causing serious injury or death. Make sure the firearm is unloaded before climbing up or down from a tree.
- Never trust the mechanical safety catch! Mechanical devices can and do fail. Firearms must always be handled as if they were ready for shooting, regardless of the position or the mechanical condition of the safety catch.
- Always follow the proper cleaning procedures. Shooting a firearm that is poorly maintained or corroded can lead to dangerous pressure and/or cause the barrel to explode, causing serious injury or death.
- Never point the barrel at anything you do not wish to see damaged. When carrying the firearm on your shoulder, make sure that the barrel is pointing upwards.
- Never try to modify the inner parts of your firearm. Doing so may cause a dangerous situation, provoking an accidental discharge of the weapon and causing serious injury or death. These alterations will generally void the warranty.
- Never leave the firearm unattended or in the reach of children. In some countries it is punishable by law.

3. BEFORE FIRING THE RIFLE

Familiarize yourself with the rifle. Learn how it works and how to use it without ammunition.

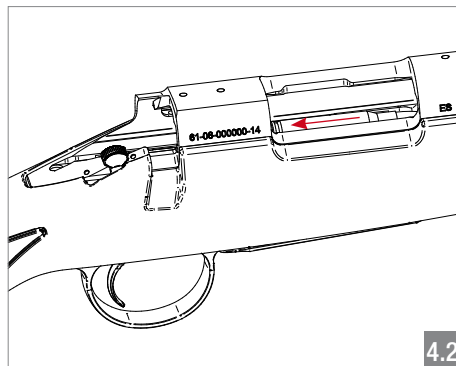
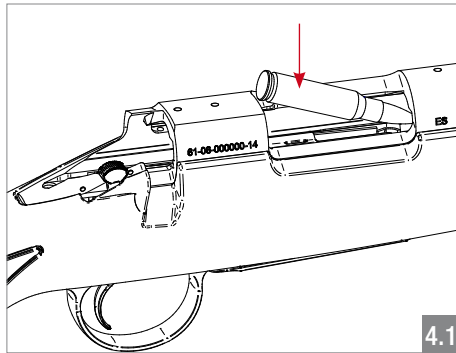
Recommendations before using the rifle:

- The rifle comes packed with the bolt detached from the action. Before assembling the bolt, check that the rifle is not loaded, i.e. that there is no casing in the chamber or obstruction in the bore.
- Make sure that there is no cartridge in the magazine.
- Clean the barrel on the inside as shown in the section on “cleaning and maintenance”.
- Wipe off the excess oil from the bolt and the receiver area.
- Insert the bolt into its action as shown under “dismantling of the firearm components for cleaning purposes” in this manual.
- Check the trigger for proper function by dry firing several times.
- After completing the above steps, you can load the firearm as shown in the following section of this manual.
- The first time a firearm is fired, it is recommended to break in the barrel. This process is described in the section “Breaking in the barrel”.

4. LOADING THE RIFLE

The B14 is used as follows:

Load the magazine from the upper side with the correct ammunition. Push the cartridge down into the magazine (Fig. 4.1) and pull it back when it is inside (Fig. 4.2). The capacity of the magazine is 4 cartridges + 1 in the chamber for standard calibers and 3 cartridges + 1 in the chamber for magnum calibers. If these actions are not performed correctly you may have problems with the performance of the rifle.

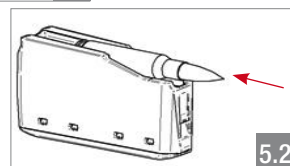
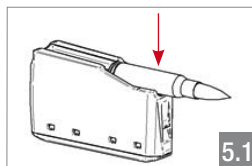


Safety advice:

Double check that the ammunition being loaded is the correct type. The barrel of the rifle has the caliber marked on the side. Shooting ammunition of a different caliber to that marked on the barrel is very dangerous and can cause very serious accidents.

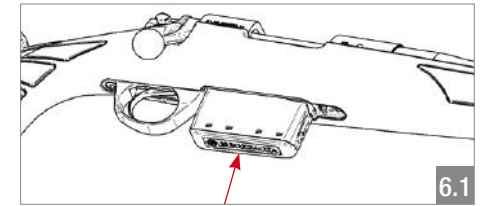
5. LOADING THE AMMUNITION INTO A DETACHABLE MAGAZINE

Load the magazine from the upper side with the corresponding ammunition. Push the cartridge down (Fig. 5.1) and once it leans on the front side of the magazine slide it back (Fig. 5.2). The capacity of the magazine is 3 cartridges for standard calibers and 2 cartridges for magnum calibers. Functioning problems may happen if these steps are not followed.

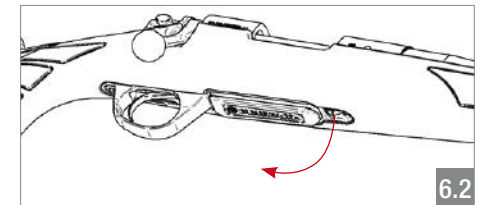


6. FUNCTIONING OF DETACHABLE MAGAZINE SYSTEM

To install the magazine push it to the top, inside the trigger guard, being the ammunition exit side up. (Fig. 6.1)



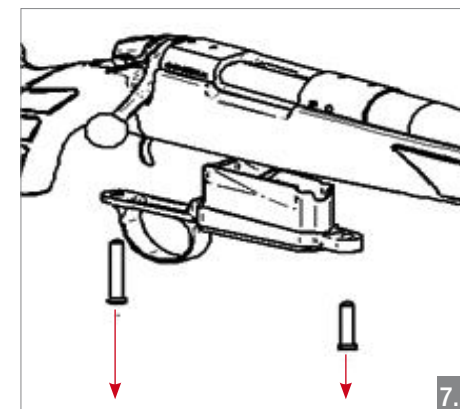
To release the magazine pull the lever located on the front side of the trigger guard. (Fig. 6.2)



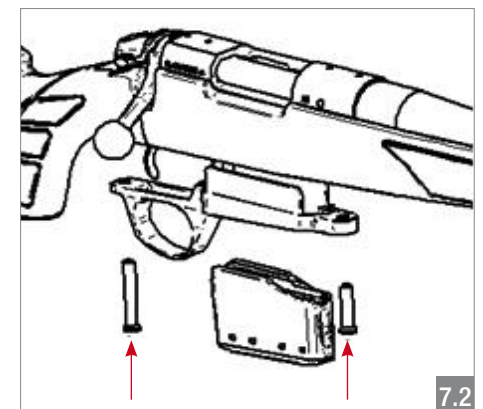
7. ASSEMBLY OF DETACHABLE MAGAZINE KIT

A detachable magazine kit is available for floor plate B14 rifles. Follow the following steps for the correct assembly of this kit.

- Unscrew the floorplate and extract it with all its pieces. (Fig. 7.1)



- Install the new trigger guard and screw it to the rifle with the screws supplied in this kit (Fig. 7.2). The torque for these screws 6,2Nm (55lbs in).
- Install the magazine in the trigger guard.



8. FIRING THE RIFLE

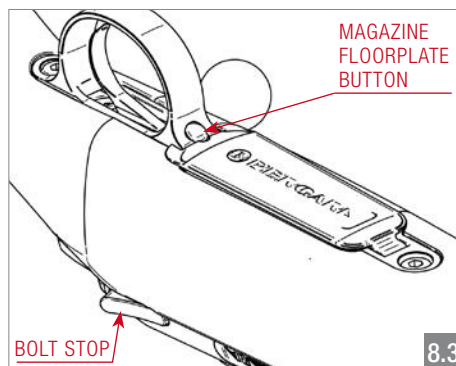
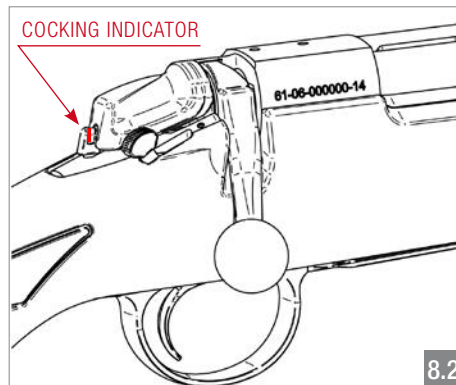
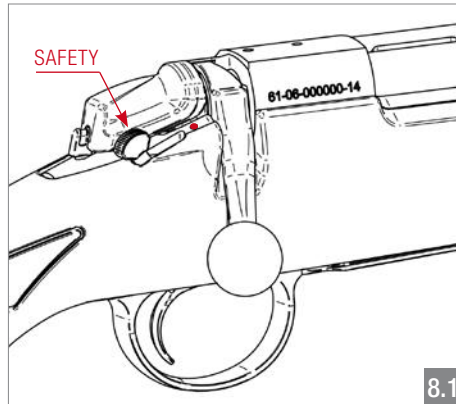
- Remove the bolt and make sure the firearm is not loaded. Also verify that nothing is obstructing the bore. Make sure the magazine floor plate is closed.
- The safety catch cannot be activated if the bolt handle is in the down position and the firing pin is not cocked. Having lifted the bolt handle you can now activate the safety catch of the rifle. Therefore, put the safety catch on once the bolt handle is up and before inserting a bullet into the chamber. The rifle is put into the safe position by pushing the safety catch back, towards the white dot. (Fig. 8.1)
- Close the bolt. Check the red cocking indicator. (Fig. 8.2)

Safety advices:

When you load the firearm make sure you have lowered the bolt handle right down to the stop.

*If you close the bolt and the cocking indicator does not protrude, do not use the rifle. Take the firearm to a qualified gunsmith or contact **Bergara Customer Service**.*

- When you are ready to shoot, disengage the safety catch (lever forward) and gently pull the trigger.



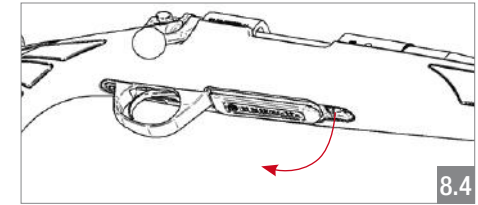
8. FIRING THE RIFLE

Safety advices:

If on pulling the trigger of a loaded firearm the rifle does not fire, point the rifle in a safe direction and wait 30 seconds before opening the bolt. The bolt must be opened very carefully.

*If you suspect you have made a defective shot and that the bullet has not left the barrel, remove the bolt and check it. This situation can occur because the gunpowder has deteriorated, does not burn or only partially burns. Take the rifle to a qualified gunsmith or contact **Bergara Customer Service**.*

- Once fired, open the bolt, pull back as far as the stop, then push forward and close



the bolt. Make sure the rifle ejects the used cartridge. It is important to pull the bolt all the way back and not just a short way as this could jam the firearm.

- To empty the ammunition from the firearm, remove the bolt from receiver and then remove the ammunition by pressing the button on the magazine floorplate (Fig. 8.3) or remove the detachable magazine. (Fig. 8.4)
- Make sure that there is no cartridge in the chamber.

9. BREAKING IN THE BARREL

During manufacturing, microscopic imperfections are created in the bore of the barrel. These imperfections are smoothed after several rounds of shots. If these imperfections are removed correctly, the barrel will foul less, will be easier to clean, will be more uniform and will become more accurate.

The process of removing these imperfections is called "Breaking in the barrel". The process involves firing a shot or a series of shots and then cleaning the bore.

Allow the barrel to cool down before you start cleaning.

Recommended breaking in process:

- For the first 5 shots clean the rifle after each shot.
- For the next 50 shots clean the rifle after every 10 shots.
- For subsequent shots clean the rifle frequently.

10. REMOVING A BULLET STUCK IN THE BORE

Safety advice: Do not try to remove the bullet that is stuck by firing again, because the pressure created can destroy the firearm injuring the shooter. Take this to a qualified gunsmith or contact **Bergara Customer Service**.

11. USE OF MILITARY AMMUNITION

Military ammunition, such as the 5.56 NATO and 7.62 NATO, is not completely interchangeable with commercial ammunition, such as the .223 Remington and .308 Winchester. There are other differences in the dimensions

of the chamber and the pressure with which the ammunition is usually loaded. Therefore BERGARA and the SAAMI do not recommend using military ammunition in civilian firearms.

12. TRIGGER PULL ADJUSTMENT

The B14 features a fully adjustable trigger mechanism. The trigger pull is pre-set at the factory at about 1 kg (2.2 lbs). The possible adjustment is between 1 kg (2.2 lbs) to 2 kg (4.4 lbs) in all models.

Safety advices:

Do not change the trigger mechanism for one made by another manufacturer. It may fit in your firearm but it may not work properly, causing it to be unsafe. The replacement of the firing mechanism voids the warranty.

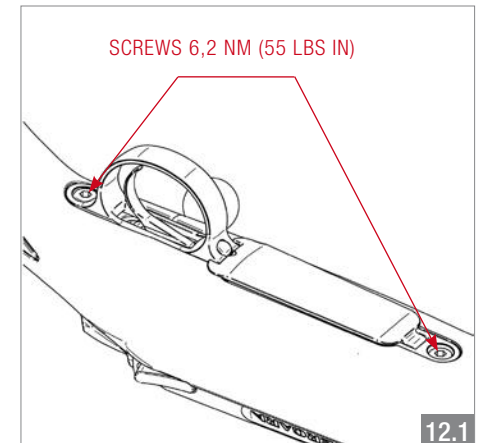
The trigger must be adjusted by a qualified gunsmith or the factory only.

- To access to the adjustment screw you will have to remove the stock. To do this, release the magazine tray and unscrew the screws of the trigger guard (Fig. 12.1). When removing the stock it can become jammed in the receiver and removing it may take a while.

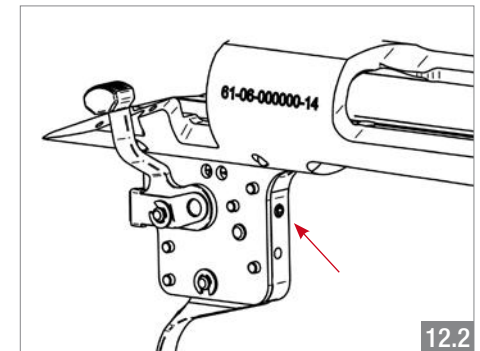
- The adjusting screw for trigger pull (Fig. 12.2) adjusts the force required to pull the trigger.

Safety advice:

A trigger that is too light can cause an accidental discharge.



12.1



12.2

Do not touch any other screws since it can be dangerous.

13. TESTING A TRIGGER SETTING FOR SAFETY

After having the trigger adjusted the following tests should be made:

- Close the bolt as fast as possible. The cocking indicator should remain visible. If this is not the case, contact Bergara Customer Service.
- Check the trigger pull with a trigger pull weight scale. If the trigger pull weight is

less than 1kg (2.2lbs), increase the trigger pull.

- Simulate a shot and do a full cycle. The red cocking indicator should be visible. If not, contact technical service.

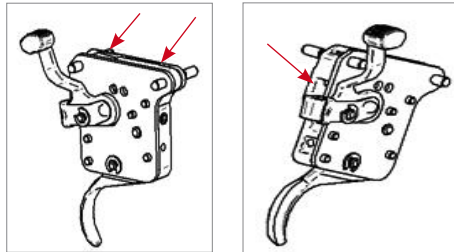
Safety advice:

Never perform these tests with the firearm loaded.

14. MAINTENANCE OF THE TRIGGER

The trigger must be lubricated periodically for proper conservation.

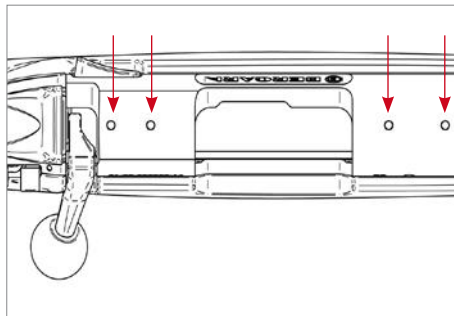
We recommend to spray a thin liquid lubricant. Do not use solid lubricants such as vaseline.



15. MOUNTING THE SCOPE

The receiver has 4 threaded holes. Commercially available scope bases suitable for the Remington® 700™ rifle will fit the BERGARA B14. Use rings of appropriate height.

When you install the scope ring or rail, we recommend using a thread locking product comparable to Loctite® 242. This will prevent the scope from loosening over time due to the recoil.



15. MOUNTING THE SCOPE

To install the scope, follow the instructions provided by the scope manufacturer.

Make sure you use the proper length screws for the scope mounts. The screws should not protrude inside the receiver. The rear screws are sometimes longer than front screws. Changing the position of these screws may cause problems the performance of the rifle.

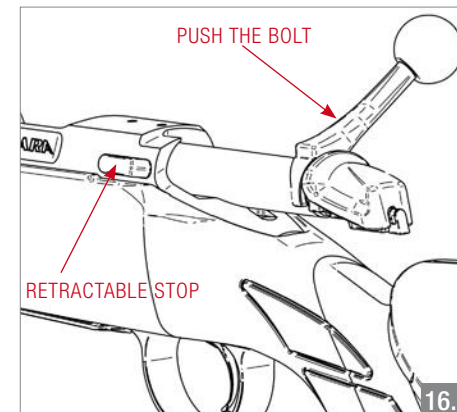
Safety advice:

Always wear protective glasses when firing. Do not install the scope too close to the eye. Due to the recoil the scope can hit the shooter's face and cause injury. As practical advice, check that your fist can fit between your eye and the scope. If the eye relief is too short, replace it for one with greater eye relief.

16. FIELD STRIP

To dismantle the gun for cleaning or inspection, take the following steps (Fig. 16.1):

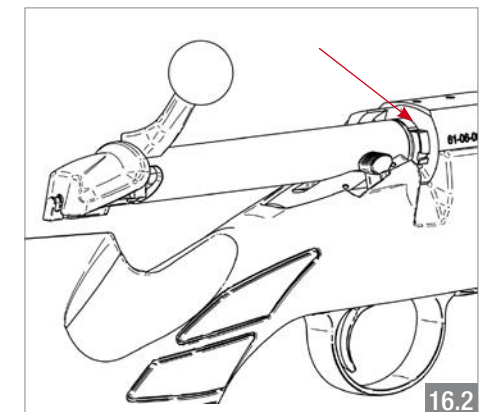
- Unload the rifle by releasing the floorplate or remove the detachable magazine.
- Position the bolt about 25 mm (1 inch) before the stop.
- Push the release of the retractable stop and remove the bolt.



- Verify there is no cartridge in the chamber or the bore, looking through the barrel from the chamber side.

To assemble the dismantled rifle (Fig. 16.2):

- Press the release of the retractable stop and insert the bolt. Rotate the bolt until it aligns with the channel.
- Make sure the floorplate is closed, if not, close it.



17. CLEANING AND MAINTENANCE

In general, the B14 rifle is easy to maintain. In this section you will find all the information required to keep the rifle in good shape.

After firing a shot with the rifle, if it is not cleaned properly within 24 hours corrosion will start to appear in some of the components of the firearm. In humid environments the appearance of corrosion is even more likely than in normal conditions.

We therefore recommend that you clean the following parts regularly, especially after a day of hunting or on the shooting range (always refer to the instructions provided by the manufacturer of the chemical products used):

Barrel

The high quality of the Bergara rifle barrel requires proper care to maintain its accuracy. This advice should be followed:

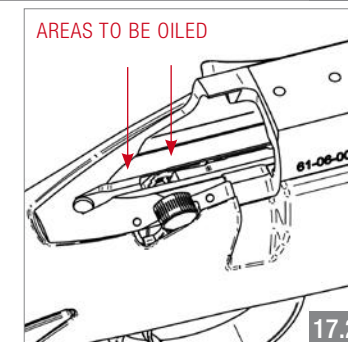
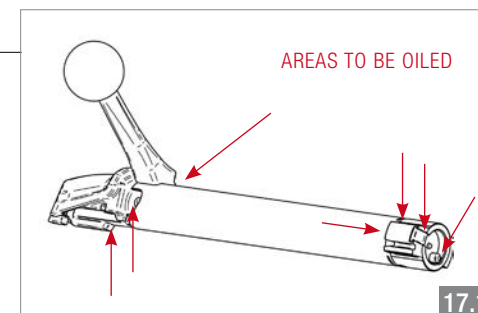
- The correct direction for cleaning is from the chamber to the muzzle. Cleaning the barrel in the opposite direction seriously affects the accuracy.
- If possible, use a quality, one piece cleaning rod to avoid damaging the bore.
- Use suitable cleaning products to help prolong the life of the barrel.
- Try to avoid the accumulation of too much copper in the bore. It will significantly reduce the accuracy.
- Use a high quality brush for cleaning the bore. Avoid stainless steel brushes.
- It is highly recommended to also clean the chamber. Use a suitable brush.
- After cleaning the bore, apply a patch (a cloth square) soaked in gun oil to prevent rust. Run a dry cloth through it before shooting to remove the oil and not damage the bore.

Important: Traces of oil inside the barrel at the moment of firing can cause overpressure.

- Check the crowning regularly for damage because this can seriously affect the accuracy.

Receiver and bolt

- Clean the entire bolt and the inside of the receiver with a cloth impregnated with a suitable product to remove residues.
- Using a brush, clean the bolt face and extractor. Also clean the exposed area of the firing mechanism and the bolt head lugs.
- The body of the bolt, the lugs, the cocking channel and the safety catch must be lubricated or greased. Periodically, a drop of suitable oil should be placed on the ejector and the extractor (*Fig. 17.1 y 17.2*), until we get a very thin film of oil.



Stock

- A fine brush can be used to remove dust from the outside.
- The synthetic stock is easily cleaned with a damp microfiber cloth.
- The wooden stock has been treated with oil at the factory. Generally speaking it is only necessary to dry it after use, however, to keep it in good condition it is desirable to occasionally apply a good stock oil.
- After cleaning, lubricate all the exposed metal parts of the rifle.

18. STORAGE

- Store your gun in a safe including a method for reducing the relative humidity.
- From time to time, remove the rifle from its storage location and clean it.
- Follow the legal regulations regarding storage of firearms.
- If you are going to keep the rifle in the gun rack for an extended time, store it uncocked, with the firing pin spring in the resting position, i.e. not compressed.

19. B14 BMP MODEL

The BMP (Bergara Mach Precision) stock has been manufactured from aeronautic 7075 aluminum to ensure the correct performance during the use. This section contains the details you need to know about the BMP stock.

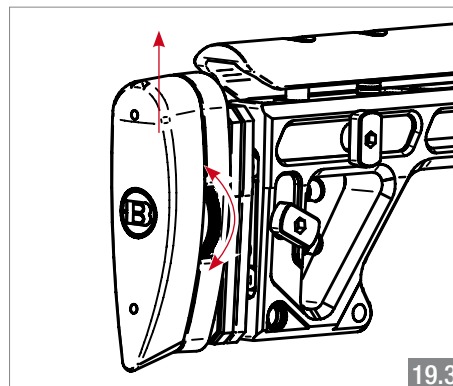
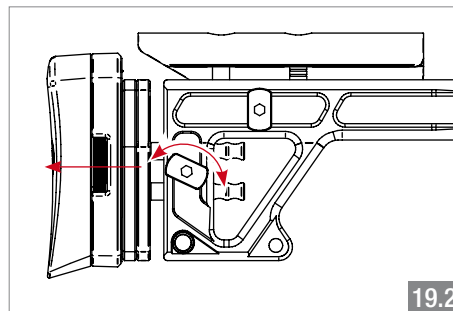
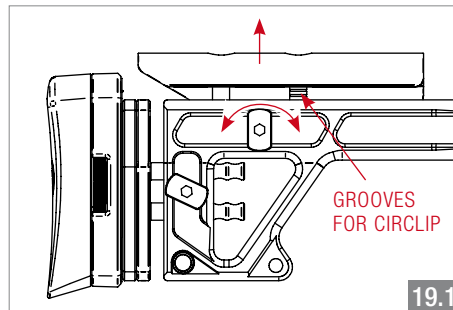
Stock regulation

BMP stock has 3 adjustment systems that allows the user to adapt it to physical complexion and the shooting position of the shooter.

- The check piece is easily adjustable in height. Turn the regulation screw to the left to free the check piece, move the check piece to the position needed and tighten screw to lock the system again. To place the check piece in the same position after pulling it completely out the front guide has groves for circlip. (Fig. 19.1)
- This rifle has 5 options for length of pull. Turn the regulation screw to the left to free the system, move the recoil pad to the best of 5 positions and then lock the system turning the regulation screw to the right. (Fig. 19.2)
- The orientation and height of the recoil pad can be adjusted for the user need. Turn the knob to the left to free the recoil pad, put it in the correct position and turn the screw to the right to lock the system again. (Fig. 19.3)

The BMP stock allows to assembly some AR-15 components on it:

- Grip.
- Rear (assembling an adapter).
- Many accessories (picatinny rails, bipod...)



19. B14 BMP MODEL

Loading the rifle

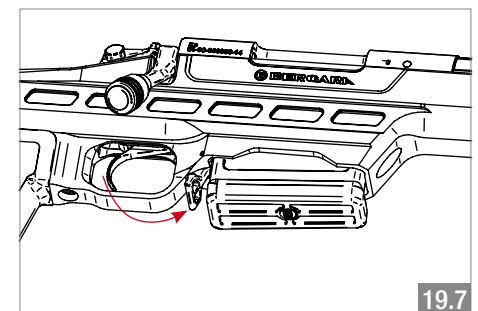
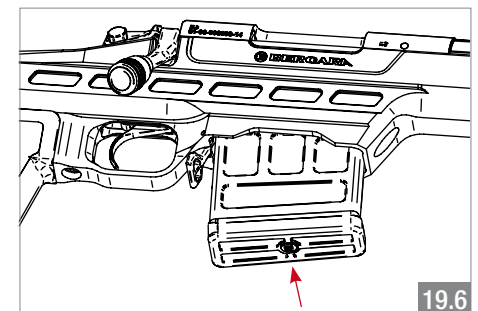
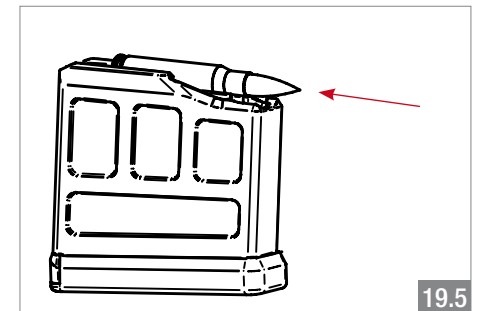
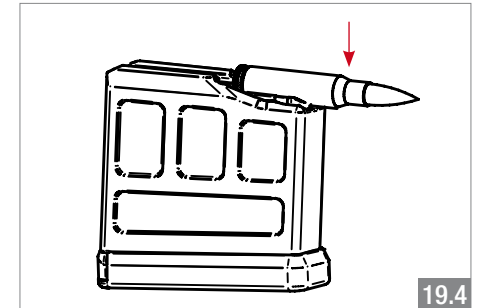
The B14 BMP magazine is loaded as follows:

- Load the magazine from the top with the correct ammunition. Push the cartridge down into the magazine (Fig. 19.4) and slide it completely to the rear (Fig. 19.5). Repeat this step until the magazine is full. The capacity of the magazine is 5 cartridges + 1 in the chamber. If these steps are not performed correctly you may have problems with the performance of the rifle.

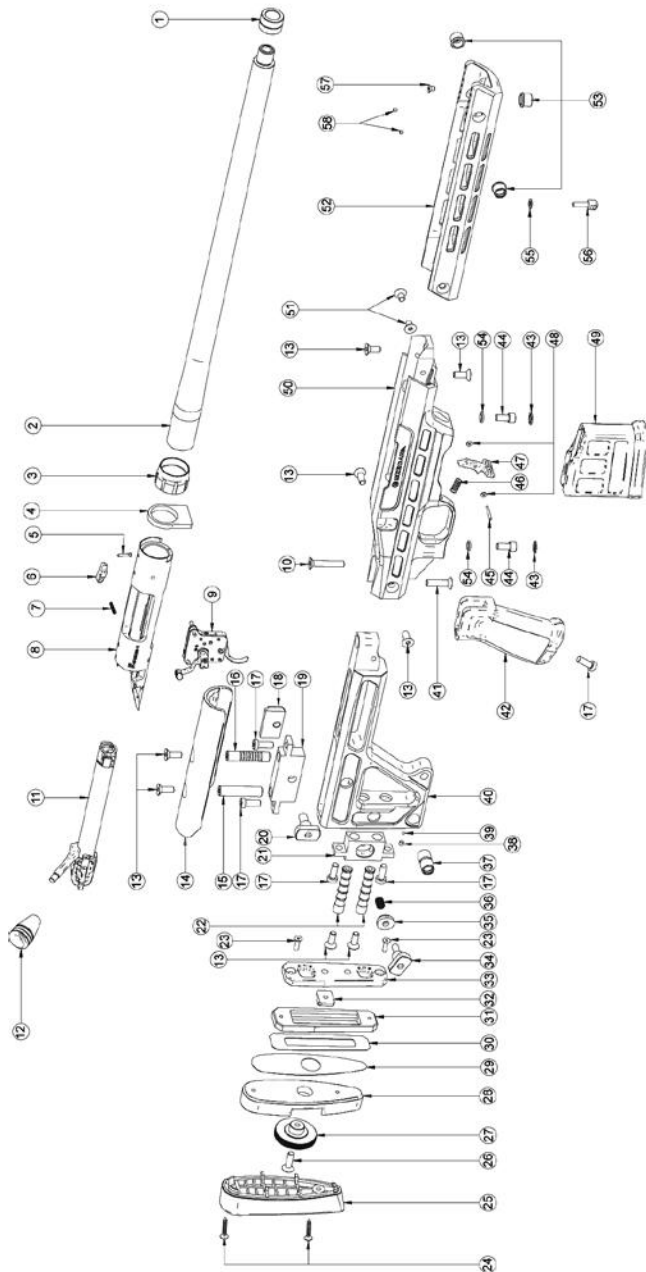
Safety advice:

Double check that the ammunition being loaded is the correct type. The barrel of the rifle has the caliber marked on the side. Shooting ammunition of a different caliber to that marked on the barrel is very dangerous and can cause very serious accidents.

- To install the magazine insert it completely into the magazine well. Rotate the magazine to the rear until you hear and feel the magazine catch lever engage. (Fig. 19.6)
- To release the magazine push the lever located at the front of the trigger guard. (Fig. 19.7)



20. B14 BMP DESCRIPTION

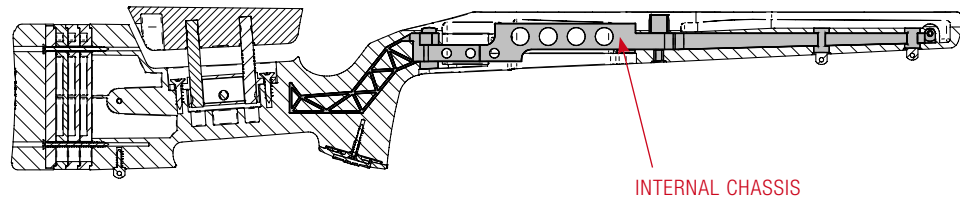


20. B14 BMP DESCRIPTION

| ITEM N. | DESCRIPTION | ITEM N. | DESCRIPTION |
|---------|-------------------------------|---------|------------------------------|
| 1 | Thread cup | 30 | Rubber sticker for guide |
| 2 | Barrel | 31 | Regulation knob guide |
| 3 | Barrel nut | 32 | Recoil pad regulation nut |
| 4 | Recoil lug | 33 | Guides support |
| 5 | Bolt catch screw | 34 | Recoil pad regulation screw |
| 6 | Bolt catch lever | 35 | Recoil pad regulation nut |
| 7 | Bolt catch spring | 36 | Recoil pad regulation spring |
| 8 | Receiver | 37 | Sling swivel |
| 9 | Trigger mechanism | 38 | Threaded pin |
| 10 | Stock screw | 39 | Ball |
| 11 | Bolt body assembly | 40 | Rear part |
| 12 | Bolt knob | 41 | Fixing screw |
| 13 | Check piece screw | 42 | Pistol grip |
| 14 | Check piece | 43 | Screw stop |
| 15 | Check piece rear guide | 44 | Fixing screw |
| 16 | Check piece front guide | 45 | Lever pin |
| 17 | Support fastening screws | 46 | Lever spring |
| 18 | Check piece regulation nut | 47 | Lever |
| 19 | Check piece guides support | 48 | Lever ring |
| 20 | Check piece regulation screw | 49 | Magazine |
| 21 | Support for recoil pad guides | 50 | Central part |
| 22 | Recoil pad guide | 51 | Fixing screw |
| 23 | Fixing screw | 52 | Forehand |
| 24 | Recoil pad screw | 53 | Sling swivel |
| 25 | Recoil pad | 54 | Washer |
| 26 | Recoil pad regulation screw | 55 | Plastic washer |
| 27 | Recoil pad regulation knob | 56 | Front sling swivel |
| 28 | Recoil pad support | 57 | Sling swivel screw |
| 29 | Rubber sticker for support | 58 | Threaded pin |

21. B14 HMR MODEL

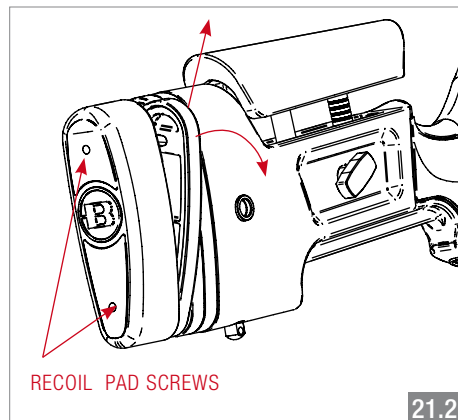
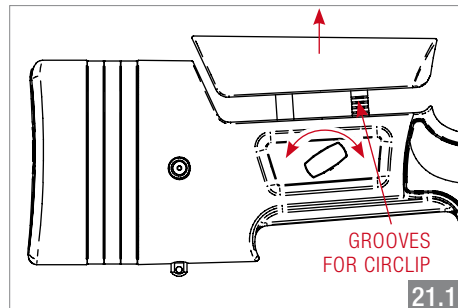
The HMR (Hunting Mach Rifle) rifle with its internal aluminum skeleton stock is the perfect gun for long range hunting, long range target shooting and competition use. This section contains the details you need to know about the HMR stock.



Stock regulation

HMR stock has length regulation and check piece regulation system that allows the user to adapt it to the physical complexion and shooting position of the shooter.

- The check piece is easily adaptable in height. Turn the regulation screw to the left to free the check piece, move the check piece to the position needed and turn right the screw to tie the system again. To place the check piece in the same position after pulling it completely out the front guide has grooves for circlip. (Fig. 21.1)
- This rifle has 4 options of length. You can take out spacers to make it shorter or you can add them to make the stock longer. Untie recoil pad screws until the spacers are free, turn the spacers to take them out and tie the screws again (Fig. 21.2)



21. B14 HMR MODEL

Loading the rifle

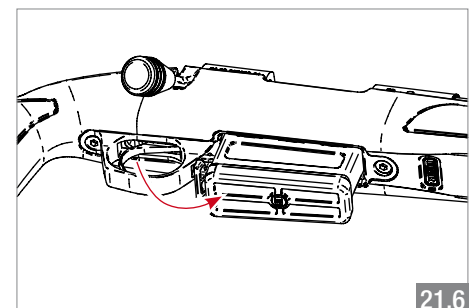
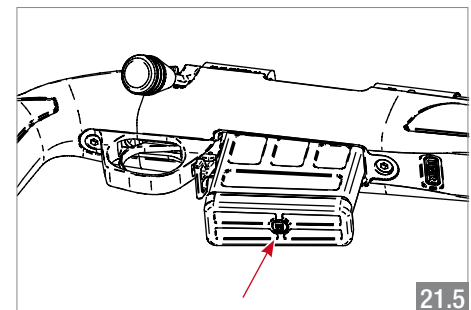
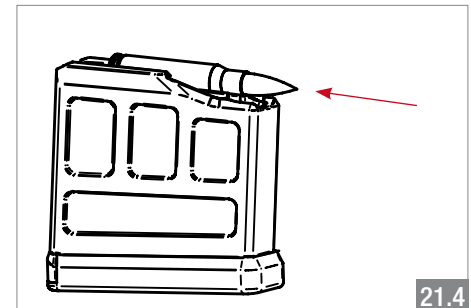
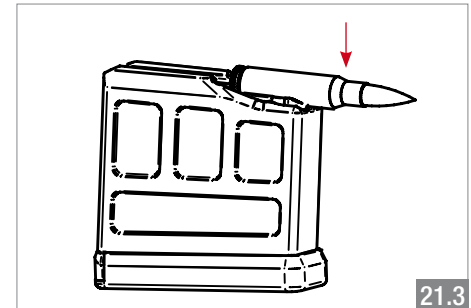
The B14 HMR magazine is loaded as follows:

- Load the magazine from the top side with the correct ammunition. Push the cartridge down into the magazine (Fig. 21.3) and slide it completely to the rear (Fig. 21.4). Repeat this step until the magazine is full. The capacity of the magazine is 5 cartridges + 1 in the chamber. If these steps are not performed correctly you may have problems with the performance of the rifle.

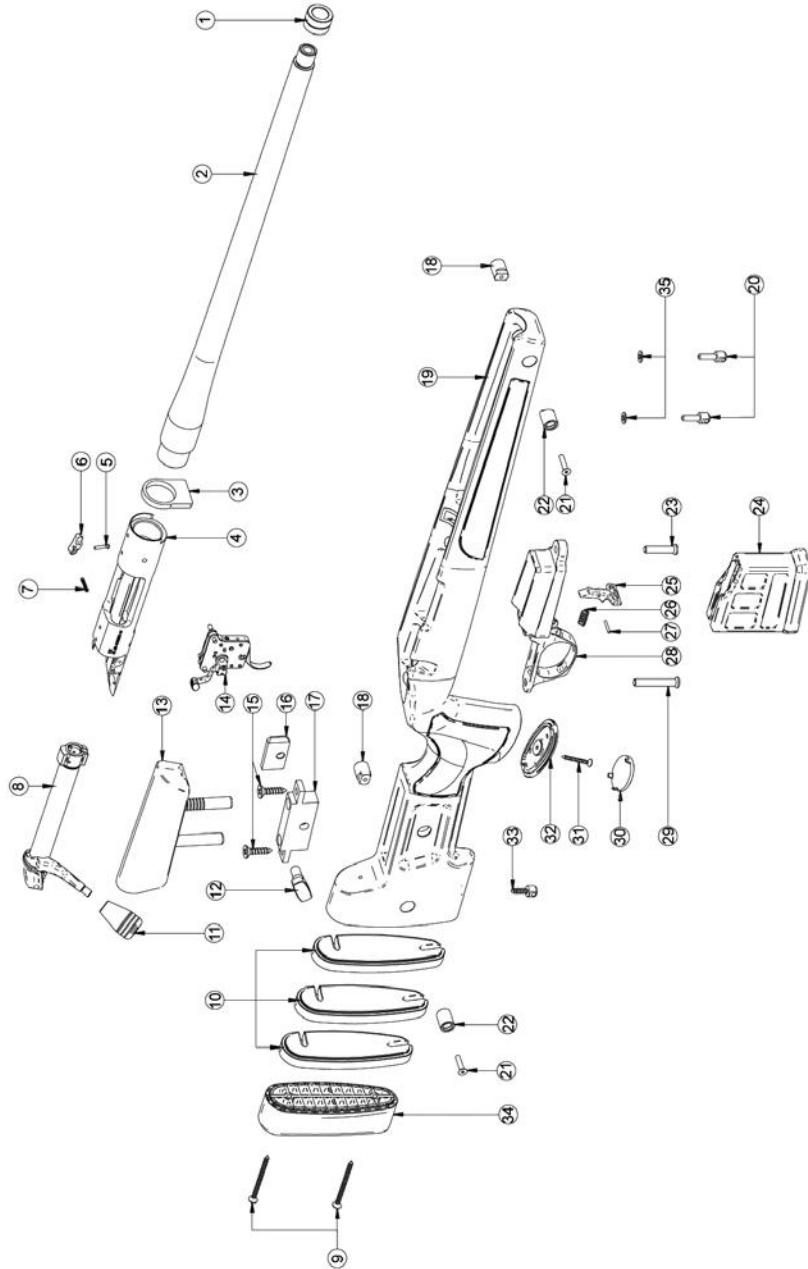
Safety advice:

Double check that the ammunition being loaded is the correct type. The barrel of the rifle has the caliber marked on the side. Shooting ammunition of a different caliber to that marked on the barrel is very dangerous and can cause very serious accidents.

- To install the magazine insert it completely into the magazine well. Rotate the magazine to the rear until you hear and feel the magazine catch lever engage. (Fig. 21.5)
- To release the magazine, push the lever located on the rear side of the trigger guard. (Fig. 21.6)



22. B14 HMR DESCRIPTION



22. B14 HMR DESCRIPTION

| ITEM N. | DESCRIPTION | ITEM N. | DESCRIPTION |
|---------|------------------------------|---------|---------------------|
| 1 | Thread cup | 19 | Stock |
| 2 | Barrel | 20 | Front sling swivel |
| 3 | Recoil lug | 21 | Sling swivel screw |
| 4 | Receiver | 22 | Right sling swivel |
| 5 | Bolt catch screw | 23 | Stock front screw |
| 6 | Bolt catch lever | 24 | Magazine |
| 7 | Bolt catch spring | 25 | Lever |
| 8 | Bolt body assembly | 26 | Lever spring |
| 9 | Recoil pad screw | 27 | Lever pin |
| 10 | Recoil pad spacers | 28 | Trigger guard |
| 11 | Bolt knob | 29 | Stock rear screw |
| 12 | Check piece regulation screw | 30 | Shield cover |
| 13 | Check piece | 31 | Shield fixing screw |
| 14 | Trigger mechanism | 32 | Shield |
| 15 | Support screw | 33 | Rear sling swivel |
| 16 | Check piece regulation nut | 34 | Recoil pad |
| 17 | Support for the guide | 35 | Plastic washer |
| 18 | Left sling swivel | | |

23. FAQs, CAUSES AND SOLUTIONS

| PROBLEM | CAUSE | SOLUTION |
|---|--|---|
| The firearm is loaded, I pull the trigger but the shot doesn't fire | Defective ammunition | Try with different ammunition |
| | The firing pin does not go out far enough or it does with little force | Contact Bergara Customer Service |
| | Broken firing pin | |
| The cartridge does not fit in the chamber | Ammunition incorrect caliber | Make sure the ammunition is the correct calibre |
| | The case is stuck | Very carefully remove the lodged casing |
| | Something is obstructing the chamber or chamber is very dirty | Carefully clean the chamber |
| | Chamber is damaged | Contact Bergara Customer Service |
| I can't lower the bolt handle | Chamber dirty (casing residual...) | Clean it, If not resolved, contact Bergara Customer Service |
| | You have used different caliber ammunition | Use correct ammunition |
| | Ejector locked, rigid | Apply oil, move by hand. If not resolved, contact Bergara Customer Service |
| The rifle fires when closing the bolt | Damaged trigger or improper trigger adjustment | Stop immediately, very dangerous |
| The rifle fires when safety catch on | Be careful! Very dangerous. Defective trigger | Contact Bergara Customer Service |
| The rifle has been fired but the casing doesn't eject | The extractor does not work properly | Contact Bergara Customer Service |
| | | Check that the extractor "springs" correctly |
| | | Check that the extractor is not broken |
| | | If it is either of these things, return the rifle to the factory |
| | Defective casing | Try with different ammunition |
| | Chamber damaged | Contact Bergara Customer Service |

23. FAQs, CAUSES AND SOLUTIONS

| PROBLEM | CAUSE | SOLUTION |
|---|---|---|
| I cannot insert the cartridges into the magazine | Follower incorrectly positioned | Position the follower correctly |
| | Cartridges wrongly inserted | When inserting the cartridge you must ensure that the base touches the back part of the magazine. That is, the cartridge must be pushed downwards and backwards as shown on p. 8 of this manual |
| | Incorrect calibre of ammunition | Make sure the calibre corresponds to the barrel |
| The rifle fired, the casing extracted but wasn't expelled | Dirt or rust in the ejector | Clean adequately and lubricate the area |
| | The ejector does not work properly | Check that the ejector "springs" correctly and isn't blocked Check that the extractor operates correctly If either of these things doesn't work, contact Bergara Customer Service |
| I cannot open the floorplate of the magazine | Dirty or poorly maintained | Clean, then lubricate the area with spray-on oil |
| I cannot close the floorplate of the magazine | Damage in follower or spring | Contact Bergara Customer Service |
| The rifle does not feed the cartridges from the magazine | Dirty or poorly maintained | Clean, then lubricate the area with spray-on oil |
| | Damage in follower or spring | Contact Bergara Customer Service |
| | Cartridges wrongly inserted in magazine | Remove the cartridges and reload the magazine making sure that the bullets are correctly inserted according to p. 8 of this manual |
| | Damage in follower or spring | Contact Bergara Customer Service |

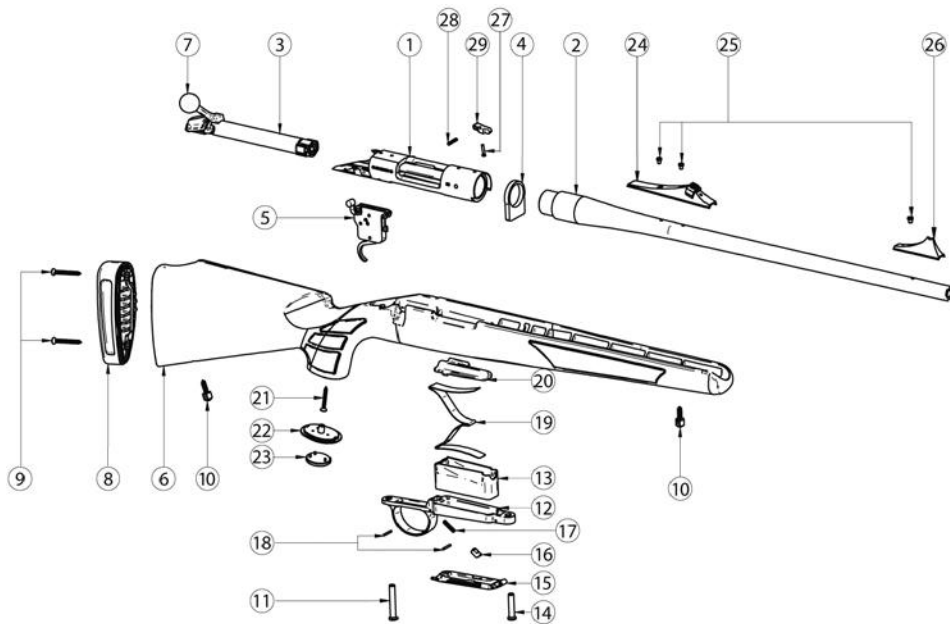
23. FAQs, CAUSES AND SOLUTIONS

| PROBLEM | CAUSE | SOLUTION |
|---|---|---|
| The bolt comes out without pressing the bolt stop | The bolt stop or spring is broken | Contact Bergara Customer Service |
| Rear cap rotated | Accidental turning when the bolt is back or removed | Rotate the cap into position by hand |
| The trigger is very stiff | Improperly adjusted, dirty or poorly maintained | Adjustment of the trigger by a qualified gunsmith or contact Bergara Customer Service |
| The bolt movement is very stiff | Dirt, inadequate lubrication | Remove the bolt and carefully clean the bolt and action |
| | Bolt damaged | Contact Bergara Customer Service |
| My rifle is rusting | Inadequate maintenance of the rifle | Remove Rust and then oil or Contact Bergara Customer Service |
| It is difficult to raise the bolt handle | Dirty or poorly maintained | Clean and lubricate adequately |
| | Inappropriate ammunition that causes overpressure | Use commercial ammunition |
| | Problem in the rifle mechanism | Contact Bergara Customer Service |
| The ball of the bolt handle is loose | Broken thread | Contact Bergara Customer Service |
| | Loose from its housing | Use a thread locking product to reseal the ball |

23. FAQs, CAUSES AND SOLUTIONS

| PROBLEM | CAUSE | SOLUTION |
|--------------------------------------|--|---|
| The rifle does not group my shots | Inappropriate ammunition | Try with different ammunition |
| | Reloaded ammunition | |
| | Have you dropped the rifle? | Check the condition of the weapon and the scope. If everything is OK and it doesn't group, return to the factory for damage assessment and warranty |
| | Dirt or rust in the barrel (especially near the muzzle) | Clean the barrel properly according to this instruction book |
| | Dirt in the chamber | |
| | Scope badly fitted (base, rings, display) | Ensure that the sighting systems are properly fitted with a 7 Nm torque |
| | Blow to the muzzle (crowning) | Contact Bergara Customer Service |
| | Accessories fitted on the barrel (except open sights or scope) | Remove the accessories that have been fitted to the barrel |
| | Barrel is touching the stock | Contact Bergara Customer Service |
| | The stock is badly fitted | Ensure that the screws are secure |
| | The trigger release is very stiff | Contact Bergara Customer Service |
| | Chamber damaged | |
| Defective closure bolt-action-barrel | | |

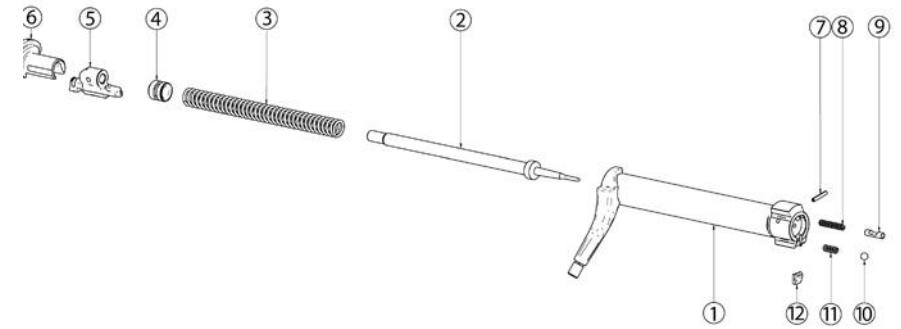
24. GENERAL DESCRIPTION



| ITEM N. | DESCRIPTION | ITEM N. | DESCRIPTION |
|---------|--------------------|---------|-------------------------|
| 1 | Receiver | 16 | Magazine opening button |
| 2 | Barrel | 17 | Opening button spring |
| 3 | Bolt body assembly | 18 | Trigger guard lock pins |
| 4 | Recoil lug | 19 | Magazine spring |
| 5 | Trigger mechanism | 20 | Follower |
| 6 | Stock | 21 | Shield fixing screw |
| 7 | Bolt knob | 22 | Shield |
| 8 | Recoil pad | 23 | Shield cover |
| 9 | Recoil pad screws | 24* | Rear sight |
| 10 | Sling swivel | 25* | Sight screws |
| 11 | Stock rear screw | 26* | Front sight |
| 12 | Trigger guard | 27 | Bolt catch screw |
| 13 | Magazine | 28 | Bolt catch spring |
| 14 | Stock front screw | 29 | Bolt catch lever |
| 15 | Magazine tray | | |

* Sights are only available in Europe

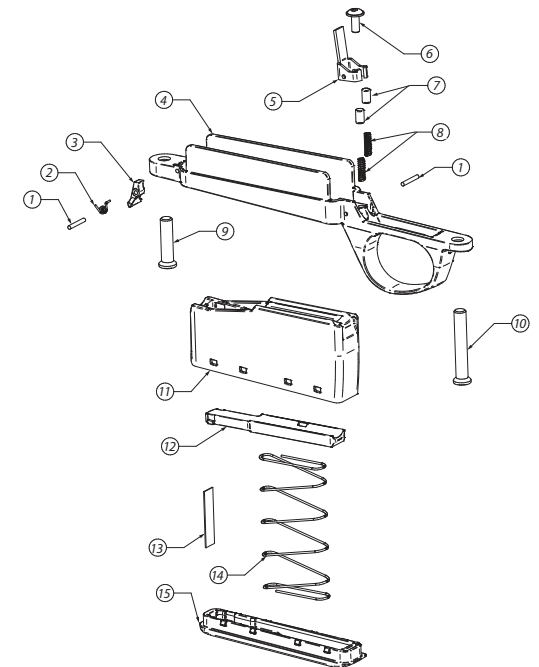
24. GENERAL DESCRIPTION



| ITEM N. | DESCRIPTION | ITEM N. | DESCRIPTION |
|---------|--------------------|---------|------------------------|
| 1 | Bolt body | 7 | Ejector pin |
| 2 | Firing pin | 8 | Ejector plunger spring |
| 3 | Firing pin spring | 9 | Ejector |
| 4 | Firing pin bushing | 10 | Extractor ball |
| 5 | Firing pin lock | 11 | Extractor spring |
| 6 | Firing pin shroud | 12 | Extractor |

ITEM N. DESCRIPTION

| | |
|----|-------------------------|
| 1 | Trigger guard lock pins |
| 2 | Lever spring |
| 3 | Magazine clamping lever |
| 4 | Magazine trigger guard |
| 5 | Magazine pushing plate |
| 6 | Regulation screw |
| 7 | Pushing pin |
| 8 | Pushing spring |
| 9 | Stock front screw |
| 10 | Stock rear screw |
| 11 | Magazine body |
| 12 | Follower |
| 13 | Magazine sheet of metal |
| 14 | Magazine spring |
| 15 | Magazine plate |



25. WARRANTY

Please address your warranty concerns electronically to: **Info@bergararifles.com**
For USA /Canada: **contact@bergarausa.com**

Or by mail to:

DIKAR S. Coop
Ugarte, 26
20570 Bergara - Gipuzkoa (Spain)

Bergara North America
BPI Outdoors
1270 Progress Center Ave. Suite 100
Lawrenceville, GA 30043

The Bergara B14 rifle is warranted to be free from manufacturers defects for the life of the gun. This warranty is to the original purchaser and is not transferable. This warranty does not cover normal wear and tear, finish of metal or wood, abuse or misuse, damage to property, cost of inconvenience or loss of use.

This warranty gives you certain legal rights and you may have other rights which vary from state to state or country to country. Apart from the assumptions of cancellation of warranty mentioned in the different sections of this manual, below will also void the warranty:

- Unauthorized modifications and/or repairs.
- Rifle returned in neglected conditions (dirty, corroded, etc.).
- Use of improper ammunition (e.g. military ammunition, reloaded ammunition, ammunition un authorized by CIP or SAAMI).
- Damages which result from not following the instructions given in this manual.

The rifle is identified by its serial number on the side of the receiver.

IMPORTANT: In case of return, make sure that the rifle is unloaded!!



CUSTOMER SERVICE:

BERGARA

DIKAR S. Coop
Ugarte, 26
20570 Bergara - Gipuzkoa (Spain)
Tel.: +34 943 769 893
info@bergararifles.com
www.bergararifles.com
Facebook: Bergara Rifles Europe
Youtube: bergarainternational

CUSTOMER SERVICE USA/CANADA:

Bergara North America
BPI Outdoors
1270 Progress Center Ave. Suite 100
Lawrenceville, GA 30043
800 320-8767
www.bergarausa.com
contact@bergarausa.com
Facebook: Bergara USA
Youtube: Bergara US



| | | |
|---|----|-------|
| 1. Introducción | | 36 |
| 2. Seguridad en general | | 37-39 |
| 3. Antes de disparar el rifle | | 39 |
| 4. Cargar el rifle | | 40 |
| 5. Carga de la munición con cargador extraíble | | 40 |
| 6. Funcionamiento del sistema de cargador extraíble | | 41 |
| 7. Montaje del kit cargador extraíble | | 41 |
| 8. Disparar el rifle | | 42-43 |
| 9. Rodaje del cañón | | 44 |
| 10. Extracción de una bala atascada en el ánima del cañón | | 44 |
| 11. Uso de munición militar | | 44 |
| 12. Ajuste del peso del gatillo | | 45 |
| 13. Prueba de seguridad de gatillo | | 46 |
| 14. Desmontaje del arma para su limpieza | | 46 |
| 15. Montaje de la mira telescópica | | 46-47 |
| 16. Desmontaje del arma para su limpieza | | 47 |
| 17. Limpieza y mantenimiento | | 48-49 |
| • Cañón | 48 | |
| • Carcasa (acción) y cerrojo | 49 | |
| • Culata y guardamanos | 49 | |
| 18. Almacenamiento | | 49 |
| 19. B14 modelo BMP | | 50-51 |
| • Regulación de la culata | 50 | |
| • Carga del rifle | 51 | |
| 20. Descripción B14 modelo BMP | | 52-53 |
| 21. B14 modelo HMR | | 54-55 |
| • Regulación de la culata | 54 | |
| • Carga del rifle | 55 | |
| 22. Descripción B14 modelo HMR | | 56-57 |
| 23. Preguntas más frecuentes, causas y soluciones | | 58-61 |
| 24. Descripción general | | 62-63 |
| 25. Garantía | | 64 |

1. INTRODUCCIÓN Y SEGURIDAD GENERAL

Gracias por comprar un rifle de acción de cerrojo Bergara B14.

Esperamos que este rifle cumpla sus expectativas, le sea útil para sus fines y le proporcione años de satisfacción.

Lea este manual. Hay muchas características a las que se debe familiarizar el usuario para utilizar el arma de manera segura.

El futuro de los deportes de tiro depende de usted.

Los accidentes, el mal uso de las armas de fuego, etcétera, se consideran razones para prohibir los deportes de tiro en general y de armas en particular.

Sea responsable, busque siempre la seguridad y preste atención a los consejos sobre seguridad de otros compañeros tiradores.

Si después de leer las instrucciones, advertencias y riesgos detallados en este manual usted no está dispuesto a aceptar la responsabilidad que supone manipular y disparar un arma de forma segura, devuelva el arma al lugar donde la compró.

¡Deben tenerse en cuenta todas las medidas de seguridad para que la utilización del arma sea segura!

2. SEGURIDAD EN GENERAL

10 Reglas de seguridad para el manejo de su arma

- 1 Mantenga siempre la boca del rifle apuntando en una dirección segura, aunque el rifle esté descargado.
- 2 Esté seguro de su objetivo y de lo que hay detrás de él antes de apuntar a ningún sitio.
- 3 Nunca se fíe de la seguridad mecánica de un arma.
- 4 El arma debe estar descargada hasta el momento de su uso.
- 5 Use siempre protección ocular y auditiva.
- 6 El cañón debe estar libre de cualquier tipo de obstrucción antes de la carga y el disparo.
- 7 Maneje cada arma como si estuviera cargada.
- 8 Almacene las armas y la munición por separado y en un área cerrada con llave.
- 9 Evite el consumo de bebidas alcohólicas y drogas, antes y durante el uso de un arma.
- 10 No altere ni modifique su arma. Mantenga su arma revisada con regularidad por un armero competente. Asegúrese de que cada pieza funciona correctamente antes de cada uso.

2. CONSIDERACIONES DE SEGURIDAD PARA TODAS LAS ARMAS

- Nunca fume mientras dispara o maneja un arma o material relacionado. Las cenizas o las chispas pueden causar que la pólvora o los cartuchos prendan, provocando daños personales, incluso la muerte.
- Utilice siempre protección para los ojos. Es posible que salten partículas de la recámara o de la boca del arma cuando utilizamos cualquier rifle.
- Revise siempre el arma antes de usarla para asegurarse de que está en buen estado de funcionamiento. Pruebe el gatillo y el sistema de apertura cuidadosamente antes de la carga. Compruebe que el cañón no este obstruido. Cualquier obstrucción puede hacer que éste explote, causando graves lesiones o la muerte.
- Nunca cargue un arma hasta que esté listo para disparar. Hay que sacar el cartucho al caminar, al trepar árboles o cercas, al pasar el arma de una persona a otra, al saltar una pared o valla,...
- Nunca apoye un arma contra la pared, un árbol, un vehículo u otra superficie. La caída de un arma cargada puede provocar un disparo accidental del arma, causando graves lesiones o la muerte.
- Nunca transporte un arma cargada en ningún tipo de vehículo. Se considera que el arma está cargada mientras no se saque el cartucho de la recámara.
- Nunca guarde un arma cargada. El arma debe estar descargada y debemos limpiarla antes de cualquier almacenamiento.
- Nunca cargue un arma sin antes asegurarse de que el cañón está limpio y sin obstrucciones. Si el arma cae al suelo por accidente, comprobar que el cañón no ha quedado obstruido.
- Tenga mucho cuidado cuando cace desde un puesto de árbol. La caída accidental de un arma puede provocar un disparo, que puede causar graves lesiones o la muerte. Asegúrese de que el arma esta descargada antes de subir o bajar de un árbol.
- ¡Nunca se fie de la seguridad mecánica! Los aparatos mecánicos pueden fallar y de hecho lo hacen. Las armas siempre deben manipularse como si estuvieran listas para disparar, independientemente de la posición o la condición mecánica de la seguridad.
- Utilice siempre procedimientos de limpieza adecuados. Disparar un cañón con mal mantenimiento o con corrosión puede conducir a condiciones de presión peligrosas y/o hacer que el cañón explote causando lesiones graves o la muerte.
- Nunca apunte el cañón hacia algo que usted no quiera ver dañado. Al llevar el arma en el hombro asegúrese que la boca del cañón este mirando hacia arriba.
- No trate de modificar las partes internas de su arma. Si lo hace puede causar una situación peligrosa causando un disparo accidental del arma y causando graves lesiones o la muerte. Estas alteraciones, en general, anulan la garantía.
- No deje el arma sin vigilancia o al alcance de los niños. En algunos países está penado por la ley.

3. ANTES DE DISPARAR EL RIFLE

Familiarícese con el arma. Aprenda cómo funciona y cómo se utiliza sin munición. Recomendaciones antes de usar el rifle:

- El rifle viene embalado con el cerrojo desmontado de la acción. Antes de montar el cerrojo compruebe que el rifle esta descargado, es decir, que no haya ninguna vaina en la recámara u obstrucción en el cañón.
- Compruebe que no hay ningún cartucho en el cargador.
- Limpie el cañón por dentro según se indica en el apartado "limpieza y mantenimiento".
- Limpie el aceite sobrante del cerrojo y del área del receiver.
- Introduzca el cerrojo en su acción según se indica en el punto "desmontaje de los componentes del arma para su limpieza" de este manual.
- Compruebe el correcto funcionamiento del disparador accionándolo varias veces.
- Una vez realizados los pasos anteriores, puede usted cargar el arma como se indica en el siguiente punto de este manual.
- La primera vez que se dispara un rifle, se recomienda hacer el rodaje del cañón. El proceso se describe en el apartado "Rodaje del cañón".

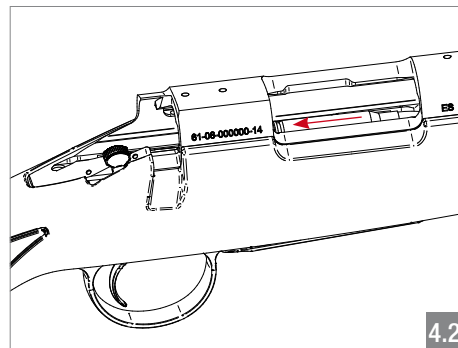
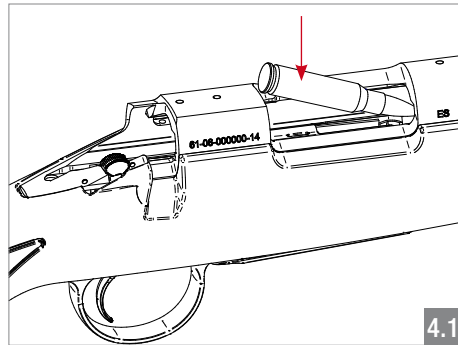
4. CARGAR EL RIFLE

El B14 se utiliza de la siguiente forma:

Cargue el cargador por la apertura superior de la acción con la munición correspondiente. Para ello, empuje el cartucho hacia abajo (Fig. 4.1). Una vez dentro, deslícelo hacia atrás (Fig. 4.2). La capacidad del cargador en los calibres estándar es de 4 + 1 cartucho en la recámara y en los magnum de 3 + 1 cartucho. Si no se ejecutan debidamente estas acciones pueden surgir problemas en el funcionamiento del arma.

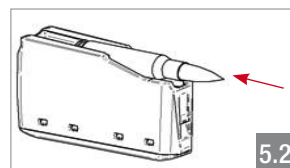
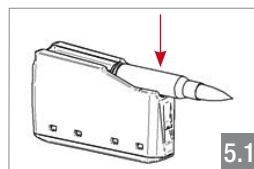
Consejo sobre seguridad:

Compruebe dos veces que la munición que está cargando es la correcta. El cañón del rifle tiene el calibre marcado en el lateral. Disparar munición de un calibre distinto al marcado en el cañón es muy peligroso y puede causar accidentes muy graves.



5. CARGA DE LA MUNICIÓN CON CARGADOR EXTRAÍBLE

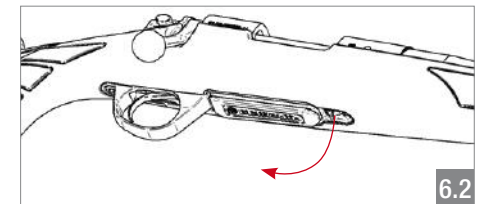
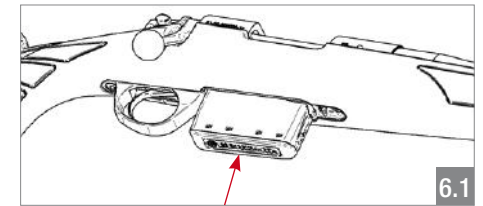
Cargue el cargador por la apertura superior con la munición correspondiente. Para ello, empuje el cartucho hacia abajo (Fig. 5.1). Una vez apoyado en el fondo, deslícelo hacia atrás (Fig. 5.2). La capacidad del cargador en los calibres estándar es de 3 cartuchos y en los magnum de 2 cartuchos. Si no se ejecutan debidamente estas acciones pueden surgir problemas en el funcionamiento del arma.



6. FUNCIONAMIENTO DEL SISTEMA DE CARGADOR EXTRAÍBLE

Para colocar el cargador en su posición, empujelo dentro del guardamonte hasta el fondo con la parte de la salida de munición hacia arriba. (Fig. 6.1)

Accionar la palanca situada en la parte delantera del guardamonte para liberar el cargador. (Fig. 6.2)



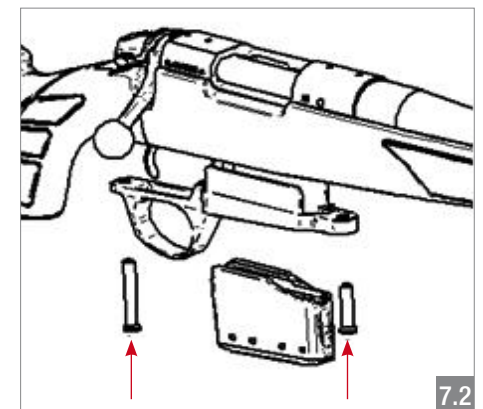
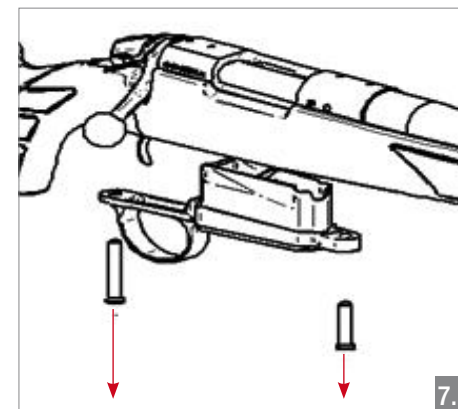
7. MONTAJE DEL KIT CARGADOR EXTRAÍBLE

El rifle B14 tiene disponible un kit de cargador extraíble para los rifles con bandeja de cargador. Para una buena colocación de este kit se recomienda seguir los siguientes pasos.

- Suelte los tornillos que sujetan el guardamonte y extráigalo con todas sus piezas. (Fig. 7.1)

- Coloque el guardamonte nuevo en la culata y átelo en el rifle con los tornillos que se le han proporcionado en este kit (Fig. 7.2). El par de apriete de estos tornillos es de 6.2Nm (55lbs in).

- Inserte el cargador en el guardamonte.



8. DISPARAR EL RIFLE

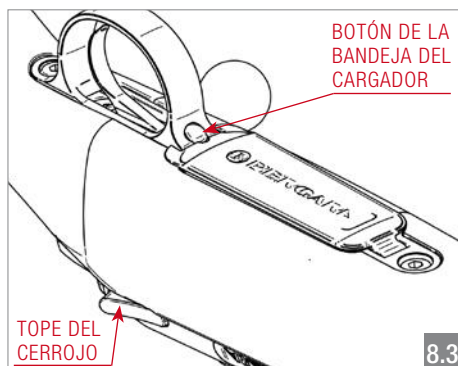
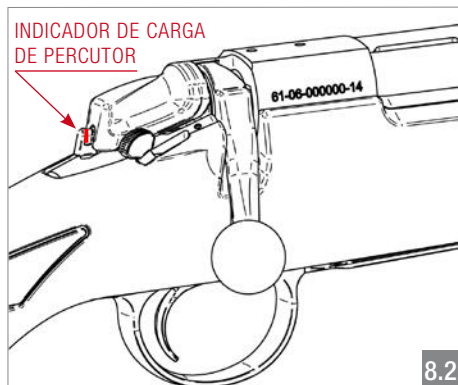
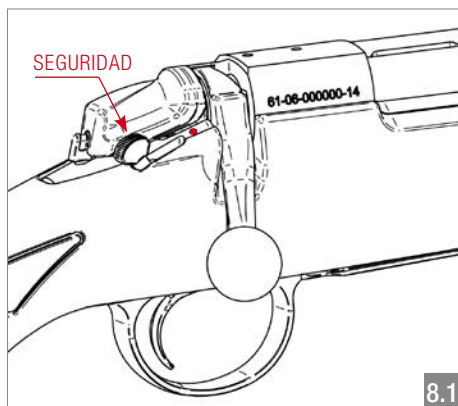
- Extraiga el cerrojo y asegúrese de que el arma está descargada. Compruebe también que nada obstruye el ánima. Asegúrese de que la bandeja del cargador está cerrada.
- El seguro del arma no se puede accionar si la palanca del cerrojo está en la posición inferior y el rifle sin amartillar, el rifle no está cargado. Una vez levantada la palanca del cerrojo ya puede poner el rifle en posición de seguro. Por lo tanto ponga el rifle en seguro una vez levantada la palanca del cerrojo y antes de introducir un cartucho en la recámara. El rifle se pone en posición de seguro tirando de la palanca hacia atrás, hacia el punto blanco. (Fig. 8.1)
- Cierre el cerrojo. Compruebe el indicador rojo del percutor cargado. (Fig. 8.2)

Consejos sobre seguridad:

Al cargar el arma asegúrese de bajar la palanca hasta el tope.

Si cierra el cerrojo y el indicador del percutor cargado no sobresale, no utilice el rifle. Lleve el arma a que la revise un armero cualificado o contacte con el **SAT de Bergara**.

- Cuando esté listo para disparar, quite el seguro (la palanca hacia adelante) y tire del gatillo con suavidad.

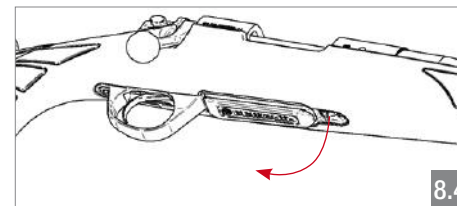


8. DISPARAR EL RIFLE

Consejos sobre seguridad:

Si al apretar el gatillo en un arma cargada el rifle no dispara, apunte el rifle a una dirección segura y espere 30 segundos antes de abrir el cerrojo. El cerrojo debe ser abierto con gran precaución.

Si se sospecha que se ha realizado un disparo defectuoso y que la bala no ha salido del cañón, proceda a quitar el cerrojo y a comprobarlo. Esta situación se puede producir porque la pólvora esté deteriorada, no quemándose o realizando una combustión parcial. En este caso lleve el arma a que lo revise un armero cualificado o contacte con el **Servicio de Asistencia Técnica de Bergara**.



- Una vez disparado, abra el cerrojo, tire hacia atrás hasta llegar al tope, luego empuje hacia delante y cierre el cerrojo. Asegúrese de que el arma expulsa la vaina usada. Es importante tirar del cerrojo hasta el tope y no un simple recorrido corto ya que se podría atascar el arma.
- Para vaciar el arma, extraiga el cerrojo de la carcasa y retire la munición pulsando el botón de la bandeja del cargador (Fig. 8.3) o extraiga el cargador extraíble (Fig. 8.4).
- Inspeccione que no hay ningún cartucho en la recámara.

9. RODAJE DEL CAÑÓN

Durante la fabricación, se crean imperfecciones microscópicas en el ánima del cañón. Estas imperfecciones, se pulen después de varias series de disparos. Si estas imperfecciones se eliminan correctamente, el cañón se ensuciará menos, se limpiará con más facilidad, será más uniforme y ganará en precisión.

El proceso de eliminación de dichas imperfecciones se denomina “rodaje del cañón”. El proceso consiste en disparar un tiro o una serie de ellos y luego limpiar el ánima.

Deje enfriar el cañón antes de empezar a limpiarla.

Proceso de rodaje recomendado:

- En los primeros 5 disparos limpie el arma en cada disparo.
- En los siguientes 50 disparos limpie el arma cada 10 disparos.
- En los disparos posteriores limpie el arma frecuentemente.

10. EXTRACCIÓN DE UNA BALA ATASCADA EN EL ÁNIMA

Consejo sobre seguridad:

No intente extraer la bala atascada con otro disparo posterior porque la presión creada puede destruir el arma hiriendo al tirador.

*Lleve el arma a que la revise un armero cualificado o contacte con el **Servicio de Asistencia Técnica de Bergara.***

11. USO DE MUNICIÓN MILITAR

La munición militar, como puede ser el 5,56 NATO y el 7,62 NATO, generalmente tiene un espesor mayor que la munición civil, como pueden ser el .222 Remington y el .308 Winchester. Existen otras diferencias en la toma de

estrías de la recámara y la presión con la que se suele cargar la munición. Por lo tanto, BERGARA y el Instituto de fabricantes de Armas Pequeñas y Municiones (SAAMI) recomendamos no utilizar munición militar en armas civiles.

12. AJUSTE DEL PESO DEL DISPARADOR

El B14 dispone de un mecanismo de gatillo totalmente ajustable.

El peso del gatillo predeterminado de fábrica es alrededor de 1 kg (2.2 lbs). El ajuste posible es aproximadamente desde 1 kg (2.2 lbs) a 2 kg (4.4 lbs) en todos los modelos.

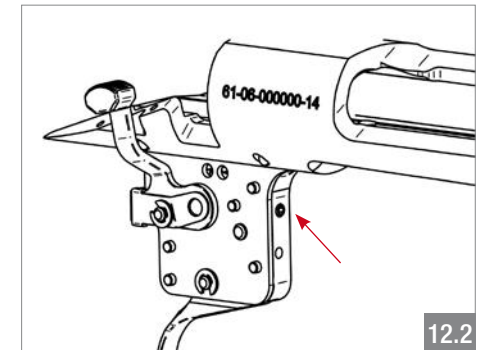
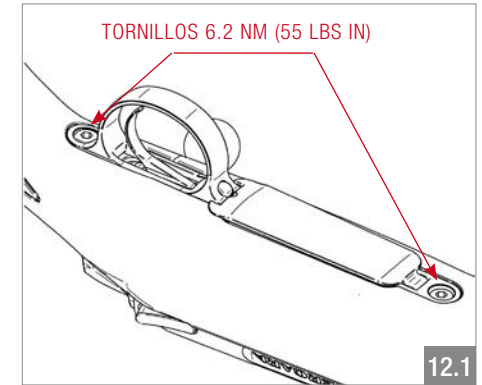
Consejos sobre seguridad:

No cambie el mecanismo de disparo por otro fabricado por una empresa diferente. Puede que encaje en su arma, pero es posible que no funcione adecuadamente ocasionando que ésta no sea segura. La sustitución del mecanismo de disparo anula la garantía.

El disparador solo debe ser ajustado por un armero cualificado o por la fábrica.

Para acceder al tornillo de ajuste, es necesario desmontar la culata. Para ello, suelte la bandeja del cargador y desatornille los tornillos del guardamonte (Fig. 12.1). Al quitar la culata, ésta se puede atascar en la carcasa y puede que desmontarla lleve un tiempo.

El tornillo regulador del peso del disparador (Fig. 12.2) ajusta la fuerza necesaria para tirar del disparador.



Consejo sobre seguridad:

El disparador solo debe ser ajustado por un armero cualificado o por la fábrica.

13. PRUEBA DE SEGURIDAD DEL DISPARADOR

Después de haber ajustado el disparador, se deberán realizar las siguientes pruebas:

- Cierre el cerrojo lo más rápidamente posible. El indicador del amartillado deberá permanecer visible. Si no es el caso contacte con el Servicio de Asistencia Técnica (SAT) Bergara.
- Compruebe el peso del disparador con una escala de peso. Si el peso del gatillo

es inferior a 1 kg (2,2 lbs), incremente el peso del gatillo.

- Simule un tiro y realice un ciclo entero. El indicador rojo del amartillado deberá estar visible. Si no es así, contacte con el servicio técnico.

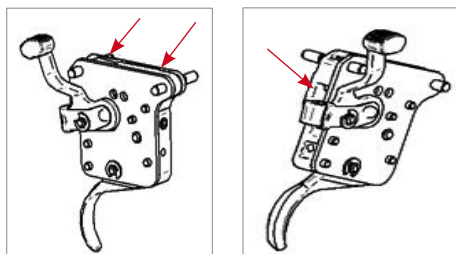
Consejo sobre seguridad:

Nunca realice estas pruebas con el arma cargada.

14. MANTENIMIENTO DEL DISPARADOR

Se debe lubricar periódicamente el disparador para una adecuada conservación del mismo.

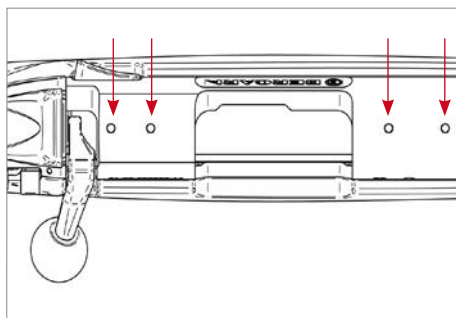
Se recomienda rociar con un lubricante líquido fino y no emplear lubricantes solidos como la vaselina.



15. MONTAJE DE LA MIRA TELESCÓPICA

La carcasa tiene 4 orificios roscados. Los raíles comerciales válidos para el Remington® 700™ encajan en el BERGARA B14. Utilice unas anillas adecuadas en altura.

Al instalar el raíl o la anilla de mira, se recomienda utilizar un producto de bloqueo de rosca comparable con Loctite® 242. Esto evitará que la mira se afloje por el retroceso con el paso del tiempo.



15. MONTAJE DE LA MIRA TELESCÓPICA

Para instalar la mira, siga las instrucciones facilitadas por el fabricante de miras.

Asegúrese de que utiliza los tornillos de longitud apropiada para fijar los raíles. Los tornillos no deben sobresalir en la parte interior de la carcasa. Normalmente los dos tornillos delanteros suelen ser más largos que los traseros. El intercambio de la posición de los tornillos puede producir problemas en el funcionamiento del arma

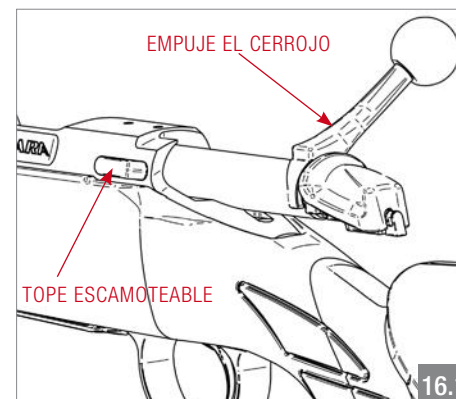
Consejo sobre seguridad:

Dispare siempre con gafas de protección. No instale la mira demasiado cerca del ojo. Debido al retroceso la mira puede golpear la cara del tirador y lesionarle. Como consejo práctico, compruebe que el puño del tirador cabe entre el ojo y la mira telescópica. Si la distancia ocular de las miras es demasiado corta, cámbiela por una con mayor distancia ocular.

16. DESMONTAJE DEL ARMA PARA SU LIMPIEZA

Al desmontar el arma para su limpieza o inspección, siga los siguientes pasos (Fig. 16.1):

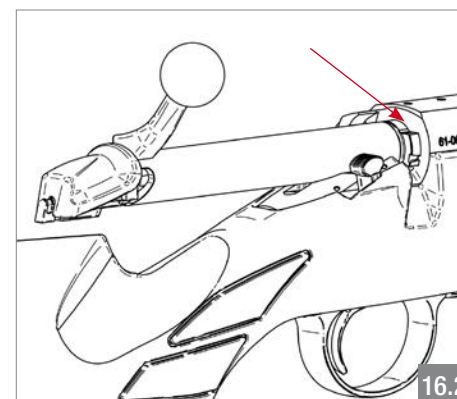
- Vacíe el arma soltando la bandeja del cargador o quite el cargador extraíble.
- Coloque el cerrojo unos 25 mm. (1 pulgada) antes de su tope.
- Presione el desbloqueo del tope escamoteable y retire el cerrojo.



• Verifique que no haya munición, mirando el interior del cañón desde el lado de la recámara.

Para montar el arma desmontada (Fig. 16.2):

- Presione el desbloqueo de tope escamoteable e inserte el cerrojo. Gire el cerrojo hasta que se alinee con el canal.
- Compruebe que la bandeja del cargador está cerrada; si no lo está ciérrela.



17. LIMPIEZA Y MANTENIMIENTO

En general, el B14 es un arma de fácil mantenimiento. En esta sección encontrará toda la información necesaria para mantener el rifle a punto.

Tras realizar un disparo con el rifle, si no se limpia adecuadamente antes de 24 horas la corrosión empieza a aparecer en algunos componentes del arma. En entornos húmedos la aparición de la corrosión es aún más probable que en condiciones normales.

Por lo tanto, se recomienda limpiar las siguientes piezas con regularidad, sobre todo después de un día de caza o en el campo de tiro (consulte siempre las instrucciones facilitadas por el fabricante de los productos químicos utilizados):

Cañón

La alta calidad del cañón Bergara de su rifle necesita el cuidado adecuado para mantener la precisión. Debería seguir los siguientes consejos:

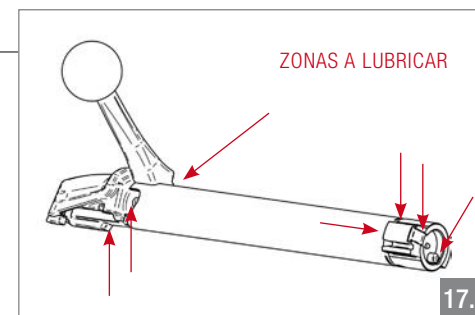
- El sentido de limpieza correcto es desde la recámara hasta la punta del cañón. Limpiar el cañón en sentido contrario afecta seriamente a la precisión.
- Si es posible, utilice una varilla de limpieza de calidad de una sola pieza para evitar dañar el ánima.
- Utilice productos de limpieza adecuados para ayudar a alargar la vida del cañón.
- Intente evitar que se acumule demasiado cobre en el ánima. Reducirá la precisión de manera importante.
- Se recomienda el uso de un cepillo de alta calidad para limpiar el ánima. No utilice cepillos de acero inoxidable.
- Es muy recomendable limpiar también la recámara. Utilice un cepillo adecuado.
- Después de limpiar el ánima, aplique un parche (un cuadrado de tela) empapado con aceite para armas para evitar la oxidación. Pase un parche seco antes de disparar para retirar el aceite y no dañar el ánima.

Importante: los restos de aceite dentro del cañón en el momento del disparo pueden causar sobrepresión.

- Revise periódicamente que la punta del cañón (crowning) no esté dañada, ya que afecta seriamente a la precisión.

Carcasa (acción) y cerrojo

- Limpie el cerrojo completo y el interior de la carcasa con un paño impregnado de un producto adecuado para eliminar los residuos.
- Con un cepillo, limpie la cara del cerrojo y el extractor. Limpie también el área expuesta del mecanismo de disparo y los tetones del cabezal del cerrojo.



- Se debe lubricar o engrasar el cuerpo del cerrojo, los tetones, el canal del amartillado y el fiador. Periódicamente se deberá echar una gota de aceite adecuado en el expulsor y el extractor (*Fig. 17.1 y 17.2*) hasta obtener una finísima película de aceite.



Culata

- Se puede utilizar una brocha fina para eliminar el polvo del exterior.
- La culata sintética se puede limpiar fácilmente con un paño de microfibra humedecido.
- La culata de madera ha sido tratada con aceite en fábrica. Normalmente solo es necesario secarla después de su uso, aunque para conservarla en buen estado es conveniente repararla ocasionalmente con un buen aceite para culatas.
- Después de limpiar, engrase todas las piezas metálicas expuestas del rifle.

18. ALMACENAMIENTO

- Guarde el arma en una caja fuerte, incluyendo algún método para reducir la humedad relativa dentro de la misma.
- De vez en cuando, retire el arma de su lugar de almacenamiento y límpiela.
- Siga las normas legales de almacenamiento de armas.
- Si va a tener el arma durante un tiempo prolongado en el armero guárdelo sin amartillar, con el muelle del percutor en posición de descanso, que no esté comprimido.

19. B14 MODELO BMP

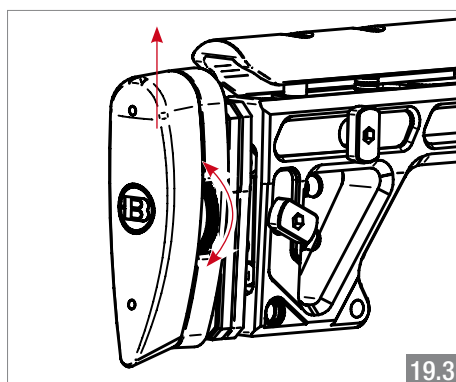
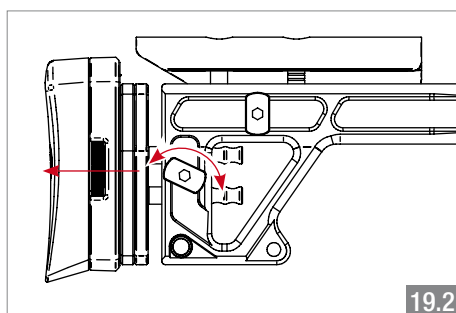
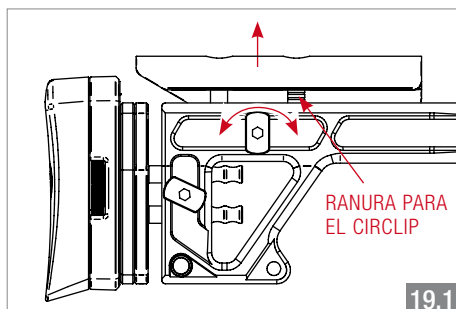
La culata BMP (Bergara Mach Precision) está fabricada con aluminio aeronáutico del tipo 7075 para garantizar un comportamiento impecable durante su uso. En este apartado encontrará los detalles que debe saber sobre el funcionamiento de esta culata.

Regulación de la culata

La culata BMP está equipada con 3 sistemas de regulación que permiten al usuario adaptarlo a su complejión física y a su posición de tiro.

- La carrillera se puede ajustar en altura muy fácilmente. Gire el tornillo de regulación hacia la izquierda para liberar la carrillera, muévala hasta la altura deseada y por último gire el tornillo de regulación hacia la derecha para fijar la carrillera en su sitio. La guía delantera consta de ranuras para poder emplear arandelas circlip y así asegurar que la posición de la carrillera siempre será la misma al montarla después de haberla desmontado completamente. (Fig. 19.1)
- Este rifle se puede ajustar en 5 longitudes diferentes. Gire el tornillo de regulación hacia la izquierda para liberar el sistema, mueva la cantonera hasta una de esas posiciones y gire el tornillo hacia la derecha para fijarlo de nuevo. (Fig. 19.2)
- La cantonera se puede girar y regular en altura según la necesidad del usuario. Gire la ruleta hacia la izquierda para liberarlo, posiciónelo según sea necesario y gire la ruleta hacia la derecha para bloquear la cantonera de nuevo. (Fig. 19.3)

La culata BMP ofrece la posibilidad de incorporar elementos del AR-15:



- Empuñadura.
- Parte trasera (mediante un adaptador).
- Accesorios diversos (railes picatinny, bipodes...)

19. B14 MODELO BMP

Carga del rifle

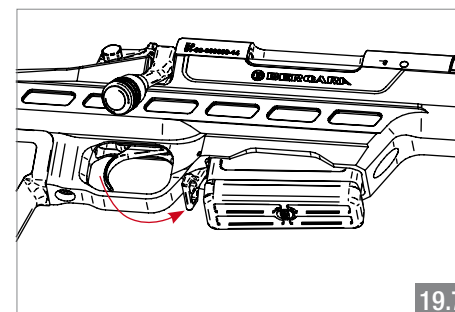
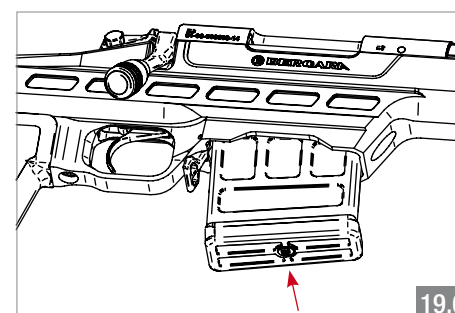
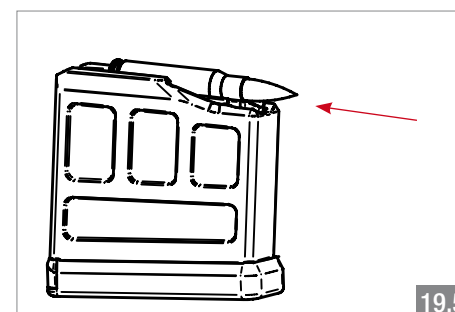
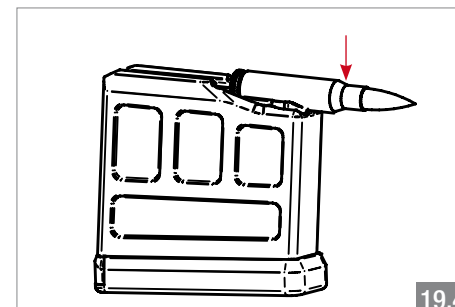
El cargador de la culata BMP se carga de la siguiente forma:

- Alimente el cargador por la apertura superior con la munición correspondiente. Para ello, empuje el cartucho hacia abajo (Fig. 19.4). Una vez apoyado en el fondo, deslícelo hacia atrás (Fig. 19.5). La capacidad del cargador es de 5 cartuchos + 1 en la recámara. Si no se ejecutan debidamente estas acciones pueden surgir problemas en el funcionamiento del arma.

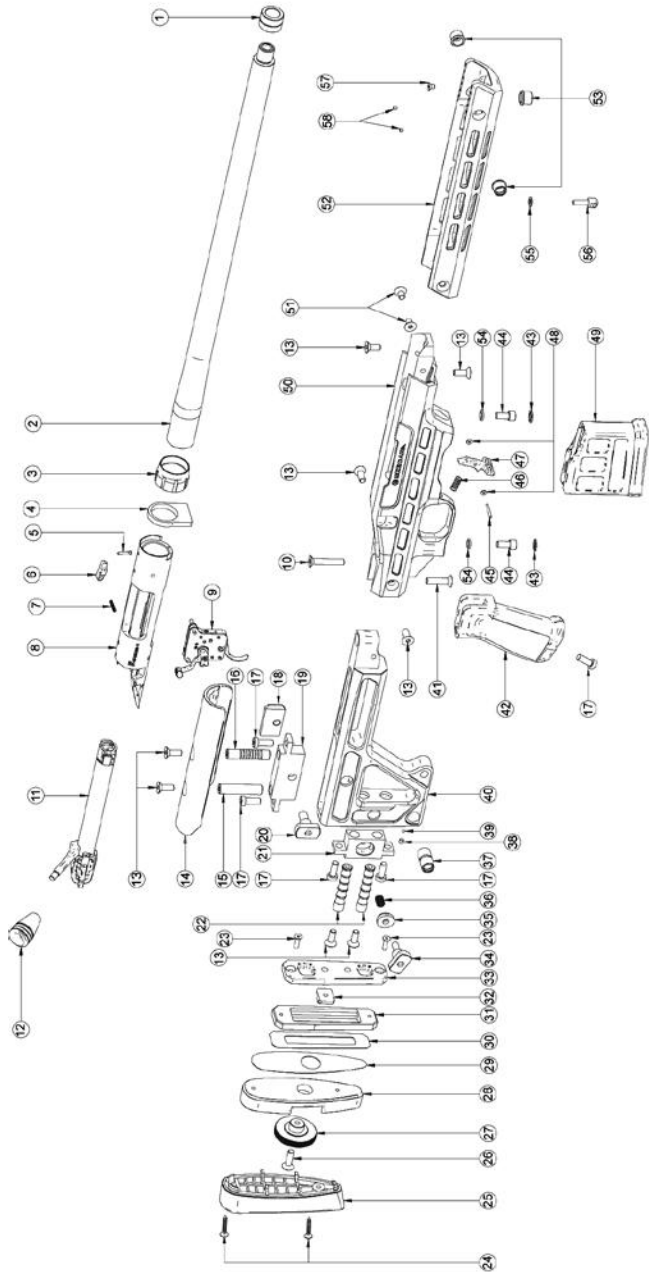
Consejo sobre seguridad:

Compruebe dos veces que la munición que está cargando es la correcta. El cañón del rifle tiene el calibre marcado en el lateral. Disparar munición de un calibre distinto al marcado en el cañón es muy peligroso y puede causar accidentes muy graves.

- Para colocar el cargador en su posición, empujelo dentro del guardamonte hasta el fondo con la parte de la salida de munición hacia arriba (Fig. 19.6). Inclinando ligeramente el cargador hacia adelante la colocación es más sencilla.
- Accionar la palanca situada en la parte trasera del guardamonte para liberar el cargador. (Fig. 19.7)



20. DESCRIPCIÓN B14 MODELO BMP

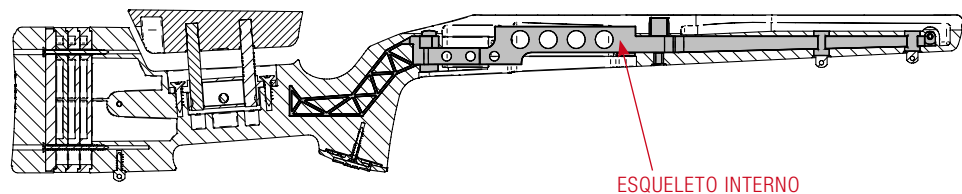


20. DESCRIPCIÓN B14 MODELO BMP

| ITEM Nº | DESCRIPCIÓN | ITEM Nº | DESCRIPCIÓN |
|---------|-------------------------------------|---------|-------------------------------------|
| 1 | Cubre rosca | 30 | Pegatina del guía |
| 2 | Cañón | 31 | Guía de la tuerca de regulación |
| 3 | Tuerca cañón | 32 | Tuerca de regulación cantonera |
| 4 | Recoil lug | 33 | Soporte de las guías |
| 5 | Tornillo de retención del cerrojo | 34 | Tornillo regulación de la cantonera |
| 6 | Palanca de retención del cerrojo | 35 | Tuerca de fijación de la cantonera |
| 7 | Muelle de retención del cerrojo | 36 | Muelle de fijación de la cantonera |
| 8 | Carcasa | 37 | Soporte porta correas trasero |
| 9 | Mecanismo del gatillo | 38 | Pasador roscado |
| 10 | Tornillo de unión culata | 39 | Bola de sujeción del soporte |
| 11 | Conjunto del cuerpo del cerrojo | 40 | Parte trasera |
| 12 | Pomo del cerrojo | 41 | Tornillo de unión de la culata |
| 13 | Tornillo de unión de la carrillera | 42 | Pistol grip |
| 14 | Carrillera | 43 | Retenedor de tornillo |
| 15 | Guía trasera carrillera | 44 | Tornillo de la carcasa |
| 16 | Guía delantera carrillera | 45 | Pasador de la palanca |
| 17 | Tornillos de sujeción de las bases | 46 | Muelle de la palanca |
| 18 | Tuerca de fijación de la carrillera | 47 | Palanca |
| 19 | Base de las guías de la carrillera | 48 | Arandela palanca |
| 20 | Tornillo regulación carrillera | 49 | Cargador |
| 21 | Base de las guías de la cantonera | 50 | Parte central |
| 22 | Guía de la cantonera | 51 | Tornillo de unión culata |
| 23 | Tornillo de fijación de piezas | 52 | Guardamanos |
| 24 | Tirafondo de la cantonera | 53 | Soporte porta correas delantero |
| 25 | Cantonera | 54 | Arandela de la carcasa |
| 26 | Tornillo regulación cantonera | 55 | Arandela de plástico |
| 27 | Ruleta regulación cantonera | 56 | Portacorreas delantero |
| 28 | Soporte cantonera | 57 | Tornillo sujeción soporte |
| 29 | Pegatina de goma del soporte | 58 | Pasador roscado |

21. B14 MODELO HMR

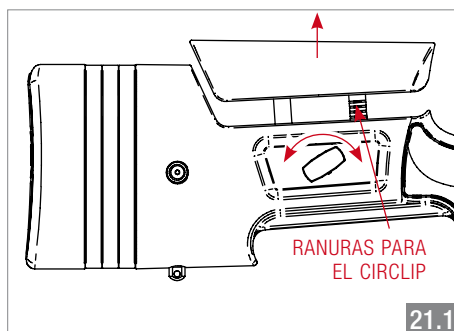
La culata HMR (Hunting Mach Rifle) esta provista de un esqueleto interior de aluminio lo que la hace perfecta para la caza a larga distancia. En este apartado encontrará los detalles que debe saber sobre el funcionamiento de esta culata..



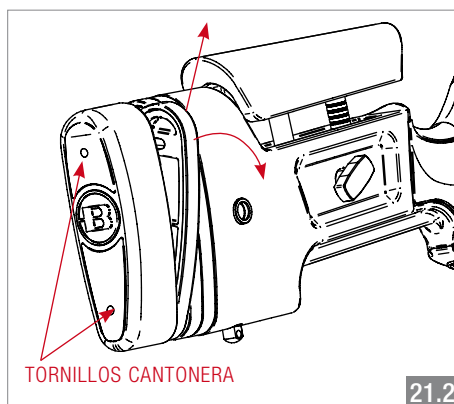
Regulación de la culata

La culata HMR está equipada con regulación en longitud y regulación de carrilera que permite al usuario adaptarlo a su gusto según la complejión física y posición de tiro de cada tirador.

- La carrillera se puede ajustar en altura muy fácilmente. Gire el tornillo de regulación hacia la izquierda para liberar la carrillera, muévala hasta la altura deseada y por ultimo gire el tornillo de regulación hacia la derecha para fijar la carrillera en su sitio. La guía delantera consta de ranuras para poder poner arandelas circlip y así asegurar que la posición de la carrillera siempre será la misma al montarla después de haberla desmontado completamente. (Fig. 21.1)
- Este rifle es ajustable en 4 longitudes diferentes. Se puede alargar la culata añadiendo separadores o acortarla quitándolos. Suelte los tornillo de la cantonera gire los separa-



21.1



21.2

dores por la parte de arriba para sacarlos y vuelva a atar el tornillo de nuevo. (Fig. 21.2)

21. B14 MODELO HMR

Carga del rifle

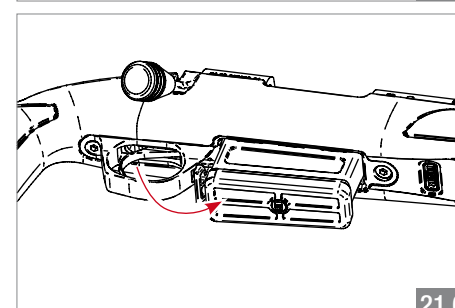
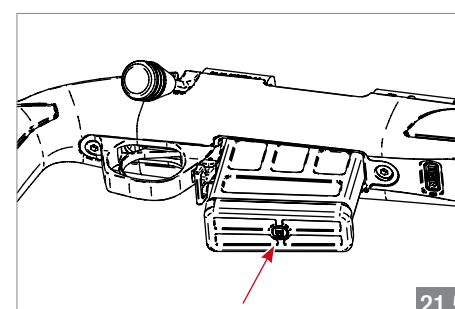
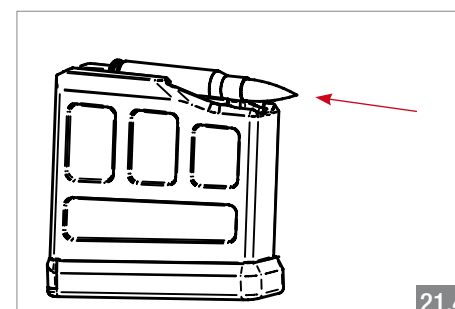
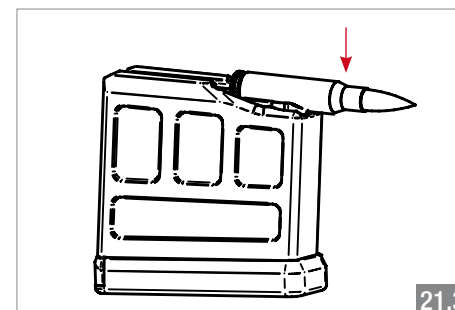
El cargador de la culata HMR se carga de la siguiente forma:

- Alimente el cargador por la apertura superior con la munición correspondiente. Para ello, empuje el cartucho hacia abajo (Fig. 21.3) Una vez apoyado en el fondo, deslícelo hacia atrás (Fig. 21.4). La capacidad del cargador es de 5 cartuchos + 1 en la recámara. Si no se ejecutan debidamente estas acciones pueden surgir problemas en el funcionamiento del arma.

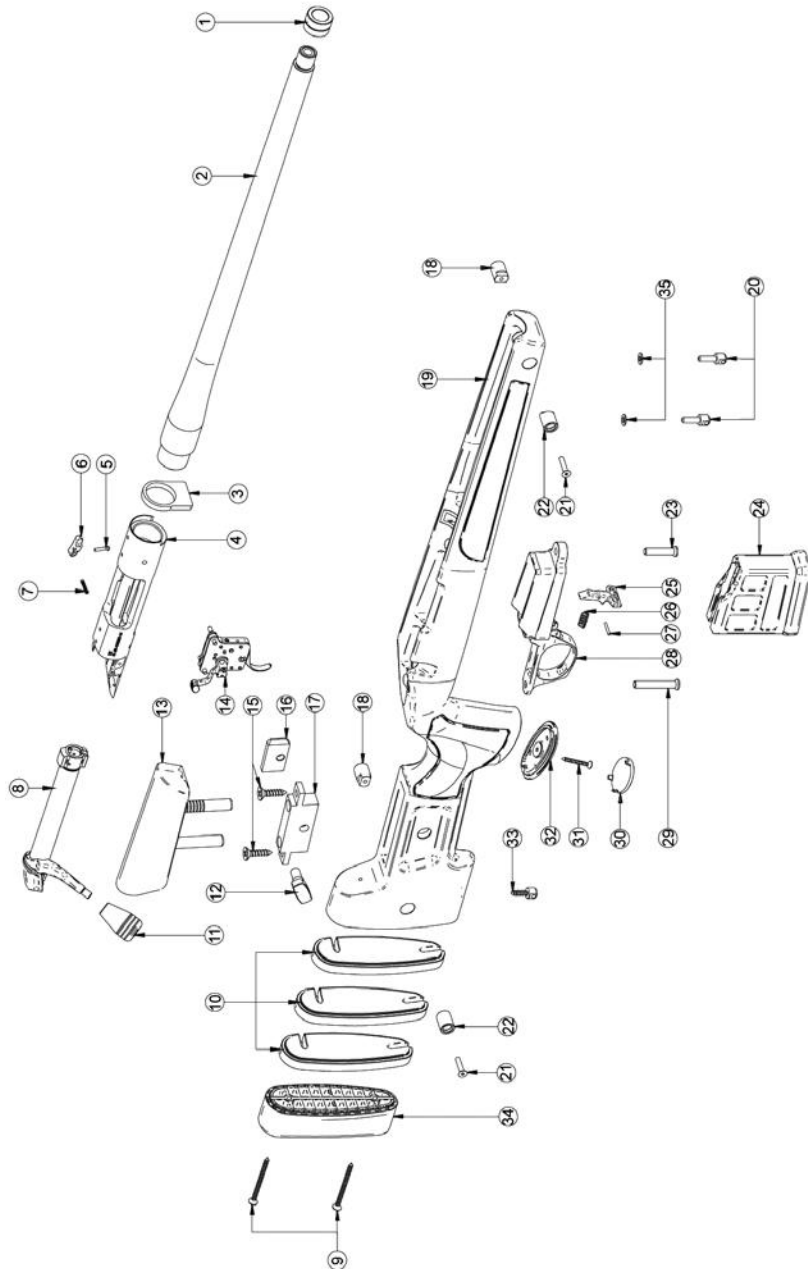
Consejo sobre seguridad:

Compruebe dos veces que la munición que está cargando es la correcta. El cañón del rifle tiene el calibre marcado en el lateral. Disparar munición de un calibre distinto al marcado en el cañón es muy peligroso y puede causar accidentes muy graves.

- Para colocar el cargador en su posición, empujelo dentro del guardamonte hasta el fondo con la parte de la salida de munición hacia arriba. (Fig. 21.5) Inclinando ligeramente el cargador hacia adelante la colocación es más sencilla.
- Inclinando ligeramente el cargador hacia adelante la colocación es más sencilla. (Fig. 21.6)



22. DESCRIPCIÓN B14 MODELO HMR



22. DESCRIPCIÓN B14 MODELO HMR

| ITEM Nº | DESCRIPCIÓN | ITEM Nº | DESCRIPCIÓN |
|---------|-------------------------------------|---------|--------------------------------------|
| 1 | Cubre rosca | 19 | Culata |
| 2 | Cañón | 20 | Rotula de la portacorrea delantera |
| 3 | Recoil lug | 21 | Tornillo de sujeción de los soportes |
| 4 | Carcasa | 22 | Soporte portacorreas derecho |
| 5 | Tornillo de retención del cerrojo | 23 | Tornillo delantero de la culata |
| 6 | Palanca de retención del cerrojo | 24 | Cargador |
| 7 | Muelle de retención del cerrojo | 25 | Palanca del cargador |
| 8 | Conjunto del cuerpo del cerrojo | 26 | Muelle de la palanca del cargador |
| 9 | Tirafondo cantonera | 27 | Pasador de la palanca del cargador |
| 10 | Separador cantonera | 28 | Guardamontes |
| 11 | Pomo del cerrojo | 29 | Tornillo trasero de la culata |
| 12 | Tornillo regulación carrillera | 30 | Tapa de escudo |
| 13 | Carrillera | 31 | Tornillo de fijación del escudo |
| 14 | Mecanismo del gatillo | 32 | Escudo |
| 15 | Tirafondo de sujeción de la base | 33 | Rotula de la portacorrea trasera |
| 16 | Tuerca de fijación de la carrillera | 34 | Cantonera |
| 17 | Base guía de la carrillera | 35 | Arandela de plástico |
| 18 | Soporte portacorreas izquierdo | | |

23. PREGUNTAS MAS FRECUENTES, CAUSAS Y SOLUCIONES

| PROBLEMA | CAUSA | SOLUCIÓN |
|--|--|---|
| El arma está cargada, aprieto el gatillo pero no sale el disparo | Munición defectuosa | Pruebe con otra munición |
| | El percutor no sale lo suficiente o lo hace con poca energía | Contacte con el Servicio de Asistencia Técnica (SAT) Bergara |
| | Percutor roto | |
| El cartucho no entra en la recámara | Munición de calibre incorrecto | Asegúrese que la munición es del calibre que corresponde |
| | El rifle ya está cargado | Sacar con mucho cuidado la vaina alojada |
| | Algo está obstruyendo la recámara o la recámara está muy sucia | Limpie cuidadosamente la recámara |
| | Recámara dañada | Contacte con el SAT Bergara |
| No puedo bajar la palanca del cerrojo | Recámara sucia (restos de vainas...) | Limpie la recámara. Si no se solventa contacte con el SAT Bergara |
| | Ha utilizado munición de otro calibre | Utilice munición correcta |
| | Expulsor bloqueado, rígido | Eche aceite, mueva a mano y si no se solventa contacte con el SAT Bergara |
| El arma se dispara al cerrar el cerrojo | Disparador dañado o desajustado | Pare inmediatamente, muy peligroso. Contacte con el SAT Bergara |
| El arma dispara con el seguro puesto | Cuidado! Muy peligroso. Disparador defectuoso | Contacte con el Servicio de Asistencia Técnica Bergara |
| El rifle ha disparado pero no extrae la vaina | | Contacte con el SAT Bergara |
| | El extractor no funciona correctamente | Compruebe que el expulsor "muellea" correctamente |
| | | Compruebe que el expulsor no está roto |
| | | Si alguna de las dos cosas sucede, contacte con el SAT Bergara |
| | Vaina defectuosa | Pruebe con otra munición |
| | Recámara dañada | Contacte con el SAT Bergara |

23. PREGUNTAS MAS FRECUENTES, CAUSAS Y SOLUCIONES

| PROBLEMA | CAUSA | SOLUCIÓN |
|--|---|---|
| No puedo introducir los cartuchos en el cargador | Seguidor mal colocado | Coloque el seguidor correctamente |
| | Cartuchos mal introducidos | Al introducir el cartucho hay que procurar que el culote toque la parte trasera del cargador. Es decir, hay que empujar la bala hacia abajo y hacia atrás como se indica en la página 40 de este manual |
| | Calibre de la munición incorrecto | Asegúrese que el calibre corresponde con el del cañón |
| El rifle disparado, extrae la vaina pero no la expulsa | Suciedad u óxido en el expulsor | Limpie adecuadamente y lubrique la zona |
| | El expulsor no funciona correctamente | Compruebe que el extractor "muellea" correctamente Compruebe que el extractor no está roto Si alguna de las dos cosas sucede, contacte con el Servicio de Asistencia Técnica Bergara |
| No puedo abrir la trampilla inferior del cargador | Suciedad o mantenimiento deficiente | Limpie y después lubrique la zona de la pestaña con aceite en spray |
| No puedo cerrar la trampilla del cargador | Defecto en el seguidor o en el muelle | Contacte con el SAT Bergara |
| El rifle no alimenta los cartuchos del cargador | Suciedad o mantenimiento deficiente | Limpie y después lubrique la zona de la pestaña con aceite en spray |
| | Defecto en el seguidor o en el muelle | Contacte con el SAT Bergara |
| | Cartuchos mal introducidos en el cargador | Saque las balas y alimente el cargador de nuevo asegurando que las balas se introducen bien según se indica en la página 40 de este manual |
| | Defecto en el seguidor o en el muelle | Contacte con el SAT Bergara |

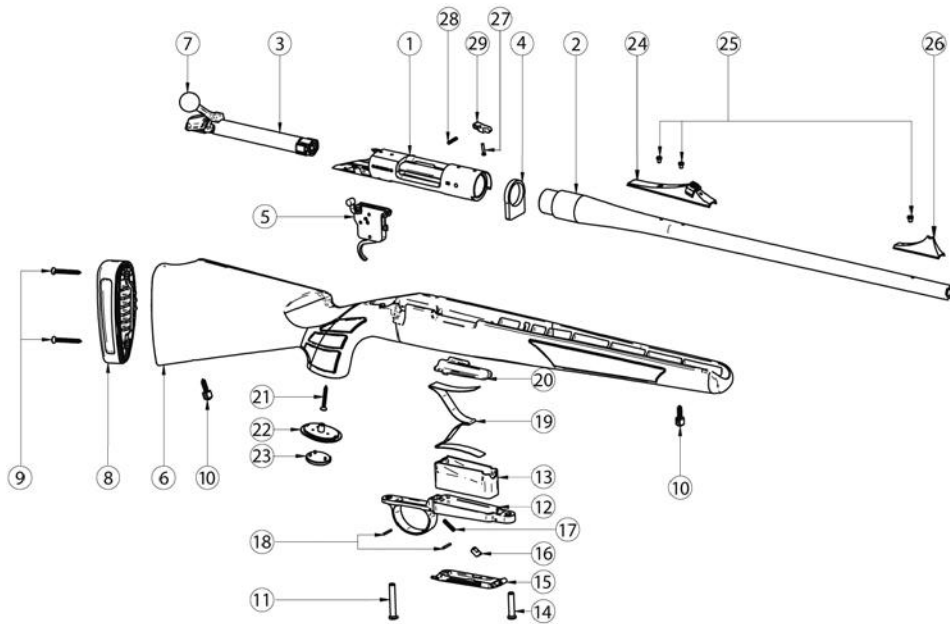
23. PREGUNTAS MAS FRECUENTES, CAUSAS Y SOLUCIONES

| PROBLEMA | CAUSA | SOLUCIÓN |
|--|---|---|
| El cerrojo se sale sin pulsar la palanca lateral (tope escamoteable) | El tope escamoteable está roto | Contacte con el SAT Bergara |
| Capuchón trasero girado | Giro accidental cuando el cerrojo estaba fuera | Gire el capuchón hasta su posición con la mano |
| El disparador está muy duro | Disparador mal ajustado, suciedad o disparador defectuoso | Regulación de la dureza del disparador por un armero cualificado o contacte con el Servicio de Asistencia Técnica Bergara |
| El movimiento del cerrojo es muy duro | Suciedad, lubricación defectuosa | Saque el cerrojo y limpie con cuidado el cerrojo y la acción |
| | Cerrojo golpeado | Contacte con el SAT Bergara |
| Se me está oxidando el arma | Mantenimiento inadecuado del rifle | Elimine el óxido y aceite el arma o contacte con el Servicio de Asistencia Técnica Bergara |
| Cuesta mucho subir la palanca | Suciedad o mantenimiento inadecuado | Limpie y lubrique adecuadamente |
| | Munición inadecuada que causa sobrepresiones | Utilice munición comercial |
| | Problema en el mecanismo del rifle | Contacte con el SAT Bergara |
| Se suelta la bola de la palanca | Rotura de rosca | Contacte con el SAT Bergara |
| | Se ha soltado de su alojamiento | Utilizando un producto de bloqueo de rosca, volver a ajustar la bola |

23. PREGUNTAS MAS FRECUENTES, CAUSAS Y SOLUCIONES

| PROBLEMA | CAUSA | SOLUCIÓN |
|--|--|--|
| El rifle no me agrupa | Munición inadecuada | Pruebe con otra munición |
| | Munición recargada | |
| | ¿Se te ha caído el arma? | Verifique el correcto estado del arma y de los elementos de visión. Si todo es OK y no agrupa, contacte con el SAT Bergara para evaluación de daños y garantía |
| | Suciedad u óxido en el cañón (sobre todo cerca de la boca del cañón) | Limpie adecuadamente el cañón según este libro de instrucciones |
| | Suciedad en recámara | |
| | Mira telescópica mal atada (base, anillas, visor) | Asegure que los elementos de puntería están bien atados con un par de 7 Nm |
| | Golpe en la boca del cañón (crowning) | Contacte con el SAT Bergara |
| | Accesorios montados en el cañón (excepto miras abiertas o visor) | Desmontar los accesorios que han sido montados al cañón |
| | Cañón está tocando la culata. Sin flotabilidad | Contacte con el SAT Bergara |
| | La culata no está bien atada | Asegurar que los tornillos están bien atados |
| | Disparador muy duro | Contacte con el SAT Bergara |
| | Recámara dañada | |
| Defectuoso cierre cerrojo-acción-cañón | | |

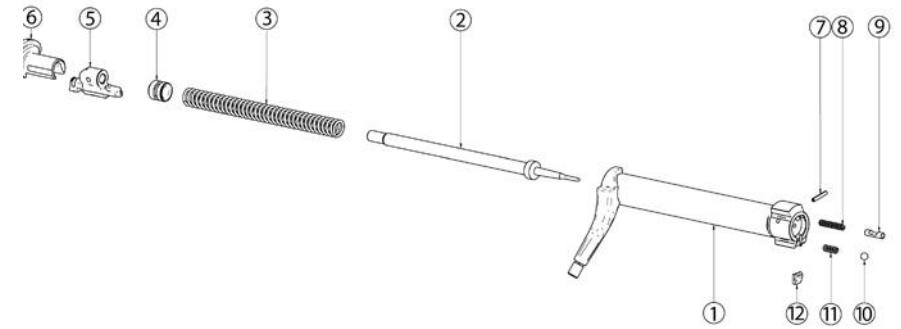
24. DESCRIPCIÓN GENERAL



| ITEM N° | DESCRIPCIÓN | ITEM N° | DESCRIPCIÓN |
|---------|---------------------------------|---------|-----------------------------------|
| 1 | Carcasa | 16 | Botón apertura cargador |
| 2 | Cañón | 17 | Muelle del botón de apertura |
| 3 | Conjunto del cuerpo del cerrojo | 18 | Pasadores guardamonte |
| 4 | Recoil lug | 19 | Muelle del cargador |
| 5 | Mecanismo del gatillo | 20 | Seguidor |
| 6 | Culata | 21 | Tornillo de fijación del escudo |
| 7 | Pomo del cerrojo | 22 | Escudo |
| 8 | Cantonera | 23 | Tapa del escudo |
| 9 | Tirafondo de la cantonera | 24* | Conjunto alza |
| 10 | Rótula de la portacorrea | 25* | Tornillo alza-mira |
| 11 | Tornillo trasero de la culata | 26* | Conjunto mira |
| 12 | Guardamonte | 27 | Tornillo de retención del cerrojo |
| 13 | Cargador | 28 | Muelle de retención del cerrojo |
| 14 | Tornillo delantero de la culata | 29 | Palanca de retención del cerrojo |
| 15 | Bandeja del cargador | | |

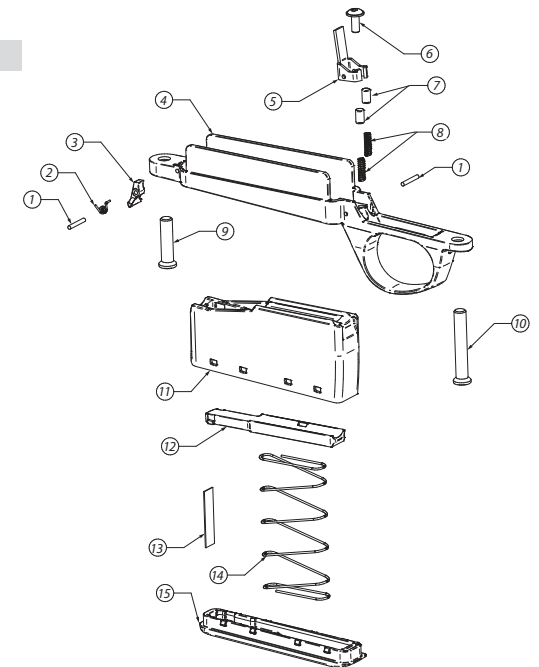
* Alzas y miras disponibles sólo en algunas configuraciones

24. DESCRIPCIÓN GENERAL



| ITEM N° | DESCRIPCIÓN | ITEM N° | DESCRIPCIÓN |
|---------|------------------------|---------|----------------------|
| 1 | Cuerpo del cerrojo | 7 | Pasador del expulsor |
| 2 | Percutor | 8 | Muelle del expulsor |
| 3 | Muelle del percutor | 9 | Expulsor |
| 4 | Casquillo del percutor | 10 | Bola del extractor |
| 5 | Enganche del percutor | 11 | Muelle del extractor |
| 6 | Cubierta del percutor | 12 | Extractor |

| ITEM N° | DESCRIPCIÓN |
|---------|---------------------------------|
| 1 | Pasador guardamonte |
| 2 | Muelle palanca |
| 3 | Palanca sujeción cargador |
| 4 | Guardamonte cargador |
| 5 | Chapa empuje cargador |
| 6 | Tornillo regulador |
| 7 | Pasador empuje |
| 8 | Muelle empuje |
| 9 | Tornillo delantero de la culata |
| 10 | Tornillo trasero de la culata |
| 11 | Cuerpo cargador |
| 12 | Seguidor |
| 13 | Chapa cargador |
| 14 | Muelle cargador |
| 15 | Tapa cargador |



25. GARANTÍA

Por favor, dirija sus dudas acerca de la garantía a:

Para EEUU /Canadá:

Info@bergararifles.com

contact@bergarausa.com

O por correo ordinario a:

DIKAR S. Coop

Ugarte, 26

20570 Bergara - Gipuzkoa (Spain)

Bergara North America

BPI Outdoors

1270 Progress Center Ave. Suite 100

Lawrenceville, GA 30043

El rifle B14 está garantizado contra cualquier defecto de fabricación de por vida. Esta garantía se otorga al comprador original y no es transferible. Esta garantía no cubre el uso y desgaste normal, el acabado del metal o la madera, el abuso o mal uso, los daños materiales, el coste de los inconvenientes o la falta de uso.

Esta garantía le otorga ciertos derechos legales y usted puede tener otros derechos que varían de un estado a otro o de un país a otro. Aparte de los supuestos de anulación de garantía recogidos en los diferentes apartados de este manual, la garantía no tiene validez si:

- Terceras personas han realizado reparaciones no autorizadas en este manual.
- El arma es devuelta en condiciones descuidadas (sucia, con corrosión...).
- Se ha utilizado munición militar, munición recargada o no autorizada por el CIP o SAAMI.
- Daños como consecuencia de no haber respetado las instrucciones dadas en este manual.

El arma viene identificada con su número de serie en el lateral de la carcasa o acción.

IMPORTANTE: ¡En caso de devolución, asegúrese de que el arma esté descargada!



Servicio de Asistencia Técnica (SAT):

BERGARA

DIKAR S. Coop

Ugarte, 26

20570 Bergara - Gipuzkoa (Spain)

Tel.: +34 943 769 893

info@bergararifles.com

www.bergararifles.com

Facebook: Bergara Rifles Europe

Youtube: bergarainternational

Servicio de Asistencia Técnica EEUU:

Bergara North America

BPI Outdoors

1270 Progress Center Ave. Suite 100

Lawrenceville, GA 30043

800 320-8767

www.bergarausa.com

contact@bergarausa.com

Facebook: Bergara USA

Youtube: Bergara US



INHALTSVERZEICHNIS

DE

| | |
|--|-------|
| 1. Einleitung | 68 |
| 2. Sicherheit im Allgemeinen | 69-70 |
| 3. Vor dem Abfeuern der Büchse | 71 |
| 4. Laden der Büchse | 72 |
| 5. Laden der Munition mit entnehmbarem Magazin | 72 |
| 6. Funktionsweise des Systems mit entnehmbarem Magazin | 73 |
| 7. Montage des Kits eines entnehmbaren Magazins | 73 |
| 8. Büchse abfeuern | 74-75 |
| 9. Einschießen des Laufs | 76 |
| 10. Entfernen einer in der Seele des Laufs festsitzenden Patrone | 76 |
| 11. Verwendung von Militärmunition | 76 |
| 12. Einstellung des Abzugsgewichts | 77 |
| 13. Sicherheitstest des Abzugs | 78 |
| 14. Zerlegen der Waffe zu deren Reinigung | 78 |
| 15. Montage des Zielfernrohrs | 78-79 |
| 16. Zerlegen der Waffe zu deren Reinigung | 79 |
| 17. Reinigung und Wartung | 80-81 |
| • Lauf | 80 |
| • Gehäuse (System) und Verschluss | 81 |
| • Kolben und Handschutz | 81 |
| 18. Lagerung | 81 |
| 19. B14 Modell BMP | 82-83 |
| • Einstellung des Kolbens | 82 |
| • Laden der Büchse | 83 |
| 20. Beschreibung B14 Modell BMP | 84-85 |
| 21. B14 Modell HMR | 86-87 |
| • Einstellung des Kolbens | 86 |
| • Laden der Büchse | 87 |
| 22. Beschreibung B14 Modell HMR | 88-89 |
| 23. Häufig gestellte Fragen, Ursachen und Lösungen | 90-93 |
| 24. Allgemeine Beschreibung | 94-95 |
| 25. Garantie | 96 |

1. EINLEITUNG UND ALLGEMEINE SICHERHEIT

Vielen Dank für den Kauf einer Repetierbüchse mit Zylinderverschluss Bergara B14.

Wir hoffen, dass diese Büchse Ihren Erwartungen entspricht, Ihren Zwecken dient und Ihnen einige Jahre lang Freude bereitet.

Lesen Sie dieses Handbuch. Der Bediener muss sich mit vielen Eigenschaften vertraut machen, um die Waffe auf sichere Art und Weise zu benutzen.

Die Zukunft der Schießsportarten liegt in Ihrer Hand.

Die Unfälle, die missbräuchliche Verwendung von Schusswaffen usw. werden als Gründe für ein Verbot der Schießsportarten im Allgemeinen und von Waffen im Speziellen betrachtet.

Seien Sie verantwortungsvoll, erhöhen Sie die Sicherheit und achten Sie auf Sicherheitshinweise anderer Schützen.

Sollten Sie nach dem Lesen der in diesem Handbuch beschriebenen Anweisungen und Risiken nicht dazu bereit sein, die Verantwortung zu akzeptieren, die es erfordert, eine Waffe auf sichere Art und Weise zu handhaben und abzufeuern, bringen Sie die Waffe an Ihren Händler zurück.

Um eine sichere Benutzung der Waffe zu gewährleisten, müssen alle Sicherheitsmaßnahmen berücksichtigt werden!

2. SICHERHEIT IM ALLGEMEINEN

10 Sicherheitsbestimmungen für die Handhabung Ihrer Waffe

- 1 Halten Sie die Mündung der Büchse stets in eine sichere Richtung, auch wenn die Büchse entladen ist.
- 2 Seien Sie sich Ihres Ziels und dem, was dahinter liegt, sicher, bevor Sie auf etwas zielen.
- 3 Verlassen Sie sich nie auf die mechanischen Sicherheit einer Waffe.
- 4 Die Waffe muss bis zum Zeitpunkt deren Benutzung entladen sein.
- 5 Verwenden Sie stets Augen- und Gehörschutz.
- 6 Der Lauf muss vor dem Laden und dem Schuss frei von einer jeden Art von Blockierung sein.
- 7 Behandeln Sie jede Waffe so, als wäre sie geladen.
- 8 Lagern Sie die Waffen und die Munition voneinander getrennt und in einem mit Schlüssel verschlossenem Bereich.
- 9 Vermeiden Sie vor und während der Benutzung einer Waffe den Konsum von alkoholischen Getränken und Drogen.
- 10 Verändern oder modifizieren Sie Ihre Waffe nicht. Lassen Sie Ihre Waffe regelmäßig von einem kompetenten Büchsenmacher überprüfen. Versichern Sie sich vor jedem Gebrauch, dass jedes Teil ordnungsgemäß funktioniert.

2. SICHERHEITSERWÄGUNGEN FÜR ALLE WAFFEN

- Rauchen Sie niemals während des Schießens oder der Handhabung einer Waffe oder damit verbundener Materialien. Die Asche oder die Funken können ein Entzünden des Schießpulvers oder der Patronen verursachen, das zu Verletzungen oder zum Tod führen kann.
- Verwenden Sie stets einen Augenschutz. Es ist möglich, dass bei der Benutzung der Büchse Partikel aus dem Patronenlager oder der Mündung der Waffe überspringen.
- Überprüfen Sie die Waffe stets vor deren Gebrauch, um sich zu vergewissern, dass sich diese in einem guten Betriebszustand befindet. Prüfen Sie vor dem Laden sorgfältig den Abzug und das Öffnungssystem. Überprüfen Sie, dass der Lauf nicht blockiert ist. Ein jede Blockierung kann zur Explosion führen und schwere Verletzungen oder den Tod verursachen.
- Laden Sie niemals eine Waffe, bevor Sie nicht schussbereit sind. Die Patrone muss beim Gehen, beim Klettern auf Bäume oder Umzäunungen, bei der Übergabe der Waffe von einer Person zur anderen, beim Überspringen einer Wand oder eines Zauns usw. entfernt werden.
- Lehnen Sie eine Waffe niemals gegen die Wand, einen Baum, ein Fahrzeug oder eine andere Oberfläche. Der Sturz einer geladenen Waffe kann das unbeabsichtigte Auslösen der Waffe verursachen und zu schweren Verletzungen oder zum Tod führen.
- Transportieren Sie niemals eine geladene Waffe in einem Fahrzeug. Die Waffe wird als geladen betrachtet, solange sich die Patrone in dem Patronenlager befindet.
- Bewahren Sie niemals eine geladene Waffe auf. Die Waffe muss entladen sein und vor einer jeden Lagerung gereinigt werden.
- Laden Sie niemals eine Waffe, ohne sich zuvor zu vergewissern, dass der Lauf sauber und frei von Blockierungen ist. Fällt die Waffe versehentlich zu Boden, überprüfen Sie, dass der Lauf nicht blockiert worden ist.
- Seien Sie bei der Jagd von einem Baumsitz aus sehr vorsichtig. Das versehentliche Herunterfallen einer Waffe kann einen Schuss auslösen, der zu schweren Verletzungen oder zum Tod führen kann. Versichern Sie sich, dass die Waffe vor dem Hoch- oder Herunterklettern eines Baumes entladen ist.
- Verlassen Sie sich nie auf die mechanischen Sicherheit einer Waffe! Die mechanischen Geräte können versagen und tun dies auch. Die Waffen müssen unabhängig von der Stellung oder dem mechanischen Zustand der Sicherung stets wie eine schussbereite Waffe gehandhabt werden.
- Wenden Sie stets geeignete Reinigungsveahren an. Das Abfeuern eines Laufs mit schlechtem Wartungszustand oder mit Korrosion kann gefährliche Druckbedingungen bzw. eine Explosion des Laufs verursachen und zu schweren Verletzungen oder zum Tod führen.
- Richten Sie den Lauf niemals gegen etwas, das Sie nicht beschädigen möchten. Stellen Sie beim Tragen der Waffe über der Schulter sicher, dass die Mündung des Laufs nach oben zeigt.
- Versuchen Sie nicht, die Innenteile Ihrer Waffe zu verändern. Sollten Sie dies tun, kann es zu einer gefährlichen Situation kommen, die ein versehentliches Auslösen der Waffe hervorruft und zu schweren Verletzungen oder zum Tod führen kann. Diese Änderungen führen im Allgemeinen zum Erlöschen der Garantie.
- Lassen Sie die Waffe nicht unbeaufsichtigt oder in Reichweite von Kindern. In einigen Ländern steht dies per Gesetz unter Strafe.

3. VOR DEM ABFEUERN DER BÜCHSE

Machen Sie sich mit der Waffe vertraut. Lernen Sie ohne Munition, wie die Büchse funktioniert und wie man diese benutzt. Empfehlungen vor Benutzung der Büchse:

- Die Büchse wird verpackt mit von der Kammer demontierten Verschluss geliefert. Überprüfen Sie vor der Montage des Verschlusses, ob die Büchse entladen ist, d. h., dass sich keine Hülse im Patronenlager befindet oder der Lauf blockiert ist.
- Stellen Sie sicher, dass sich keine Patrone in dem Magazin befindet.
- Reinigen Sie den Lauf von innen, wie in dem Abschnitt "Reinigung und Wartung" beschrieben.
- Reinigen Sie das überschüssige Öl am Verschluss und im Bereich des Systemkastens.
- Geben Sie den Verschluss Kammerverschluss ein, wie in dem Punkt "Demontage der Waffenkomponenten zu deren Reinigung" dieses Handbuchs beschrieben.
- Überprüfen Sie die ordnungsgemäße Funktion des Auslöser, indem Sie diesen mehrfach betätigen.
- Sobald Sie die vorherigen Schritte ausgeführt haben, können Sie die Waffe laden, wie in dem folgenden Punkt dieses Handbuchs beschrieben.
- Beim erstmaligen Abfeuern einer Büchse wird empfohlen, das Einschießen des Laufs vorzunehmen. Das Verfahren wird im Abschnitt "Einschießen des Laufs" beschrieben.

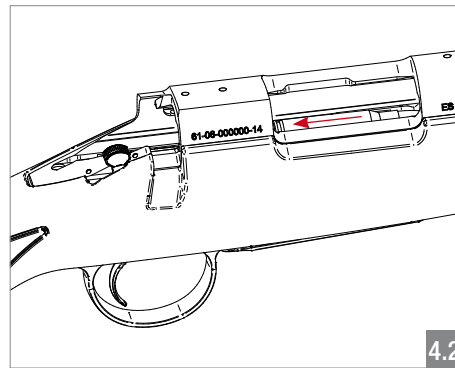
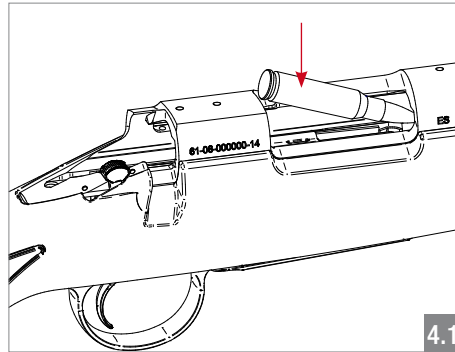
4. LADEN DER BÜCHSE

Die B14 wird wie folgt benutzt:

Laden Sie das Magazin über die obere Öffnung des Zylinderschlusses mit der entsprechenden Munition. Drücken Sie dazu die Patrone nach unten (Abb. 4.1). Sobald drinnen, schieben Sie diese nach hinten (Abb. 4.2). Die Kapazität des Magazins in den Standardkalibern beträgt 4 + 1 Patrone in dem Patronenlager und in den Magnum 3 + 1 Patrone. Werden diese Handlungen nicht ordnungsgemäß ausgeführt, können Probleme im Betrieb der Waffe auftreten.

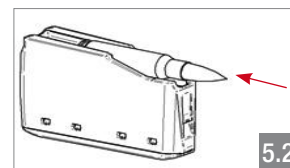
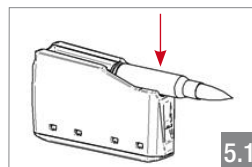
Sicherheitshinweis:

Überprüfen Sie zweimal, dass die Munition, die Sie laden, die richtige ist. Der Lauf der Büchse hat das an der Seite gekennzeichnete Kaliber. Das Verschießen von Munition eines Kalibers, das von dem auf dem Lauf gekennzeichneten Kaliber abweicht, ist extrem gefährlich und kann zu schweren Unfällen führen.



5. LADEN DER MUNITION MIT ENTNEHMBAREM MAGAZIN

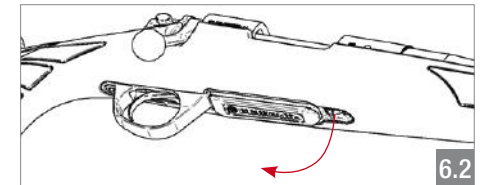
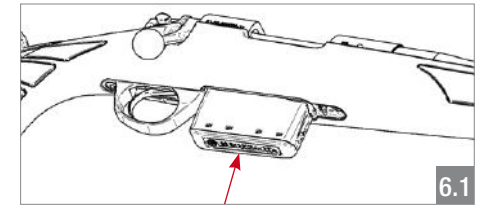
Laden Sie das Magazin über die obere Öffnung mit der entsprechenden Munition. Drücken Sie dazu die Patrone nach unten (Abb. 5.1). Sobald die Patrone den Boden berührt, schieben Sie diese nach hinten (Abb. 5.2). Die Kapazität des Magazins beträgt in den Standardkalibern 3 Patronen und in den Magnum 2 Patronen. Werden diese Handlungen nicht ordnungsgemäß ausgeführt, können Probleme im Betrieb der Waffe auftreten.



6. FUNKTIONSWEISE DES SYSTEMS DES ENTNEHMBAREN MAGAZINS

Um das Magazin in seine Position zu bringen, schieben Sie es innerhalb des Abzugsbügels bis zum Anschlag, mit dem Munitionsauslass nach oben. (Abb. 6.1)

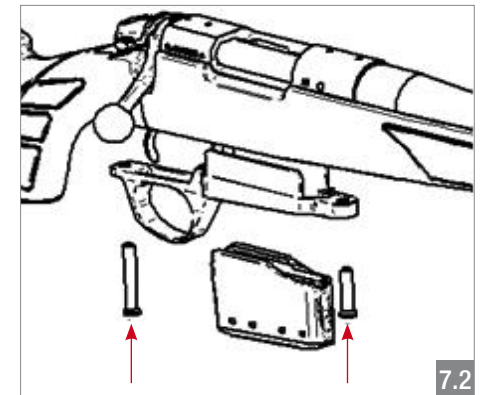
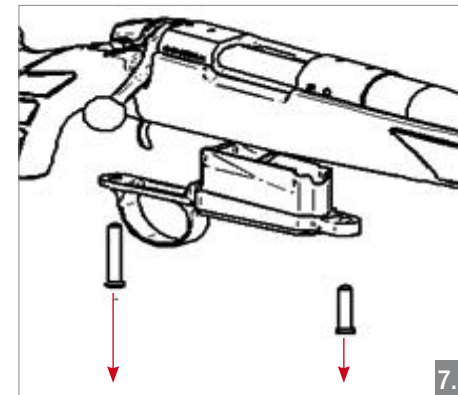
Betätigen Sie den in dem vorderen Teil des Abzugsbügels befindlichen Hebel, um das Magazin zu entsperren. (Abb. 6.2)



7. MONTAGE DES KITS EINES ABNEHMBAREN MAGAZINS

Die Büchse B14 verfügt über ein Kit eines abnehmbaren Magazins für Büchsen mit Magazinfach. Für eine ordnungsgemäße Befestigung dieses Kits empfiehlt es sich, die folgenden Schritte auszuführen.

- Lösen Sie die Schrauben, die das Abzugsschloss befestigen, und ziehen Sie dieses mit all seinen Teilen heraus. (Abb. 7.1)



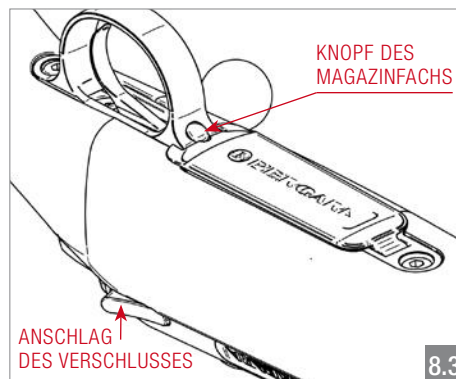
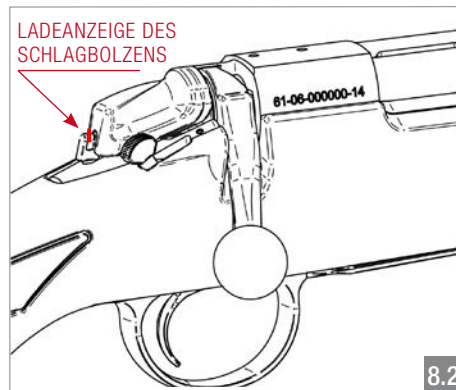
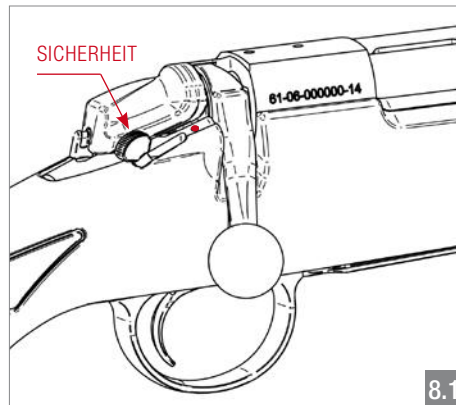
- Platzieren Sie den neuen Abzugsbügel in dem Kolben und befestigen Sie es an der Büchse mittels der Schrauben, die Ihnen zusammen mit diesem Kit zur Verfügung gestellt worden sind (Abb. 7.2). Der Anzugsdrehmoment dieser Schrauben beträgt 6,2Nm (55lbs in).
- Geben Sie das Magazin in das Abzugsschloss ein.

8. DIE BÜCHSE ABFEUERN

- Ziehen Sie den Verschluss und versichern Sie sich, dass die Waffe entladen ist. Überprüfen Sie ebenfalls, dass die Seele nicht blockiert wird. Versichern Sie sich, dass das Magazin-fach geschlossen ist.
- Die Sicherung der Waffe kann nicht betätigt werden, wenn sich der Sicherungshebel des Verschlusses in der unteren Position befindet und die Büchse nicht gespannt ist, die Büchse ist nicht geladen. Sobald der Hebel des Verschlusses angehoben ist, können Sie die Büchse in Sicherungsstellung bringen. Stellen Sie die Büchse also auf Sicherung, sobald der Sicherungshebel des Verschlusses angehoben ist und bevor Sie eine Patrone in das Patronenlager eingeben. Die Büchse wird durch Ziehen des Sicherungshebels nach hinten auf den weißen Punkt in Sicherungsstellung gebracht. (Abb. 8.1)
- Verschieben Sie den Riegel. Überprüfen Sie die rote Anzeige des geladenen Schlagbolzens. (Abb. 8.2)
- Sind Sie bereit zum Schießen, entfernen Sie die Sicherung (Hebel nach vorne) und ziehen Sie sanft den Abzug.

Sicherheitshinweis:

Stellen Sie beim Laden der Waffe sicher, den Hebel bis zum Anschlag zu senken.



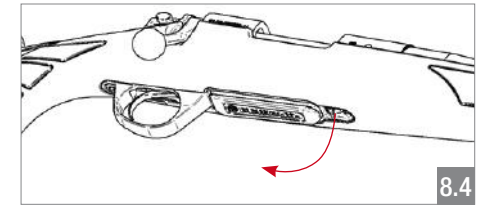
8. DIE BÜCHSE ABFEUERN

Sicherheitshinweise:

Verwenden Sie die Büchse nicht, wenn die Anzeige des gespannten Schlagbolzens bei geschlossenem Verschluss nicht übersteht. Bringen Sie die Waffe zur Revision zu einem qualifizierten Büchsenmacher oder kontaktieren Sie den **Technischen Kundendienst von Bergara**.

Feuert die Büchse bei Ziehen des Abzugs einer geladenen Waffe nicht ab, halten Sie die Büchse in eine sichere Richtung und warten Sie 30 Sekunden, bevor Sie den Verschluss öffnen. Der Verschluss ist mit äußerster Vorsicht zu öffnen.

Besteht der Verdacht, dass ein Fehlschuss abgegeben wurde und dass die Kugel nicht aus dem Lauf ausgetreten ist, entfernen Sie den Verschluss und überprüfen Sie dies. Diese Situation kann eintreten, wenn das Schießpulver schlecht ist, sich nicht entzündet oder nur eine teilweise Verbrennung stattfindet. Bringen Sie die Waffe in diesem Fall zur Revision zu einem qualifizierten Büchsenmacher oder kontaktieren Sie den **Technischen Kundendienst von Bergara**.



- Öffnen Sie nach Abgabe des Schusses den Verschluss, ziehen Sie ihn bis zum Anschlag nach hinten, schieben Sie ihn dann nach vorne und schließen Sie den Verschluss. Versichern Sie sich, dass die Waffe die benutzte Hülse auswirft. Es ist wichtig, den Verschluss bis zum Anschlag und nicht nur einen einfachen kurzen Weg zu ziehen, da die Waffe verstopfen könnte.
- Ziehen Sie zum Entleeren der Waffe den Verschluss des Gehäuses und entfernen Sie die Munition durch Drücken des Knopfes des Magazin-fachs (Abb. 8.3) oder entnehmen Sie das abnehmbare Magazin. (Abb. 8.4)
- Kontrollieren Sie, dass sich keine Patrone in dem Patronenlager befindet.

9. EINSCHIESSEN DES LAUFS

Während der Herstellung kommt es zur Erzeugung mikroskopischer Unebenheiten in der Seele des Laufs. Diese Unebenheiten werden nach verschiedenen Reihen an Schüssen geglättet. Werden diese Unebenheiten ordnungsgemäß beseitigt, verschmutzt der Lauf weniger, kann einfacher gereinigt werden, ist glatter und gewinnt an Präzision.

Das Verfahren der Entfernung genannter Unebenheiten nennt sich "Einschießen des Laufs". Das Verfahren besteht darin, einen

Schuss oder eine Reihe davon zu lösen und im Anschluss die Seele zu reinigen.

Lassen Sie den Lauf auskühlen, bevor Sie mit der Reinigung beginnen.

Empfohlenes Einschießverfahren:

- Bei den ersten 5 Schüssen die Waffe nach jedem Schuss reinigen.
- Bei den folgenden 50 Schüssen die Waffe nach jedem 10. Schuss reinigen.
- Bei den darauffolgenden Schüssen die Waffe häufig reinigen.

10. ENTFERNEN EINER IN DER SEELE FESTSITZENDEN KUGEL

Sicherheitshinweis:

Versuchen Sie nicht, die festsitzende Kugel mit weiteren Folgeschüssen zu entfernen, da der erzeugte Druck die Waffe zerstören und dabei den Schützen verletzen kann.

Bringen Sie die Waffe zur Revision zu einem qualifizierten Büchsenmacher oder kontaktieren Sie den **technischen Kundendienst von Bergara**.

11. VERWENDUNG VON MILITÄRMUNITION

Die Militärmunition, wobei es sich um die 5,56 NATO und die 7,62 NATO handeln kann, hat im Allgemeinen eine größere Dicke als die Zivilmunition, wobei es sich um die .222 Remington und die .308 Winchester handeln kann. Es gibt weitere Unterschiede in den Abmessungen

des Patronenlagers und dem Druck, mit dem die Munition für gewöhnlich geladen wird. Aus diesem Grund empfehlen BERGARA und das Sporting Arms and Ammunition Manufacturers' Institute (SAAMI), keine Militärmunition in Zivilwaffen zu verwenden.

12. EINSTELLUNG DES AUSLÖSEGEWICHTS

Die B14 verfügt über einen komplett einstellbaren Abzugsmechanismus.

Das Abzugsgewicht ab Werk liegt bei ca. 1 kg (2.2 lbs). Die mögliche Einstellung ist von etwa 1 kg (2.2 lbs) bis 2 kg (4.4 lbs) bei allen Modellen.

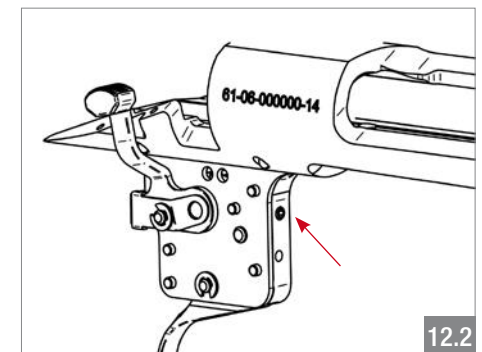
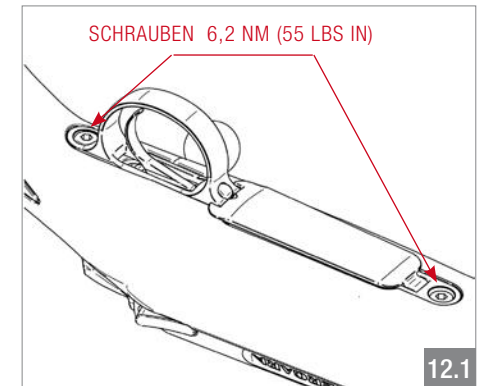
Sicherheitshinweise:

Wechseln Sie den Auslösemechanismus nicht durch ein anderes Fabrikat eines anderen Unternehmens aus. Es kann sein, dass dieses in Ihre Waffe passt, dennoch ist es möglich, dass es nicht ordnungsgemäß funktioniert und somit nicht sicher ist. Der Austausch des Auslösemechanismus führt zum Erlöschen der Garantie.

Der Auslöser sollte ausschließlich durch einen qualifizierten Büchsenmacher oder vom Hersteller eingestellt werden.

Um die Stellschraube zu erreichen ist es erforderlich, den Kolben zu demontieren. Entsperren Sie dazu das Magazinfach und lösen Sie die Schrauben des Abzugsbügels (Abb. 12.1). Der Kolbens kann bei dessen Entfernung im Gehäuse steckenbleiben, und es kann sein, dass dessen Demontage eine Weile in Anspruch nimmt.

Die Regulierschraube des Auslösegewichts (Abb. 12.2) stellt die erforderliche Kraft ein, um den Auslöser zu ziehen.



Sicherheitshinweis:

Der Auslöser sollte ausschließlich durch einen qualifizierten Büchsenmacher oder vom Hersteller eingestellt werden.

13. SICHERHEITSTEST DES AUSLÖSERS

Nach Einstellen des Auslösers sollten die folgenden Tests durchgeführt werden:

- Schließen Sie den Verschluss so schnell wie möglich. Die Ladeanzeige muss sichtbar bleiben. Ist dies nicht der Fall, kontaktieren Sie den technischen Kundendienst (SAT) von Bergara.
- Überprüfen Sie das Auslösegewicht mit einer Gewichtsskala. Liegt das Abzugsgewicht unter 1,2 kg (2,8 lbs), erhöhen Sie es.

- Simulieren Sie einen Schuss und führen Sie einen Gesamtzyklus durch. Die rote Ladeanzeige muss sichtbar sein. Ist dies nicht der Fall, kontaktieren Sie den technischen Kundendienst.

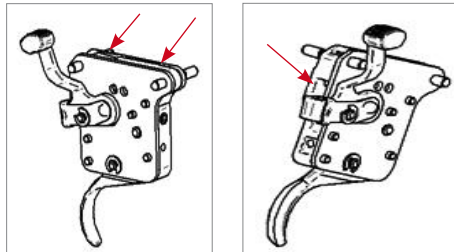
Sicherheitshinweis:

Führen Sie diese Tests niemals mit geladener Waffe durch.

14. WARTUNG DES AUSLÖSERS

Der Auslöser muss regelmäßig geschmiert werden, um eine angemessene Erhaltung desselben zu gewährleisten.

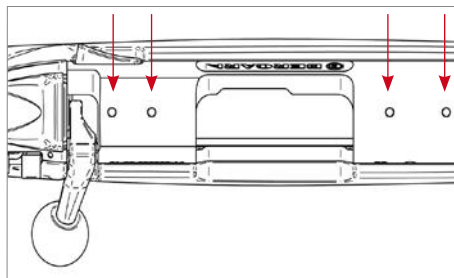
Es wird empfohlen, mit einem feinen flüssigen Schmiermittel zu sprühen und keine Festschmierstoffe wie Vaseline anzuwenden.



15. MONTAGE DES ZIELFERNROHRS

Das Gehäuse hat 4 Gewindebohrungen. Die kommerziellen, für die Remington® 700™ gültigen Schienen eignen sich für die BERGARA B14. Verwenden Sie Ringe von angemessener Höhe.

Bei der Installation der Schiene oder des Rings des Zielfernrohrs wird empfohlen, einen mit Loctite® 242 vergleichbaren Gewindeblockierer zu verwenden. Dies verhindert, dass sich das Ziel-



fernrohr durch den Rückstoß im Lauf der Zeit lockert.

15. MONTAGE DES ZIELFERNROHRS

Folgen Sie zur Installation des Zielfernrohrs den vom Hersteller der Zielfernrohre zur Verfügung gestellten Anweisungen.

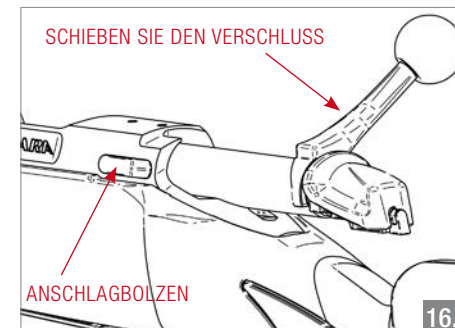
Versichern Sie sich, dass Sie zur Befestigung der Schienen die Schrauben der richtigen Länge verwenden. Die Schrauben dürfen nicht im inneren Teil des Gehäuses herausragen. Normalerweise sind die beiden vorderen Schrauben länger als die hinteren. Der Austausch der Position der Schrauben kann Probleme im Betrieb der Waffe verursachen.

Sicherheitshinweis: *Schießen Sie stets mit Schutzbrille. Installieren Sie das Zielfernrohr nicht zu nah am Auge. Durch den Rückstoß kann das Zielfernrohr das Gesicht des Schützen treffen und diesen verletzen. Ein praktischer Tipp: Überprüfen Sie, dass die Faust des Schützen zwischen dem Auge und dem Zielfernrohr Platz hat. Ist der Augenabstand der Zielfernrohre zu kurz, tauschen Sie diesen durch einen höheren Augenabstand aus.*

16. DEMONTAGE DER WAFFE ZU DEREN REINIGUNG

Folgen Sie bei der Demontage der Waffe zu deren Reinigung oder Inspektion den folgenden Schritten (**Abb. 16.1**):

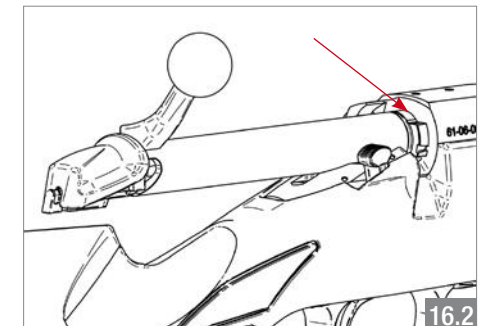
- Entleeren Sie die Waffe durch Öffnen des Magazin-fachs oder entfernen Sie das abnehmbare Magazin.
- Positionieren Sie den Verschluss ca. 25 mm (1 Zoll) vor dessen Anschlag.
- Drücken Sie die Entriegelung des Anschlagbolzens und entfernen Sie den Verschluss.



- Überprüfen Sie, dass keine Munition vorhanden ist, indem Sie das Innere des Laufs von der Seite des Patronenlagers aus begutachten.

Für die Montage der demontierten Waffe (**Abb. 16.2**):

- Drücken Sie die Entriegelung des Anschlagbolzens und geben Sie den Verschluss ein. Drehen Sie den Verschluss, bis dieser an den Kanal angepasst ist.
- Überprüfen Sie, dass das Magazinfach geschlossen ist. Ist dies nicht der Fall, schließen Sie



17. REINIGUNG UND WARTUNG

Im Allgemeinen ist die B14 eine wartungsfreundliche Waffe. In diesem Abschnitt finden Sie alle notwendigen Informationen, um die Büchse in gutem Zustand zu halten.

Wird die Büchse nach dem Schießen nicht ordnungsgemäß innerhalb von 24 Stunden gereinigt, beginnt Korrosion an einigen Waffenkomponenten aufzutreten. In feuchten Umgebungen ist das Auftreten der Korrosion noch wahrscheinlicher als unter normalen Bedingungen.

Aus diesem Grund wird es empfohlen, die folgenden Teile regelmäßig zu reinigen, insbesondere nach einem Tag auf der Jagd oder dem Schießplatz (konsultieren Sie stets die vom Hersteller der verwendeten Chemikalien bereitgestellten Anweisungen):

Lauf

Die hohe Qualität des Laufs Ihrer Büchse von Bergara erfordert eine ordnungsgemäße Pflege, um die Präzision beizubehalten. Sie sollten den folgenden Ratschlägen folgen:

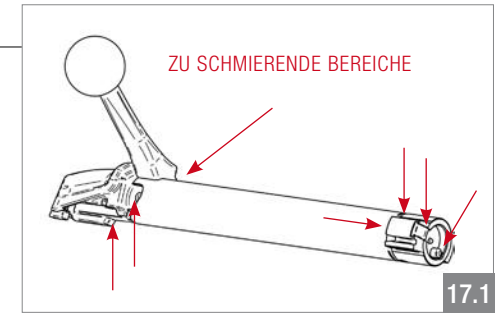
- Die Richtung der korrekten Reinigung verläuft vom Patronenlager bis zur Spitze des Laufs. Reinigen Sie den Lauf in entgegengesetzter Richtung, wird die Präzision spürbar beeinträchtigt.
- Verwenden Sie wenn möglich einen einteiligen und qualitativ hochwertigen Reinigungsstab, um Beschädigungen am Schaft zu vermeiden.
- Verwenden Sie geeignete Reinigungsmittel, um den Lebenszyklus des Laufs zu verlängern.
- Versuchen Sie, eine hohe Konzentration von Kupfer in der Seele zu vermeiden. Dies reduziert die Präzision erheblich.
- Zur Reinigung des Schaftes wird die Verwendung einer qualitativ hochwertigen Bürste empfohlen. Verwenden Sie keine Bürsten aus Edelstahl.
- Es wird dringend empfohlen, auch das Patronenlager zu reinigen. Verwenden Sie eine angemessene Bürste.
- Wischen Sie den Schaft nach dessen Reinigung mit einem in Waffenöl getränkten Patch (ein Stück Stoff) zur Vermeidung von Rostbildung ab. Verwenden Sie vor dem Schießen ein trockenes Patch, um das Öl zu entfernen und den Schaft nicht zu beschädigen.

Wichtig: Die Ölrreste im Innern des Laufs zum Zeitpunkt des Schusses können Überdruck verursachen.

- Überprüfen Sie regelmäßig, ob die Spitze des Laufs (Crowning) nicht beschädigt ist, da dies die Präzision spürbar beeinträchtigt.

Gehäuse (System) und Verschluss

- Reinigen Sie den kompletten Verschluss und das Innere des Gehäuses mit einem Lappen, der in zur Entfernung von Rückständen geeigneten Produkt getränkt wurde.
- Reinigen Sie die Oberfläche des Verschlusses und den Auszieher mit einer Bürste. Reinigen Sie außerdem den exponierten Bereich des Schussmechanismus und die Zapfen des Verschlusskopfes.
- Der Körper des Verschlusses, die Zapfen, der Schlagbolzenkanal und der Sicherheitsverschluss sollten geschmiert oder gefettet werden. Der Auswerfer und der Auszieher sollten regelmäßig mit einem angemessenen Tropfen Öl geschmiert werden (**Abb. 17.1 und 17.2**) bis ein sehr dünner Ölfilm entsteht.



Kolben

- Zur Entfernung des äußeren Staubs kann ein feiner Pinsel verwendet werden.
- Der synthetische Kolben kann leicht mit einem feuchten Mikrofaser Tuch gereinigt werden.
- Der Kolben aus Holz wurde im Werk mit Öl behandelt. Üblicherweise ist das Trocknen nur nach dem Gebrauch notwendig, obwohl es angebracht ist, den Kolben gelegentlich mit einem guten Kolbenöl zu behandeln, um diesen in einem guten Zustand zu erhalten.
- Schmieren Sie nach der Reinigung alle freigelegten metallischen Teile der Büchse.

18. LAGERUNG

- Bewahren Sie die Waffe in einem Safe einschließlich einer Methode zur Reduktion der relativen Luftfeuchtigkeit innerhalb desselben auf.
- Entnehmen Sie die Waffe gelegentlich ihrem Lagerort und reinigen Sie diese.
- Befolgen Sie die rechtlichen Vorschriften bezüglich der Waffenlagerung.
- Sollten Sie die Waffe für längere Zeit im Waffenschrank haben, lagern Sie diese entriegelt, mit der entspannten Feder des Schlagbolzens in Ruhestellung.

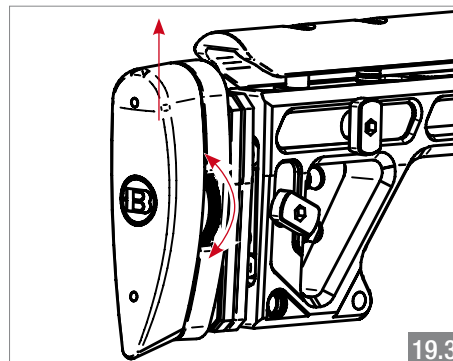
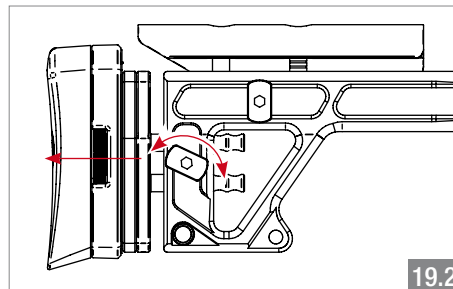
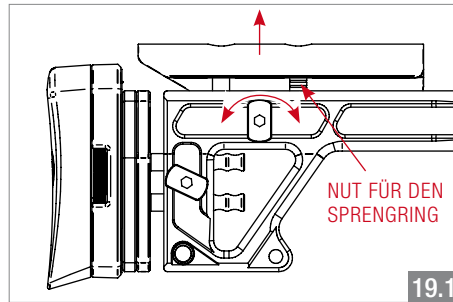
19. B14 MODELL BMP

Der Kolben BMP (Bergara Match Precision) ist aus luftfahrttauglichem Aluminium vom Typ 7075 gefertigt, um während der Benutzung einen fehlerfreien Betrieb zu gewährleisten. In diesem Abschnitt finden Sie die Einzelheiten, die Sie über die Funktionsweise dieses Kolbens wissen müssen.

Einstellung des Kolbens

Der Kolben BMP ist mit 3 Einstellungssystemen ausgestattet, die es dem Bediener ermöglichen, diesen nach seinem Geschmack je nach dem Körperbau und der Anschlagposition eines jeden Schützen anzupassen

- Der Backen kann in der Höhe verstellt werden. Drehen Sie die Einstellschraube nach links, um den Backen zu entsperren, bewegen Sie diesen auf die gewünschte Höhe und drehen Sie schließlich die Einstellschraube nach rechts, um den Schafrücken auf dessen Platz zu befestigen. Die vordere Führung besteht aus Nuten, um die Sprengringe einzusetzen und so sicherzustellen, dass die Position des Backens bei der Montage nach der vollständigen Demontage stets dieselbe sei (Abb. 19.1).
- Diese Büchse kann auf 5 unterschiedliche Längen eingestellt werden. Drehen Sie die Einstellschraube nach links, um das System zu entsperren, bewegen Sie die Schaftkappe bis auf eine dieser Positionen und drehen Sie die Schraube nach rechts, um diese erneut zu befestigen. (Abb. 19.2)
- Die Schaftkappe kann je nach Bedarf des Bedieners gedreht und in der Höhe verstellt werden. Drehen Sie den Regler nach links, um diesen zu entsperren, positionieren Sie diesen nach Bedarf und drehen Sie den Regler nach rechts, um die Schaftkappe erneut zu blockieren. (Abb. 19.3)



Der Kolben BMP bietet die Möglichkeit, AR-15 Elemente zu integrieren:

- Griff.
- Hinterer Teil (mittels eines Adapters).
- Diverses Zubehör (Picatinny-Schienen, Bipode...)

19. B14 MODELL BMP

Laden der Büchse

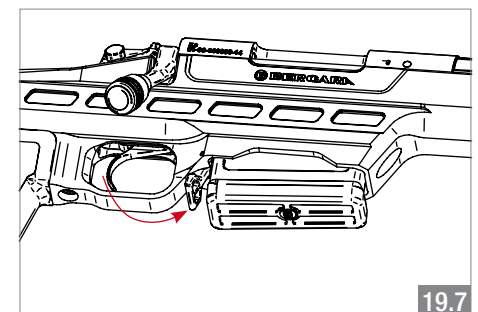
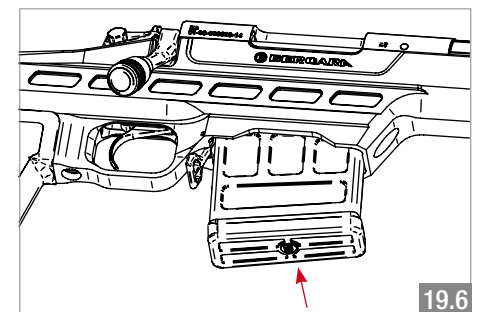
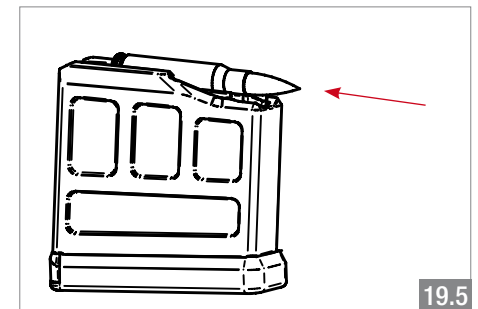
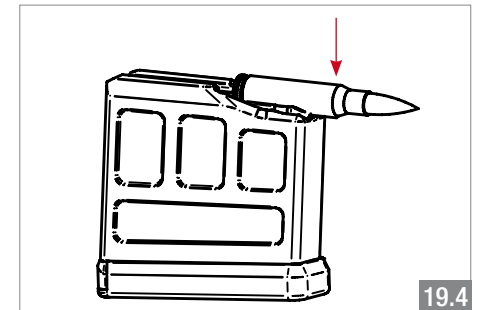
Das Magazin des Kolbens BMP wird wie folgt geladen:

- Versorgen Sie das Magazin über die obere Öffnung mit der entsprechenden Munition. Drücken Sie dazu die Patrone nach unten (Abb. 19.4). Sobald die Patrone den Boden berührt, schieben Sie diese nach hinten (Abb. 19.5). Die Kapazität des Magazins beträgt 5 Patronen + 1 in dem Patronenlager. Werden diese Handlungen nicht ordnungsgemäß ausgeführt, können Probleme im Betrieb der Waffe auftreten.

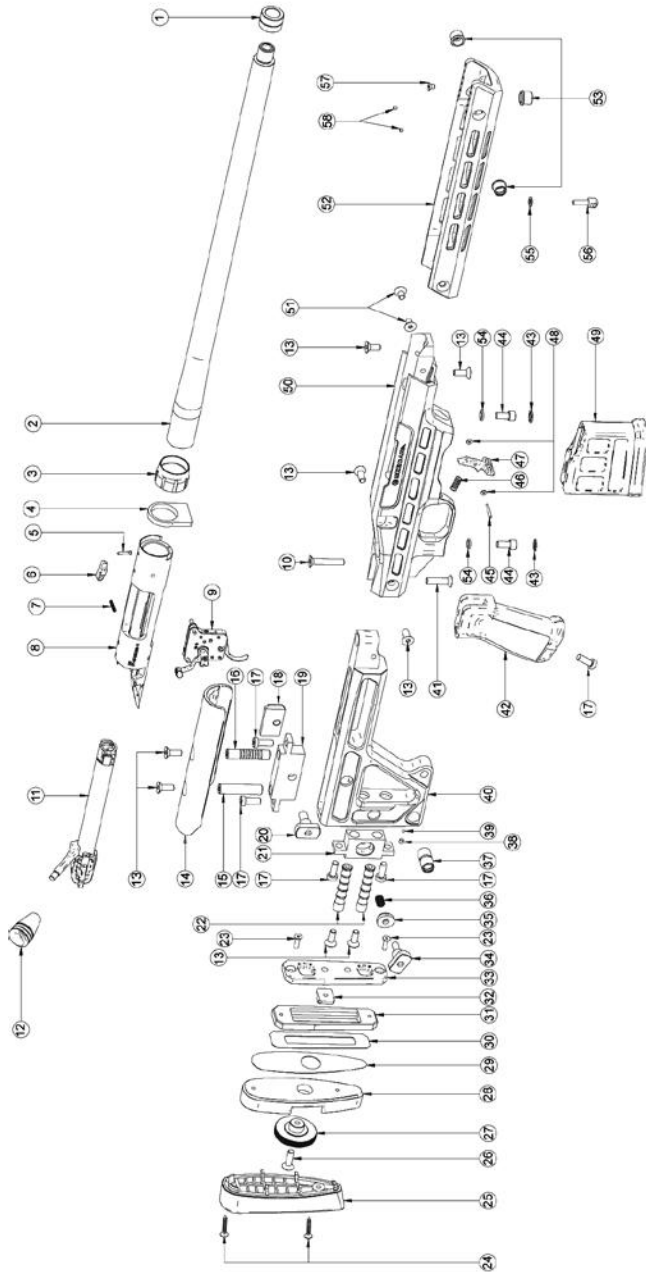
Sicherheitshinweis:

Überprüfen Sie zweimal, dass die Munition, die Sie laden, die richtige ist. Der Lauf der Büchse hat das an der Seite gekennzeichnete Kaliber. Das Verschießen von Munition eines Kalibers, das von dem auf dem Lauf gekennzeichneten Kaliber abweicht, ist extrem gefährlich und kann zu schweren Unfällen führen.

- Um das Magazin in dessen Position zu bringen, schieben Sie dieses innerhalb des Abzugsbügels bis zum Anschlag, mit dem Munitionsauslass nach oben (Abb. 19.6). Ein leichtes Neigen des Magazins nach vorne macht die Platzierung einfacher.
- Den Hebel im hinteren Teil des Abzugsbügels betätigen, um das Magazin zu entsperren. (Abb. 19.7)



20. BESCHREIBUNG B14 MODELL BMP

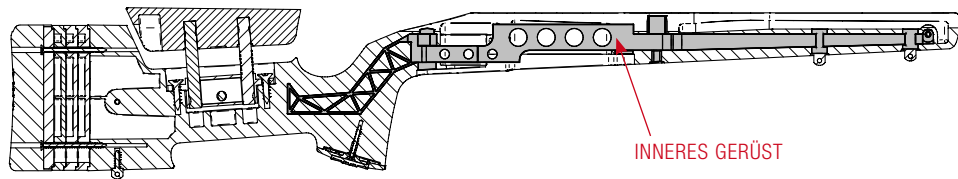


20. BESCHREIBUNG B14 MODELL BMP

| ART.-NR. | BESCHREIBUNG | ART.-NR. | BESCHREIBUNG |
|----------|---------------------------------------|----------|--------------------------------------|
| 1 | Gewindeabdeckung | 30 | Aufkleber der Führung |
| 2 | Lauf | 31 | Führung der Verstellmutter |
| 3 | Schraubenmutter Lauf | 32 | Verstellmutter Rückstoßkappe |
| 4 | Rückstoßlager | 33 | Halterung der Führungen |
| 5 | Verschlussfangschraube | 34 | Einstellschraube der Rückstoßkappe |
| 6 | Verschlussfanghebel | 35 | Befestigungsmutter der Rückstoßkappe |
| 7 | Verschlussfangfeder | 36 | Klemmfeder der Rückstoßkappe |
| 8 | Verschlusshülse | 37 | Halterung hinterer Tragriemen |
| 9 | Abzugmechanismus | 38 | Gewindestift |
| 10 | Verbindungsschraube Kolben | 39 | Haltekugel der Halterung |
| 11 | Verschlusskörperkomplex | 40 | Hinterer Teil |
| 12 | Kammerstängelkugel | 41 | Verbindungsschraube des Kolbens |
| 13 | Verbindungsschraube des Schafrückens | 42 | Pistolengriff |
| 14 | Schafrücken | 43 | Anschlagschraube |
| 15 | Hintere Führung Schafrücken | 44 | Gehäuseschraube |
| 16 | Vordere Führung Schafrücken | 45 | Hebelstift |
| 17 | Befestigungsschrauben der Basen | 46 | Hebelfeder |
| 18 | Befestigungsmutter des Schafrückens | 47 | Hebel |
| 19 | Basis der Führungen des Schafrückens | 48 | Unterlegscheibe Hebel |
| 20 | Einstellschraube Schafrücken | 49 | Magazin |
| 21 | Basis der Führungen der Rückstoßkappe | 50 | Mittlerer Teil |
| 22 | Führung der Rückstoßkappe | 51 | Verbindungsschraube Kolben |
| 23 | Befestigungsschraube von Teilen | 52 | Handschutz |
| 24 | Schloßschraube der Rückstoßkappe | 53 | Halterung vorderer Tragriemen |
| 25 | Rückstoßkappe | 54 | Unterlegscheibe des Gehäuses |
| 26 | Einstellschraube Rückstoßkappe | 55 | Kunststoffscheibe |
| 27 | Einstellrad Rückstoßkappe | 56 | Vorderer Tragriemen |
| 28 | Halterung Rückstoßkappe | 57 | Befestigungsschraube Halterung |
| 29 | Gummiaufkleber der Halterung | 58 | Gewindestift |

21. B14 MODELL HMR

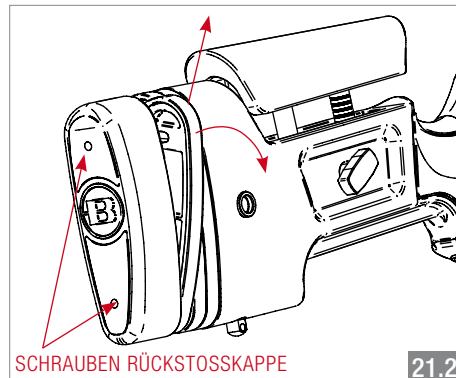
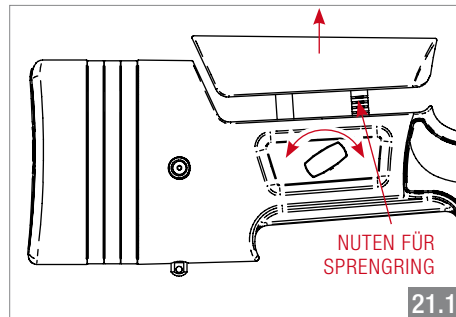
Der Kolben HMR (Hunting Match Rifle) ist mit einem inneren Gerüst aus Aluminium ausgestattet, welches ihn perfekt für die Jagd auf hohe Distanzen (long range) macht. In diesem Abschnitt finden Sie die Einzelheiten, die Sie über die Funktionsweise dieses Kolbens wissen sollten.



Einstellung des Kolbens

Der Kolben HMR ist mit Längeneinstellung und Regulierung des Backens ausgestattet, die es dem Bediener ermöglicht, diesen nach seinem Geschmack je nach Körperbau und Anschlagposition anzupassen.

- Der Backen kann sehr einfach in der Höhe verstellt werden. Drehen Sie die Regulierungsschraube nach links, um den Backen zu entsperren, bringen Sie diesen auf die gewünschte Höhe und drehen Sie die Regulierungsschraube schließlich nach rechts, um den Backen auf dessen Platz zu befestigen. Die vordere Führung besteht aus Nuten, um Sprengringe einlegen zu können und so sicherzustellen, dass die Position des Backens bei der Montage nach vollständiger Demontage stets dieselbe ist. (Abb. 21.1)
- Diese Büchse ist verstellbar auf 4 verschiedene Längen. Der Kolben kann durch Hinzufügen von Abstandhaltern verlängert oder durch Entfernen dieser verkürzt werden. Lö-



sen Sie die Schrauben der Rückstoßkappe, drehen Sie die Abstandhalter am oberen Teil, um diese zu entfernen, und ziehen Sie die Schraube erneut fest. (Abb. 21.2)

21. B14 MODELL HMR

Laden der Büchse

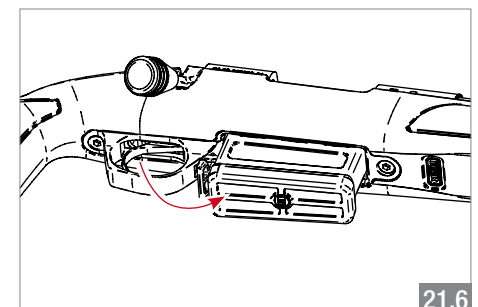
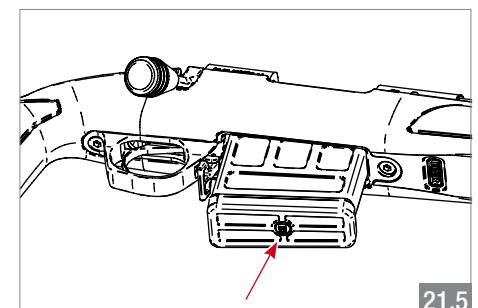
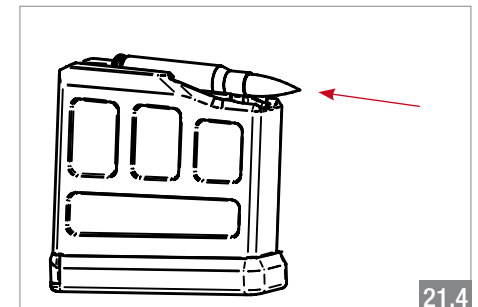
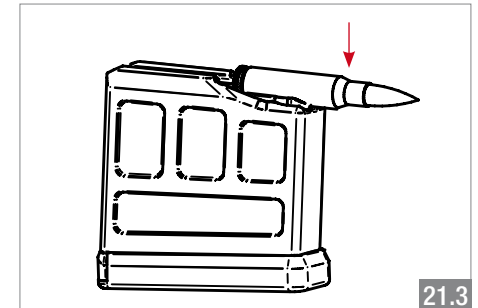
Das Magazin des Kolbens HMR wird wie folgt geladen:

- Versorgen Sie das Magazin über die obere Öffnung mit der passenden Munition. Drücken Sie dazu die Patrone nach unten (Abb. 21.3) Sobald die Patrone den Boden berührt, schieben Sie diese nach hinten (Abb. 21.4). Die Kapazität des Magazins beträgt 5 Patronen + 1 in dem Patronenlager. Werden diese Handlungen nicht ordnungsgemäß ausgeführt, können Probleme bei der Nutzung der Waffe auftreten.

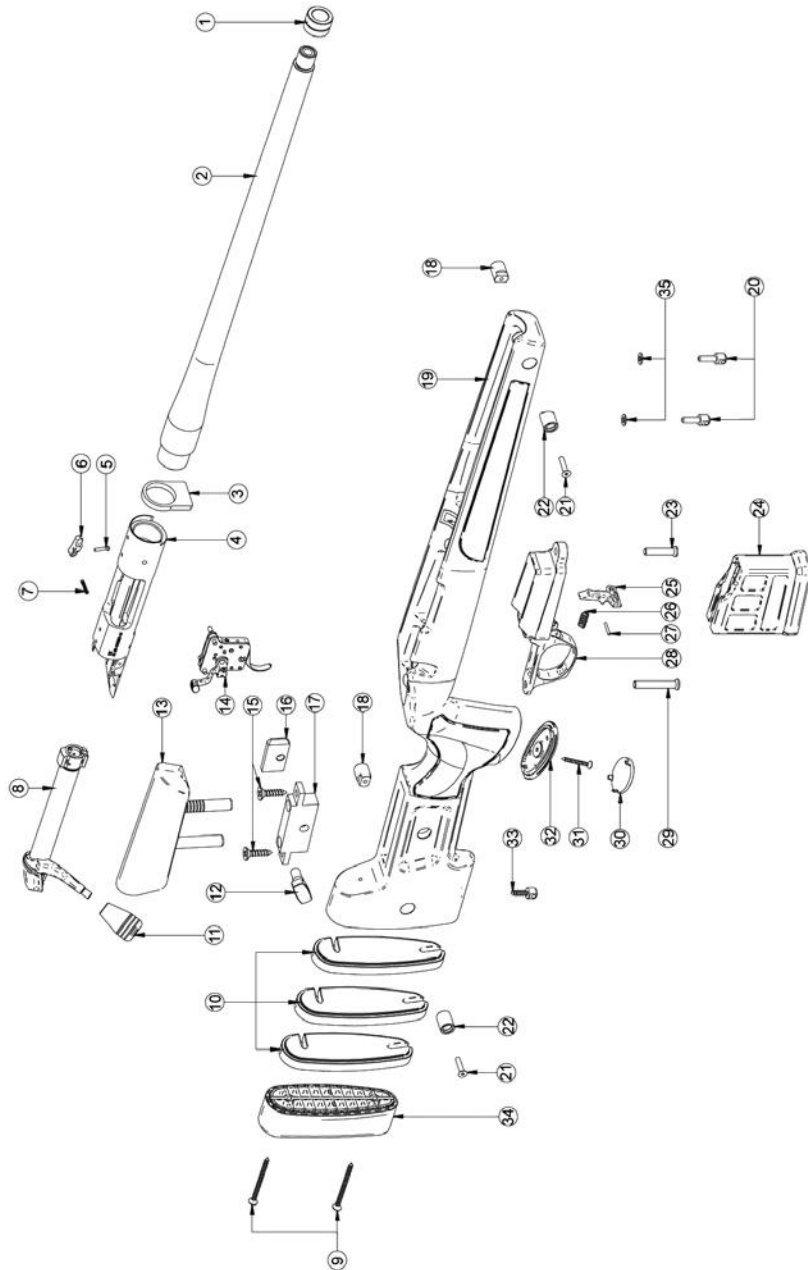
Sicherheitshinweis:

Überprüfen Sie zweimal, ob die geladene Munition korrekt ist. Der Lauf der Büchse hat das an der Seite gekennzeichnete Kaliber. Das Verschießen von Munition eines Kalibers, das von dem auf dem Lauf gekennzeichneten Kaliber abweicht, ist extrem gefährlich und kann zu schweren Unfällen führen.

- Um das Magazin in dessen Position zu bringen, schieben Sie dieses innerhalb des Abzugsbügels bis zum Boden, mit dem Munitionsauslass nach oben (Abb. 21.5). Ein leichtes Neigen des Magazins nach vorne gestaltet die Platzierung einfacher.
- Ein leichtes Neigen des Magazins nach vorne gestaltet die Platzierung einfacher. (Abb. 21.6)



22. BESCHREIBUNG B14 MODELL HMR



22. BESCHREIBUNG B14 MODELL HMR

| ART.-NR. | BESCHREIBUNG | ART.-NR. | BESCHREIBUNG |
|----------|---|----------|--------------------------------------|
| 1 | Gewindeabdeckung | 19 | Kolben |
| 2 | Lauf | 20 | Regler des vorderen Tragriemens |
| 3 | Rückstoßlager | 21 | Befestigungsschraube der Halterungen |
| 4 | Gehäuse | 22 | Halterung Tragriemen rechts |
| 5 | Verschlussfangschraube | 23 | Vordere Schraube des Kolbens |
| 6 | Verschlussfanghebel | 24 | Magazin |
| 7 | Verschlussfangfeder | 25 | Magazinhebel |
| 8 | Verschlusskörpergruppe | 26 | Feder des Magazinhebels |
| 9 | Schlossschraube Schaftkappe | 27 | Stift des Magazinhebels |
| 10 | Abstandhalter Schaftkappe | 28 | Abzugsschloss |
| 11 | Riegelgriff | 29 | Hintere Schraube des Kolbens |
| 12 | Einstellschraube Backe | 30 | Schutzdeckel |
| 13 | Backe | 31 | Befestigungsschraube des Schutzes |
| 14 | Abzugmechanismus | 32 | Schutz |
| 15 | Schlossschraube zur Befestigung der Basis | 33 | Regler des hinteren Riemenhalterung |
| 16 | Befestigungsmutter des Schaftrückens | 34 | Rückstoßkappe |
| 17 | Basis Führung der Backe | 35 | Kunststoffscheibe |
| 18 | Halterung Tragriemen links | | |

23. HÄUFIG GESTELLTE FRAGEN, URSACHEN UND LÖSUNGEN

| PROBLEM | URSACHE | LÖSUNG |
|--|--|---|
| Die Waffe ist geladen, ich drücke den Abzug, aber es löst sich kein Schuss | Fehlerhafte Munition | Versuchen Sie es mit anderer Munition |
| | Der Schlagbolzen tritt nicht weit genug hervor oder tut dies mit wenig Kraft | Kontaktieren Sie den technischen Kundendienst (SAT) von Bergara |
| | Beschädigter Schlagbolzen | |
| Die Patrone passt nicht in das Patronenlager | Falsches Munitionskaliber | Versichern Sie sich, dass die Munition das korrekte Kaliber hat |
| | Die Büchse ist bereits geladen | Entnehmen Sie die eingegebene Hülse sehr vorsichtig |
| | Etwas blockiert das Patronenlager oder das Patronenlager ist sehr schmutzig | Reinigen Sie das Patronenlager sorgfältig |
| | Beschädigtes Patronenlager | Kontaktieren Sie den SAT von Bergara |
| Ich kann den Kammergriff nicht umlegen | Schmutziges Patronenlager (Hülsenreste...) | Reinigen Sie das Patronenlager, ansonsten kontaktieren Sie den SAT von Bergara |
| | Sie haben Munition eines anderen Kalibers verwendet | Verwenden Sie die richtige Munition |
| | Auswerfer blockiert, steif | Tragen Sie Öl auf, bewegen Sie den Auswerfer von Hand und bessert es sich nicht, kontaktieren Sie den SAT von Bergara |
| Die Waffe gibt beim Schließen des Verschlusses einen Schuss ab | Auslöser beschädigt oder verstellt | Stoppen Sie unverzüglich, sehr gefährlich. Kontaktieren Sie den SAT von Bergara |
| Die Waffe feuert ab, obwohl die Sicherung aktiviert ist | Achtung! Sehr gefährlich. Defekter Abzug | Kontaktieren Sie den SAT von Bergara |
| Die Büchse hat abgefeuert, wirf aber die Hülse nicht aus | Der Auszieher funktioniert nicht richtig | Kontaktieren Sie den SAT von Bergara |
| | | Überprüfen Sie, dass der Auswerfer ordnungsgemäß "federt" |
| | | Überprüfen Sie, ob der Auswerfer nicht beschädigt ist |
| | | Trifft eine der beiden Umstände zu, kontaktieren Sie den SAT von Bergara |
| | Defekte Hülse | Versuchen Sie es mit anderer Munition |
| Beschädigtes Patronenlager | Kontaktieren Sie den SAT von Bergara | |

23. HÄUFIG GESTELLTE FRAGEN, URSACHEN UND LÖSUNGEN

| PROBLEM | URSACHE | LÖSUNG |
|--|--|---|
| Ich kann die Patronen nicht in das Magazin eingeben | Zubringer fehlerhaft positioniert | Positionieren Sie den Zubringer ordnungsgemäß |
| | Patronen falsch eingegeben | Bei Eingabe der Patrone muss sichergestellt werden, dass der Geschossboden den hinteren Teil des Magazins berührt. Das heißt, die Kugel muss nach unten und nach hinten geschoben werden, wie auf der Seite 72 dieses Handbuchs beschrieben |
| | Falsches Munitionskaliber | Versichern Sie sich, dass das Kaliber mit dem des Laufs übereinstimmt |
| Die Büchse feuert ab, stößt die Hülse aus, wirft diese aber nicht ab | Schmutz oder Rost im Auswerfer | Reinigen Sie ordnungsgemäß und schmieren Sie den Bereich |
| | Der Auswerfer funktioniert nicht ordnungsgemäß | Überprüfen Sie, dass der Auszieher ordnungsgemäß "federt" Überprüfen Sie, dass der Auszieher nicht beschädigt ist Trifft eine der beiden Umstände zu, kontaktieren Sie den technischen Kundendienst von Bergara |
| Ich kann die untere Klappe des Magazins nicht öffnen | Schmutz oder mangelhafte Wartung | Reinigen Sie den Bereich und fetten Sie diesen danach mit Ölspray ein |
| Ich kann die Klappe des Magazins nicht schließen | Defekt im Zubringer oder in der Feder | Kontaktieren Sie den SAT von Bergara |
| Die Büchse nimmt die Patronen des Magazins nicht an | Schmutz oder mangelhafte Wartung | Reinigen Sie den Bereich und fetten Sie diesen danach mit Ölspray ein |
| | Defekt im Zubringer oder in der Feder | Kontaktieren Sie den SAT von Bergara |
| | Patronen falsch in das Magazin eingegeben | Entnehmen Sie die Kugeln und versorgen Sie das Magazin erneut. Stellen Sie sicher, dass die Kugeln korrekt eingesetzt werden, wie auf der Seite 72 dieses Handbuchs beschrieben |
| | Defekt im Zubringer oder in der Feder | Kontaktieren Sie den SAT von Bergara |

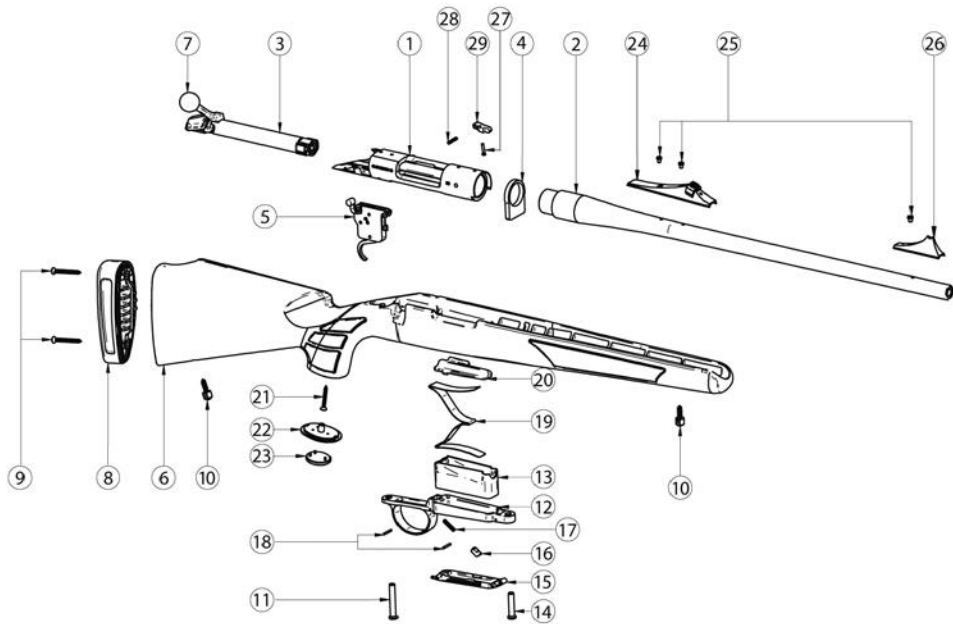
23. HÄUFIG GESTELLTE FRAGEN, URSACHEN UND LÖSUNGEN

| PROBLEM | URSACHE | LÖSUNG |
|---|---|---|
| Der Verschluss tritt ohne Betätigung des Seitenhebels (Anschlagbolzen) heraus | Der Anschlagbolzen ist beschädigt | Kontaktieren Sie den SAT von Bergara |
| Hintere Kappe verdreht | Unbeabsichtigte Drehung, als sich der Riegel außerhalb befand | Drehen Sie die Kappe per Hand auf ihre Position |
| Der Auslöser geht sehr schwer | Auslöser ist falsch eingestellt, Schmutz oder Auslöser defekt | Regulierung des Auslösers durch einen qualifizierten Büchsenmacher oder kontaktieren Sie den Technischen Kundendienst von Bergara |
| Der Verschluss lässt sich nur sehr schwer bewegen | Schmutz, fehlerhafte Schmierung | Entnehmen Sie den Verschluss heraus und reinigen Sie ihn und die Kammer sorgfältig |
| | Verschluss beschädigt | Kontaktieren Sie den SAT von Bergara |
| Die Waffe verrostet | Unsachgemäße Wartung der Büchse | Entfernen Sie den Rost und das Öl von der Waffe Oder kontaktieren Sie den technischen Kundendienst von Bergara |
| Es fällt schwer, den Hebel anzuheben | Schmutz oder unsachgemäße Wartung | Reinigen und schmieren Sie ordnungsgemäß |
| | Umpassende Munition, die Überdruck verursacht | Verwenden Sie kommerzielle Munition |
| | Problem im Mechanismus der Büchse | Kontaktieren Sie den SAT von Bergara |
| Die Kammergriffkugel ist lose | Gewindebruch | Kontaktieren Sie den SAT von Bergara |
| | Von dessen Gehäuse gelöst | Verwenden Sie ein Gewindefesthaltungsprodukt, um die Kugel erneut einzustellen |

23. HÄUFIG GESTELLTE FRAGEN, URSACHEN UND LÖSUNGEN

| PROBLEM | URSACHE | LÖSUNG | |
|--------------------------------|---|--|--|
| Schüsse werden nicht gruppiert | Falsche Munition | Versuchen Sie es mit anderer Munition | |
| | Wiedergeladene Munition | | |
| | Ist Ihnen die Waffe heruntergefallen? | Überprüfen Sie den ordnungsgemäßen Zustand der Waffe und des Zielfernrohrs. Ist alles OK und die Büchse gruppiert nicht, kontaktieren Sie den SAT von Bergara zur Schadensbeurteilung und für die Garantie | |
| | Schmutz oder Rost im (insbesondere nahe der Mündung des Laufs) | Schmutz im Patronenlager | Reinigen Sie den Lauf ordnungsgemäß nach dieser Betriebsanleitung |
| | | Zielfernrohr schlecht befestigt (Basis, Ringe, Visier) | Stellen Sie sicher, dass die Zielvorrichtung gut mit einem Drehmoment von 7 Nm befestigt ist |
| | Stoß an der Mündung des Laufs (Crowning) | Kontaktieren Sie den SAT von Bergara | |
| | An den Lauf montiertes Zubehör (außer offene Zielfernrohre oder Visier) | Das an den Lauf montierte Zubehör demontieren | |
| | Der Lauf berührt den Kolben. Ohne Auftrieb | Kontaktieren Sie den SAT von Bergara | |
| | Der Kolben ist nicht gut befestigt | Stellen Sie sicher, dass die Schrauben richtig festgezogen sind | |
| | Auslöser sehr schwergängig | Kontaktieren Sie den SAT von Bergara | |
| | Beschädigtes Patronenlager | | |
| | Defekte Schließung Verschluss-Kammer-Lauf | | |

24. ALLGEMEINE BESCHREIBUNG

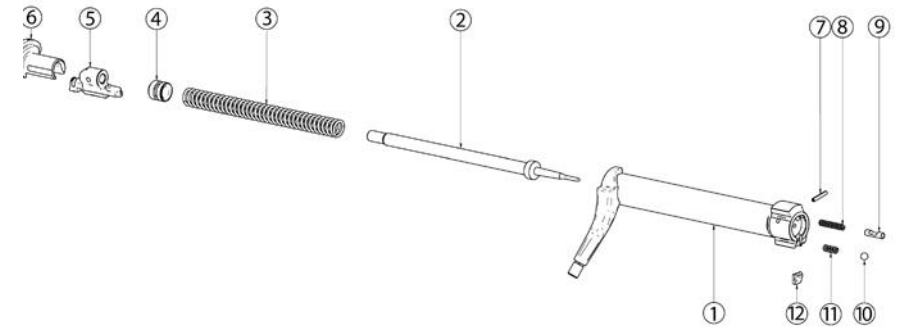


| ART.-NR. | BESCHREIBUNG | ART.-NR. | BESCHREIBUNG |
|----------|--------------|----------|--------------|
|----------|--------------|----------|--------------|

- | | | | |
|----|---------------------------------|-----|------------------------------------|
| 1 | Gehäuse | 16 | Entriegelungstaste Magazin |
| 2 | Lauf | 17 | Feder der Entriegelungstaste |
| 3 | Verschlußkörpergruppe | 18 | Stifte Abzugsschloss |
| 4 | Rückstoßlager | 19 | Magazinfeder |
| 5 | Abzugmechanismus | 20 | Zubringer |
| 6 | Kolben | 21 | Befestigungsschraube des Schutzes |
| 7 | Riegelgriff | 22 | Schutz |
| 8 | Rückstoßkappe | 23 | Schutzdeckel |
| 9 | Schlossschraube der Schaftkappe | 24* | Visiergruppe |
| 10 | Regler des Tragriemens | 25* | Schraube Visier-Zielfernrohr |
| 11 | Hintere Schraube des Kolbens | 26* | Visiergruppe |
| 12 | Abzugsschloss | 27 | Verschlußfangschraube |
| 13 | Magazin | 28 | Verschlußfangfeder des Verschusses |
| 14 | Vordere Schraube des Kolbens | 29 | Verschlußfanghebel |
| 15 | Magazinfach | | |

* Visiere und Zielfernrohre sind nur in einigen Einstellungen verfügbar

24. ALLGEMEINE BESCHREIBUNG

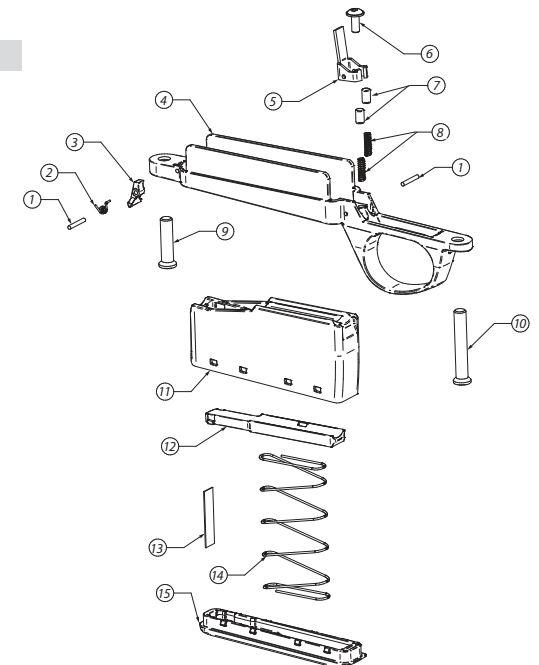


| ART.-NR. | BESCHREIBUNG | ART.-NR. | BESCHREIBUNG |
|----------|--------------|----------|--------------|
|----------|--------------|----------|--------------|

- | | | | |
|---|-----------------------------|----|----------------|
| 1 | Verschlußkörper | 7 | Auswerferstift |
| 2 | Schlagbolzen | 8 | Auswerferfeder |
| 3 | Schlagbolzenfeder | 9 | Auswerfer |
| 4 | Schlagbolzenbuchse | 10 | Auszieherkugel |
| 5 | Schlagbolzenhaken | 11 | Auszieherfeder |
| 6 | Abdeckung des Schlagbolzens | 12 | Auszieher |

| ART.-NR. | BESCHREIBUNG |
|----------|--------------|
|----------|--------------|

- | | |
|----|--------------------------------|
| 1 | Stift Abzugsschloss |
| 2 | Feder Hebel |
| 3 | Spannhebel Magazin |
| 4 | Abzugsbügel Magazin |
| 5 | Magazin Druckplatte |
| 6 | Einstellschraube |
| 7 | Druckstift |
| 8 | Schubfeder |
| 9 | Vordere Schraube des Kolbens 1 |
| 10 | Hintere Schraube des Kolbens |
| 11 | Magazinkörper |
| 12 | Zubringer |
| 13 | Magazinblech |
| 14 | Magazinfeder |
| 15 | Magazindeckel |



25. GARANTIE

Bitte richten Sie Ihre Fragen bezüglich der Garantie an:
Für die USA / Kanada:

Info@bergararifles.com
contact@bergarausa.com

Oder per Post an: **DIKAR S. Coop**
Ugarte, 26
20570 Bergara - Gipuzkoa (Spain)

Bergara North America
BPI Outdoors
1270 Progress Center Ave. Suite 100
Lawrenceville, GA 30043

Die Büchse B14 ist auf Lebenszeit gegen alle Herstellungsfehler versichert. Diese Garantie gilt ausschließlich für den Erstkäufer und ist nicht übertragbar. Diese Garantie deckt keine Abnutzung und üblichen Verschleiß, die Verarbeitung des Metalls oder des Holzes, den unsachgemäßen oder zweckentfremdeten Gebrauch, Sachschäden, die Kosten für entstandene Benachteiligungen oder die Nichtbenutzung ab.

Diese Garantie verleiht Ihnen bestimmte gesetzliche Rechte, und Sie können möglicherweise auch andere Rechte haben, die von Staat zu Staat oder von Land zu Land variieren. Neben den in den verschiedenen Abschnitten dieses Handbuchs genannten Fällen der Garantierücknahme entfällt der Anspruch auf Garantie auch, wenn:

- Dritte Personen Reparaturen vorgenommen haben, die in diesem Handbuch nicht autorisiert werden.
- Die Waffe in ungepflegtem Zustand zurückgegeben wird (schmutzig, mit Korrosion...).
- Militärmunition, wiedergeladene Muniton oder durch CIP oder SAAMI nicht autorisierte Muniton verwendet wurde.
- Schäden als Folge der Nichtbeachtung der in diesem Handbuch gegebenen Anweisungen auftreten.

Die Waffe wird mit Identifikation durch deren Seriennummer an der Seite des Gehäuses oder Kammer geliefert.

WICHTIG: Achten Sie im Falle der Rückgabe darauf, dass die Waffe entladen ist!

B BERGARA

Technischer Kundendienst (SAT):

BERGARA

DIKAR S. Coop

Ugarte, 26
20570 Bergara - Gipuzkoa (Spain)
Tel.: +34 943 769 893
info@bergararifles.com
www.bergararifles.com
Facebook: Bergara Rifles Europe
Youtube: bergarainternational

Technischer Kundendienst USA:

Bergara North America

BPI Outdoors
1270 Progress Center Ave. Suite 100
Lawrenceville, GA 30043
800 320-8767
www.bergarausa.com
contact@bergarausa.com
Facebook: Bergara USA
Youtube: Bergara US



| | |
|---|---------|
| 1. Introduction | 100 |
| 2. Sécurité en général | 101-102 |
| 3. Avant de tirer avec la carabine | 103 |
| 4. Charger la carabine | 104 |
| 5. Chargement des munitions avec chargeur amovible | 104 |
| 6. Fonctionnement du chargeur amovible | 105 |
| 7. Montage du kit chargeur amovible | 105 |
| 8. Tirer avec la carabine | 106-107 |
| 9. Rodage du canon | 108 |
| 10. Extraction d'une balle bloquée dans le canon | 108 |
| 11. Usage de munitions militaires | 108 |
| 12. Ajustage du poids de départ de la détente | 109 |
| 13. Essais de sécurité du poids de départ de la détente | 110 |
| 14. Entretien du mécanisme de détente | 110 |
| 15. Montage de la lunette de tir | 110 |
| 16. Démontage de l'arme pour le nettoyage | 111 |
| 17. Nettoyage et entretien | 112-113 |
| • Canon | 112 |
| • Verrou et action | 113 |
| • Crosse et devant | 113 |
| 18. Stockage | 113 |
| 19. B14 modèle BMP | 114-115 |
| • Réglage de la crosse | 114 |
| • Approvisionnement de la carabine | 115 |
| 20. Description B14 modèle BMP | 116-117 |
| 21. B14 modèle HMR | 118-119 |
| • Réglage de la crosse | 118 |
| • Approvisionnement de la carabine | 119 |
| 22. Description B14 modèle HMR | 120-121 |
| 23. Questions les plus fréquentes, causes et solutions | 122-125 |
| 24. Descriptions générales | 126-127 |
| 25. Garanties | 128 |

1. INTRODUCTION ET SÉCURITÉ GÉNÉRALE

Merci d'avoir acheté une carabine a verrou Bergara B14.

Nous espérons que cette carabine comblera toutes vos attentes, et qu'elle vous serve durant plusieurs années toujours avec la même satisfaction.

Lisez ce manuel. Il y a beaucoup de caractéristiques auxquelles vous devez vous familiariser pour pouvoir utiliser l'arme de façon la plus sûre et sécuritaire.

L'avenir du tir sportif dépend de vous...

Les accidents, et le mauvais usage des armes à feu, son des raisons pour interdire le tir en général et les armes en particulier.

Vous serez responsable, recherchez la sécurité et prêtez attention aux conseils de sécurité des autres camarades de tir.

Si après avoir lu les instructions, avertissements et risques détaillés dans ce manuel et que vous n'êtes pas capable d'accepter les responsabilités de la manipulation et du tir avec une arme de façon sécuritaire, retournez l'arme dans le lieu où vous l'avez acheté.

Vous devez prendre en compte toutes les mesures de sécurité pour que l'utilisation de l'arme soit sécuritaire.

2. SÉCURITÉ EN GÉNÉRAL

10 Règles de sécurité pour le maniement de votre arme

- 1 Maintenez toujours la bouche de l'arme pointée vers une direction sûre, même si l'arme est déchargée.
- 2 Soyez sur de votre cible et de ce qu'il y a derrière, avant de viser à n'importe quel endroit.
- 3 Ne jamais se fier à la sécurité mécanique d'une arme.
- 4 L'arme doit être déchargée tant qu'elle n'est pas utilisée.
- 5 Utilisez toujours des protections auditives et oculaires.
- 6 Le canon ne doit pas être obstrué avant le chargement ou le tir.
- 7 Manier toutes armes comme si elle était chargée.
- 8 Stockez les armes et les munitions séparément et dans un endroit fermé à clé.
- 9 Evitez de consommer de l'alcool ou de la drogue avant et pendant l'usage d'une arme.
- 10 Ne modifiez pas votre arme, révisez votre arme régulièrement chez un armurier compétent. Assurez-vous que toutes les pièces fonctionnent avant tout usage.

2. ÉLÉMENTS DE SÉCURITÉ POUR TOUTES LES ARMES

- Ne jamais fumer durant le tir ou le maniement d'une arme ou matériel en relations avec les armes. Les étincelles ou les cendres pourraient faire enflammer la poudre ou les cartouches, provoquant des blessures graves ou la mort.
- Utilisez toujours des protections pour les yeux. Il est possible qu'il sorte des particules de la chambre ou de la bouche de l'arme quand on utilise n'importe quelle carabine.
- Toujours réviser son arme avant de l'utiliser pour s'assurer qu'elle est en bon état de fonctionnement, testez la détente et le système d'ouverture avec précaution avant de charger. Vérifiez que le canon n'est pas obstrué. Toute obstruction pourrait faire exploser le canon causant de graves blessures ou la mort.
- Ne jamais charger une arme avant d'être prêt à tirer. Vous devez retirer les munitions avant de marcher, monter dans un arbre, passer l'arme à une autre personne, sauter un fossé ...
- Ne jamais appuyer une arme contre un mur, un arbre, un véhicule ... une arme chargée qui tombe peut provoquer un tir accidentel de l'arme, pouvant causer de graves blessures ou la mort.
- Ne jamais transporter d'armes chargées dans n'importe quel type de véhicule. Une arme est considérée chargée si une munition est chargée.
- Ne jamais ranger ou stocker une arme chargée. Une arme doit être déchargée et nettoyée avant tout stockage.
- Ne jamais charger une arme sans être sûr que le canon est propre et sans obstructions. Si vous faites tomber votre arme par accident, assurez-vous que rien n'est venu obstruer votre canon.
- Soyez très prudent quand vous chassez depuis un arbre. La chute accidentelle d'une arme pourrait provoquer un tir qui pourrait causer de graves blessures ou la mort. Assurez-vous que l'arme est déchargée avant de descendre de l'arbre.
- Ne jamais se fier à la sécurité mécanique de l'arme ! Les éléments mécaniques pourraient ne pas fonctionner. Considérez toujours une arme comme si elle était chargée, manipulez-la comme si elle était prête à faire feu.
- Utilisez toujours des procédés de nettoyages de l'arme adaptée. Tirer avec un canon mal entretenu ou avec de la corrosion pourrait conduire à des conditions de pressions dangereuses et faire exploser le canon, causant de graves blessures ou la mort.
- Ne jamais diriger la bouche du canon en direction d'une personne. Lorsque vous portez la carabine en bandoulière dirigez toujours le canon vers le haut.
- N'essayez pas de modifier les parties internes de votre arme. Si vous le faites, vous pouvez causer une situation dangereuse causant un tir accidentel avec risque de graves blessures ou la mort. Ce genre de modifications entraîne en général l'annulation de la garantie.
- Ne laissez pas d'armes sans vigilance ou à la portée des enfants. Dans certains pays c'est puni par la loi.

3. AVANT DE TIRER AVEC LA CARABINE

Familiarisez-vous avec l'arme. Apprenez comment elle fonctionne, et comment elle s'utilise sans munition. Recommandations avant d'utiliser la carabine :

- La carabine est livrée emballée avec le verrou démonté de l'action. Avant de monter le verrou vérifiez que la carabine est déchargée et regarder s'il n'y a aucune douille dans la chambre ou obstruction dans le canon.
- Vérifiez qu'il n'y a aucune munition dans le chargeur.
- Nettoyez l'intérieur du canon en fonction des instructions énoncées au chapitre 17 nettoyages et entretien.
- Nettoyez l'huile sur le verrou et sur l'action.
- Introduisez le verrou dans l'action comme indiqué dans le point « démontage des composants de l'arme pour leurs nettoyages » de ce manuel.
- Essayez le bon fonctionnement de la détente en en l'actionnant à plusieurs reprises.
- Une fois que vous avez réalisé tous les points mentionnés ci-dessus, vous pouvez procéder au chargement de l'arme comme indiqué dans le suivant chapitre de ce manuel.
- Nous recommandons un rodage du canon pour la première fois que vous tirez avec la carabine. Le processus de rodage du canon est décrit dans le chapitre « rodage du canon ».

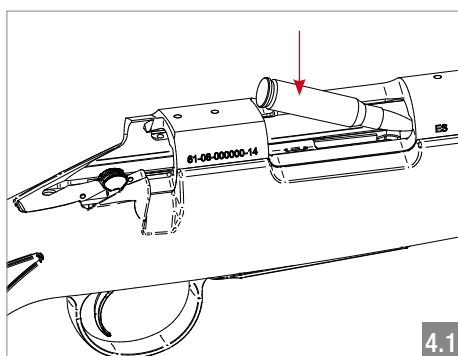
4. CHARGER LA CARABINE

La B14 s'utilise de la manière suivante :

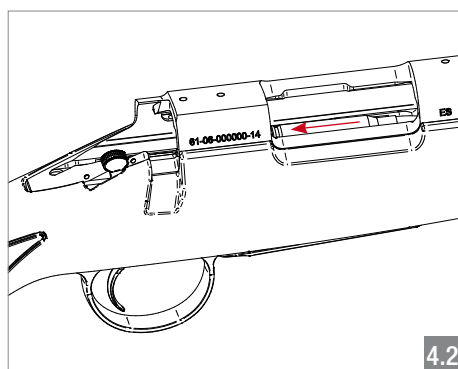
Approvisionnez le chargeur par l'ouverture supérieure de l'action avec la munition adéquate. Pour ça enfoncez la munition vers le bas du chargeur (fig. 4.1). Une fois dedans poussez la cartouche vers l'arrière (fig. 4.2). La capacité du chargeur en calibre standard est de 4 +1 cartouche dans la chambre et 3 + 1 en calibre magnums. Si ces actions ne sont pas effectuées correctement l'arme pourrait rencontrer des problèmes de fonctionnement.

Conseils de sécurité :

Vérifiez bien que la munition qui est chargée est la bonne. Le canon de la carabine dispose d'un marquage du calibre sur le côté. Tirer une munition d'un calibre différent au marquage du canon est très dangereux et peut causer des accidents très graves.



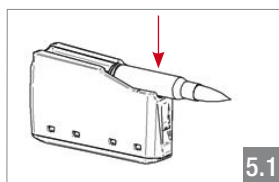
4.1



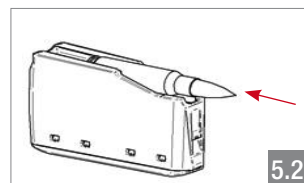
4.2

5. CHARGEMENT DES MUNITIONS AVEC CHARGEUR AMOVIBLE

Chargez le chargeur par l'ouverture supérieure avec les munitions correspondantes. Pour ça, enfoncez la munition vers le bas du chargeur (fig. 5.1). Une fois dans le chargeur, poussez la cartouche vers l'arrière jusqu'à ce qu'elle touche la partie arrière. La capacité du chargeur dans les calibres standards est de 3 cartouches et 2 cartouches pour les calibres magnums. Si ces actions ne sont pas effectuées correctement l'arme pourrait rencontrer des problèmes de fonctionnement.



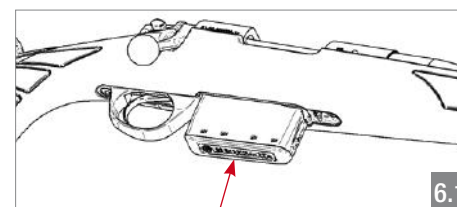
5.1



5.2

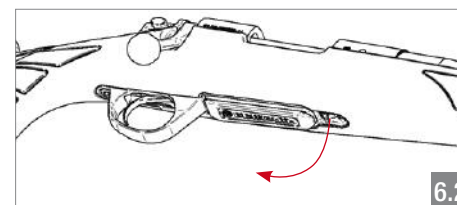
6. FONCTIONNEMENT DU CHARGEUR AMOVIBLE

Pour mettre le chargeur en place, enfoncez le dans le puis de chargeur jusqu'au fond avec la sortie des munitions vers le haut. (fig. 6.1)



6.1

Actionnez le bouton à l'avant du pontet pour libérer le chargeur. (fig. 6.2)

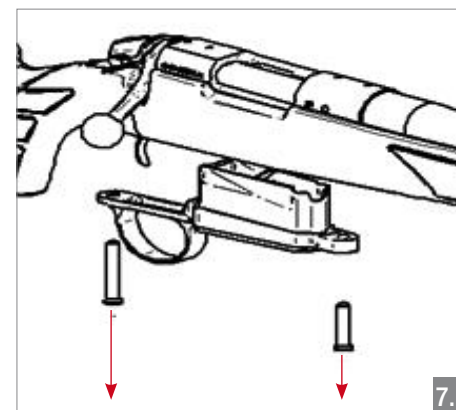


6.2

7. MONTAGE DU KIT CHARGEUR AMOVIBLE

La carabine est disponible avec un kit « chargeur amovible » pour les carabines avec chargeurs inamovibles. Pour une bonne installation de ce kit nous vous recommandons de suivre ces conseils :

• Dévissez les vis qui maintiennent le pontet et enlevez toutes les pièces. (fig. 7.1)

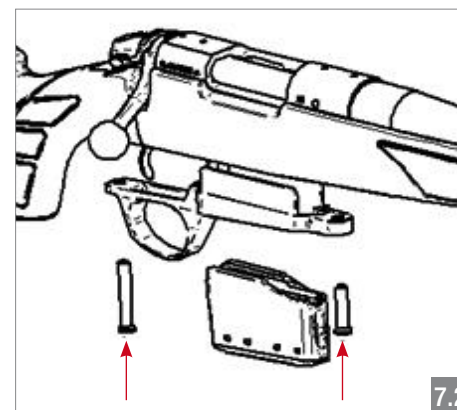


7.1

• Apposez le nouveau pontet dans la crosse et fixez le dans la carabine avec les vis adaptées, présents dans le kit. (fig. 7.2)

La force à appliquer pour le serrage des vis est de 6,2 Nm (55 lbs in).

• Insérez le chargeur dans le puis de chargeur.



7.2

8. TIRER AVEC LA CARABINE

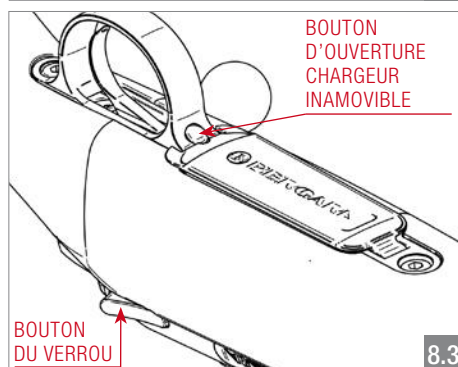
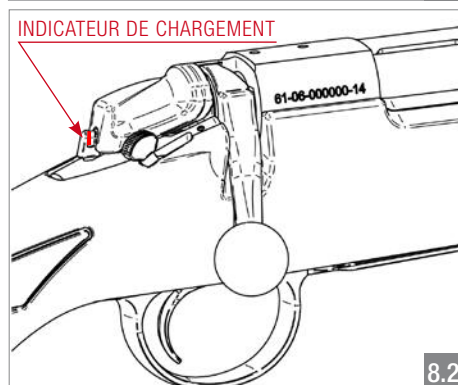
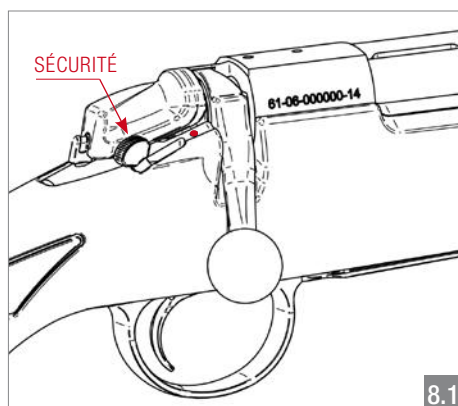
- Sortez le verrou et assurez-vous que l'arme est déchargée, vérifiez aussi que rien n'obstrue le canon, la chambre... et que le chargeur est bien enclenché ou que la bande du chargeur inamovible est bien fermée.
- La sécurité de l'arme ne peut pas être actionnée si le levier de verrou est fermé et que le percuteur n'est pas armé, la carabine n'est pas chargée. Une fois relevé le levier de verrou, vous pouvez mettre votre carabine en sécurité. Mettez votre carabine en sécurité avant d'introduire une cartouche dans la chambre et une fois que le verrou est ouvert. La carabine est en sécurité une fois le levier de sécurité tiré jusqu'au point blanc. (fig. 8.1)
- Fermez le verrou et vérifiez que l'indicateur de chargement rouge est apparent. (fig. 8.2)

Conseils sur la sécurité :

Au chargement de l'arme assurez-vous d'avoir fermé le verrou à fond.

Si la fermeture du verrou l'indicateur de chargement n'est pas apparent, n'utilisez pas la carabine. Emmenez la à un armurier qualifié pour la réviser ou contactez le SAV de Bergara.

- Quand vous êtes prêt au tir, retirez la sécurité en poussant le levier vers l'avant, tirez la détente doucement.



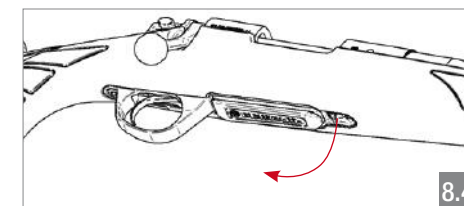
8. TIRER AVEC LA CARABINE

Conseils sur la sécurité :

Si après le tir sur la détente sur une arme chargée la balle de part pas, visez une direction sécuritaire et attendez 30 secondes avant d'ouvrir le verrou. Le verrou doit être ouvert avec de grandes précautions.

Si vous pensez avoir eu un tir défectueux et que la balle n'est pas sortie du canon, enlevez le verrou pour vérifier. Cette situation peut se produire si la poudre est détériorée, elle s'est consumée ou a brûlée partiellement. Dans ce cas emmenez l'arme à un armurier ou contactez le SAV Bergara.

- Une fois que vous avez tiré, ouvrez le verrou jusqu'en butée et assurez-vous d'avoir ex-



pulsée la douille. Il est important de tirer le verrou jusqu'au bout et pas un simple petit mouvement qui pourrait enrayer l'arme.

- Pour désapprovisionner l'arme, retirez le verrou et retirez les munitions en appuyant sur le bouton du chargeur inamovible (fig.8.3) ou retirez le chargeur amovible. (fig. 8.4)
- Vérifiez qu'il n'y a plus de cartouches dans la chambre.

9. RODAGE DU CANON

Durant la fabrication se créent de petites imperfections microscopiques dans le canon. Ces imperfections s'estompent après les séries de tir. Si ces imperfections s'éliminent correctement, le canon s'usera moins, se nettoiera plus facilement sera plus uniforme et surtout plus précis.

Le processus d'élimination de ces imperfections s'appelle « rodage du canon ». Le processus consiste à tirer un tir ou une série de tir et par la suite nettoyer le canon.

Vous devez laisser refroidir le canon avant de commencer à le nettoyer.

Processus de rodage recommandé :

- Sur les 5 premiers tirs nettoyer l'arme entre chaque tir.
- Sur les 50 tirs suivants nettoyer le canon tous les 10 tirs.
- Sur les prochains tirs vous devrez nettoyer votre arme assez souvent.

10. EXTRACTION D'UNE BALLE BLOQUÉE DANS LE CANON

Conseils de sécurité :

N'essayez pas de faire sortir du canon une balle bloquée avec un autre tir car la pression

*créée pourrait détruire l'arme et blesser le tireur. Emmenez l'arme à un armurier qualifié ou contactez le **SAV Bergara**.*

11. USAGE DE MUNITIONS MILITAIRES

La munition militaire comme le 5.56 NATO ou le 7.62 NATO sont généralement différentes des munitions civiles comme le 222 Remington ou le 308 Winchester. Il y a aussi des différences sur la prise de rayure de la chambre

et les pressions de chargement de ces munitions. Ainsi Bergara et l'institut de fabrications des munitions civiles et de munitions recommandent de ne pas utiliser de munitions militaires dans les armes civiles.

12. AJUSTAGE DU POIDS DE DÉPART DE LA DÉTENTE

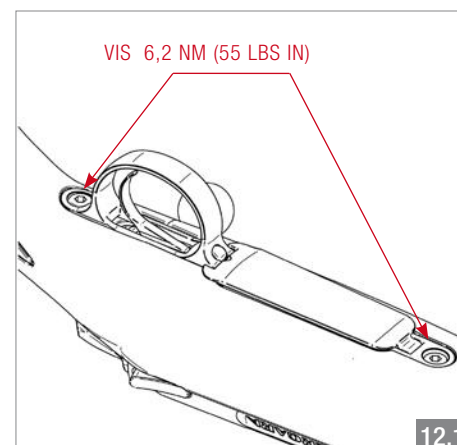
La B14 dispose d'un mécanisme de détente totalement ajustable. Le poids d'origine est de 1 kg (2.2 lbs) . Il peut être ajusté de 1 à 2 kg (2.2-4.4 lbs) dans tous les modèles.

Conseils sur la sécurité :

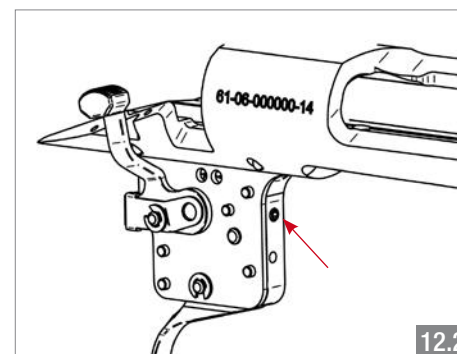
Ne changez pas le mécanisme de détente avec un autre fabriqué par une entreprise différente. Il pourrait correspondre à votre arme, mais il est possible qu'il ne fonctionne pas parfaitement, et que l'arme soit moins sécuritaire. Le changement du mécanisme de détente annule la garantie.

La détente doit être ajustée seulement par un armurier qualifié ou par la fabrique.

- Pour accéder aux vis d'ajustage il est nécessaire de démonter la crosse. Pour ça, sortez la bande du chargeur inamovible et dévissez les vis du garde main (fig. 12.1). En enlevant la crosse, elle pourrait être un peu bloquée et l'opération pourrait durer un peu plus de temps que prévu.
- La vis de régulation du poids de la détente (fig. 12.2) ajuste la force nécessaire pour tirer sur la détente.



12.1



12.2

Conseil sur la sécurité :

Un mécanisme de détente trop légère il peut tirer accidentellement.

13. ESSAIS DE SÉCURITÉ DU POIDS DE DÉPART DE LA DÉTENTE

Après avoir ajusté la détente vous devrez réaliser les essais suivants :

- Fermez le verrou le plus rapidement possible. L'indicateur de chargement devra rester visible. Si ça n'est pas le cas, contactez le SAV Bergara.
- Testez le poids de départ de la détente avec un instrument de mesure du poids des dé-

tentes. Si le poids de départ est inférieur à 1.2kg (2.8 lbs), augmentez-le.

- Simulez un tir et réalisez le cycle entier. L'indicateur devra être apparent, si ça n'est pas le cas contactez le SAV Bergara.

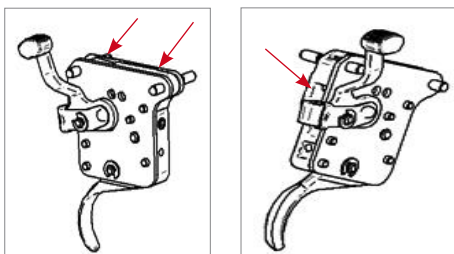
Conseil sur la sécurité :

Ne jamais réaliser ces essais avec une arme chargée.

14. ENTRETIEN DU MÉCANISME DE DÉTENTE

Vous devez lubrifier périodiquement la détente pour un bon fonctionnement.

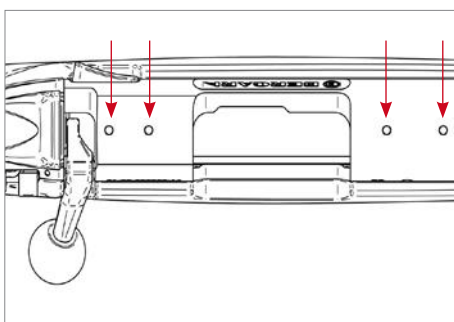
Nous recommandons d'utiliser des lubrifiants liquides et de ne pas employer de graisses solides comme la vaseline.



15. MONTAGE DE LA LUNETTE DE TIR

La carcasse dispose de 4 orifices filetés. Les rails commerciaux validés pour la Remington 700 sont adaptés à la Bergara B14. Les montages sont adaptés en hauteur et les vis aussi.

En installant le rail ou le montage de l'optique, nous recommandons d'utiliser un produit pour bloquer les filetages comparable aux produits Loctite 242. Ceci évitera que les montages se desserrent avec le temps.



15. MONTAGE DE LA LUNETTE DE TIR

Pour installer la lunette, suivez les instructions données par le fabricant de lunette.

Assurez-vous d'utiliser les vis adaptés pour fixer le rail. Les vis ne doivent pas ressortir dans la partie intérieure de la carcasse. Intervenir la position des deux vis pourrait produire des problèmes dans le fonctionnement de l'arme.

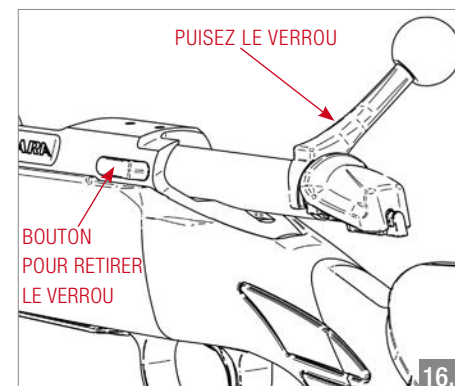
Conseils sur la sécurité :

Tirez toujours avec des lunettes de protection. N'installez pas la lunette trop près de l'œil. Avec le recul la lunette pourrait vous blesser au visage. Comme conseils pratiques l'idéal est que le poing du tireur puisse entrer entre la lunette et l'œil lors du tir. Si la distance oculaire de l'optique est très courte changez la pour une lunette avec une plus grande distance oculaire.

16. DÉMONTAGE DE L'ARME POUR LE NETTOYAGE

Pour le démontage de l'arme pour le nettoyage ou une inspection veuillez suivre les étapes suivantes : (fig. 16.1)

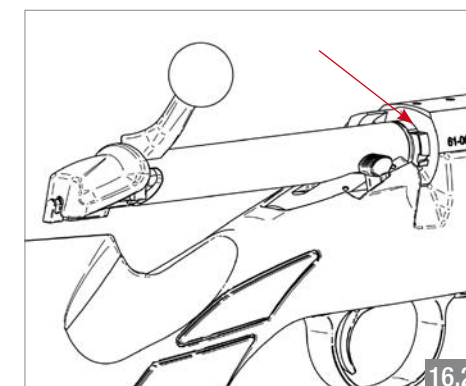
- Déchargez l'arme, sortez la bande du chargeur fixe ou enlevez le chargeur amovible.
- Ouvrez le verrou jusqu'à ce qu'il soit à 25mm de l'ouverture maximale.
- Appuyez sur le bouton pour retirer le verrou puis retirez-le.



- Vérifiez qu'il n'y a pas de munitions, regardez l'intérieur du canon depuis la chambre.

Pour remonter l'arme démontée : (fig. 16.2)

- Appuyez sur le bouton pour remettre le verrou, puis alignez les tenons du verrou avec les gorges ou il coulisse.
- Regardez que la bande du chargeur soit fermée ; sinon fermez-la.



17. NETTOYAGE ET ENTRETIEN

En général, la B14 est une arme facile à entretenir. Dans ce chapitre vous disposerez de toutes les informations pour garder votre carabine bien entretenue.

Après avoir fait un tir avec la carabine, si vous ne nettoyez pas de la façon adéquate avant 24h, la corrosion apparaîtra sur différents composants de l'arme. Dans des environnements humides l'apparition de la corrosion sera plus probable que dans des conditions normales.

Il est donc recommandé de nettoyer les pièces suivantes régulièrement, surtout après une journée de chasse ou au stand de tir (consultez toujours les instructions données par le fabricant de produits chimiques.)

Canon

La haute qualité des canons Bergara nécessite de prendre des précautions pour maintenir sa précision. Vous devrez suivre les conseils suivants :

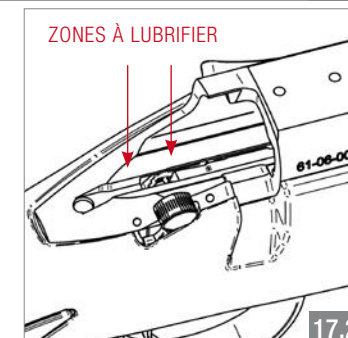
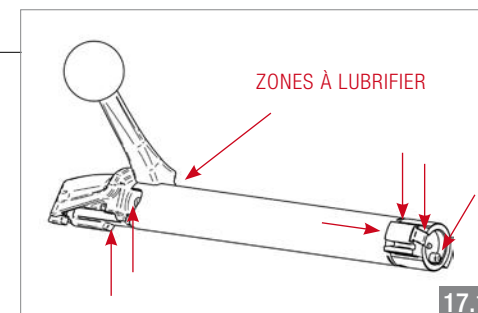
- Le bon sens pour nettoyer un canon est de la chambre vers la bouche du canon. Nettoyer le canon dans le sens contraire affecte sérieusement la précision de l'arme.
- Si possible utilisez une tige de nettoyage d'une seule pièce et de qualité pour éviter d'endommager le canon.
- Utilisez des produits de nettoyages adéquats pour aider à allonger la vie de votre canon.
- Essayez d'éviter que du cuivre s'accumule dans les rayures du canon, cela permettra de réduire considérablement les pressions.
- Nous recommandons l'utilisation de brosse de bonne qualité pour le nettoyage du canon. Ne pas utiliser de brosse en acier inoxydable.
- Nous recommandons aussi un bon nettoyage de la chambre avec une brosse adaptée
- Après avoir nettoyé le canon passez la baguette avec un tampon imbibé d'huile pour arme pour éviter l'oxydation. Passez un tampon sec avant de tirer pour retirer l'excédent d'huile.

Important : les restes d'huile dans le canon au moment de tirer pouvant causer des surpressions.

- Vérifiez souvent que la bouche du canon n'est pas endommagée, ceci pourrait affecter sérieusement la précision.

Action et verrou

- Nettoyez le verrou complètement et l'intérieur de l'action avec un chiffon imprégné d'un produit adapté pour retirer tous les résidus.
- Avec une brosse, nettoyez la tête de culasse et l'extracteur. Nettoyez aussi toutes les parties du mécanisme de tir et les tenons du verrou.
- Vous devez lubrifier ou graisser le corps du verrou, les tenons, les rainures ou coulisse le verrou et toutes les parties mentionnée sur les *fig.17.1 et fig. 17.2*. vous devrez mettre une goutte d'huile fréquemment sur l'expulseur et l'extracteur afin d'obtenir une fine pellicule d'huile.



Stock

- Vous pouvez utiliser une brosse fine pour éliminer la poudre et les résidus à l'extérieur.
- La crosse synthétique peut être nettoyée facilement avec un chiffon micro fibre humide.
- La crosse en bois a été traitée avec de l'huile en usine. Normalement il est suffisant de la sécher après usage, bien que pour la conservée en bon état il est convenable de passer occasionnellement une couche d'huile pour crosse.
- Après avoir nettoyé, graissez toutes les pièces métalliques apparentes sur la carabine.

18. STOCKAGE

- Stockez votre arme dans une chambre forte, et mettez un dispositif pour réduire l'humidité.
- De temps en temps, retirez l'arme de son lieu de stockage et nettoyez là.
- Suivez les normes de stockage des armes.
- Si vous stockez l'arme pendant longtemps sans l'utiliser, gardez-la avec le percuteur abaissé pour éviter de fatiguer les ressorts de percuteurs.

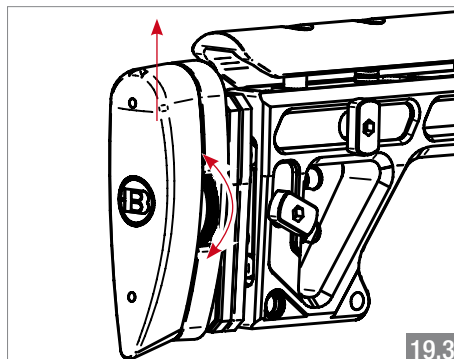
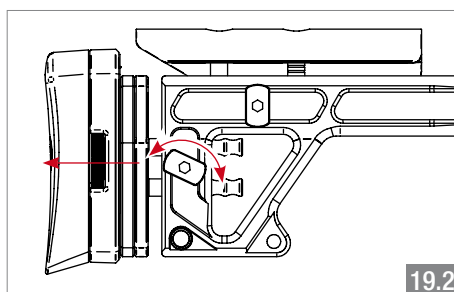
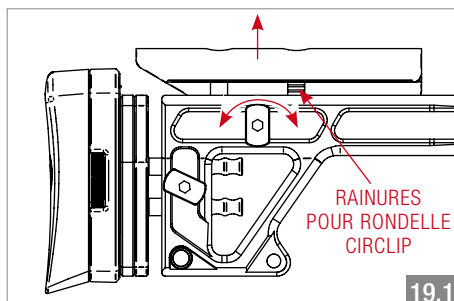
19. B14 MODÈLE BMP

La crosse BMP (Bergara Match Précision) est fabriquée en aluminium aéronautique du type 7075 pour garantir un usage parfait. Dans ce chapitre vous trouverez tous les détails que vous devez savoir sur le fonctionnement de cette crosse.

Réglage de la crosse

La crosse BMP est équipée de 3 systèmes de réglage qui permettent à l'utilisateur d'adapter à sa morphologie et à sa position de tir les éléments de la crosse.

- Le busc peut être ajusté en hauteur très facilement. Tournez le vis du busc vers la gauche pour libérer le busc et adaptez le à la hauteur désirée, une fois adapté, tournez le vis de réglage à droite pour figer le busc au réglage mis en place. Le guide avant du busc est rainuré pour pouvoir mettre une rondelle circlip et ainsi garder toujours le même réglage après démontages et remontages. (fig.19.1)
- Cette carabine peut être ajustée en 5 longueurs différentes, tournez la vis de réglage vers la gauche pour libérer le système, déplacez la place de couche à la position qui vous convient et tournez la vis à la droite pour figer le montage. (fig.19.2)
- La plaque de couche est modulable en hauteur en fonction des nécessités de l'utilisateur. Tournez la molette vers la gauche pour débloquer la plaque de couche, ajustez la comme vous voulez, puis tourner la molette vers la droite pour bloquer la plaque de couche. (fig. 19.3)



- Poignée
- Partie arrière (crosse, nécessite un adaptateur)
- Divers accessoires (rails picatinny, bipied...)

La crosse BMP offre la possibilité d'intégrer des éléments d'AR-15 :

19. B14 MODÈLE BMP

Chargement de la carabine

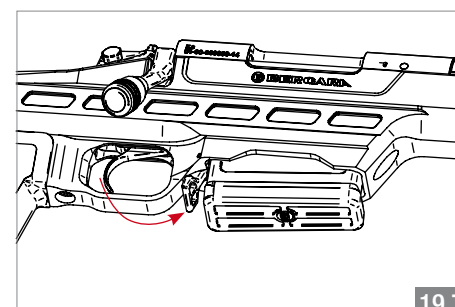
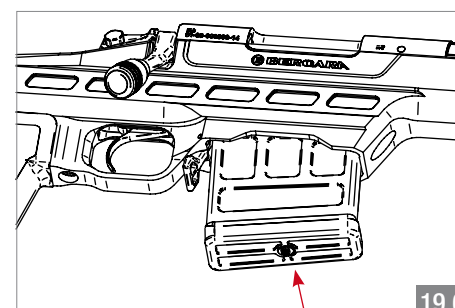
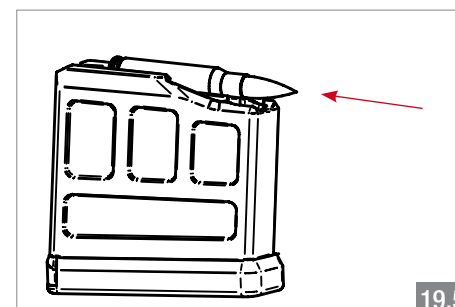
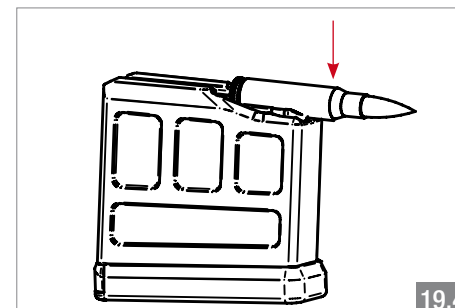
Le chargeur de la carabine BMP se charge de la façon suivante :

- Alimenter le chargeur par l'ouverture supérieure avec la munition correspondante. Pour ça insérez la cartouche vers le bas (fig.19.4) une fois dans le chargeur faite la glisser jusqu'au fond (fig.19.5). La capacité du chargeur est de 5 cartouches plus une chargée. Si vous ne réalisez pas parfaitement ces opérations il pourrait survenir des problèmes de fonctionnement.

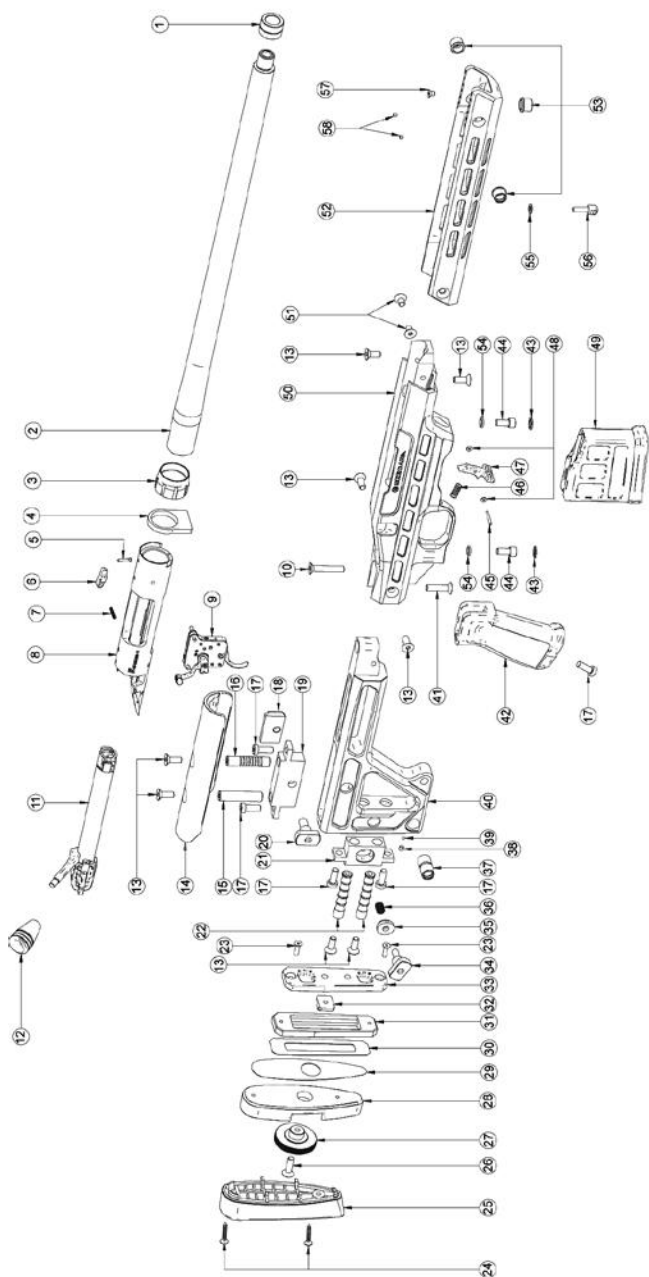
Conseil sur la sécurité :

Vérifiez bien que la munition qui est chargée est la bonne. Le canon de la carabine dispose du calibre marqué sur le côté. Tirer une munition d'un calibre différent au marquage du canon est très dangereux et pourrait causer des accidents très graves.

- Pour mettre le chargeur en place insérez le dans le puits de chargeur avec la partie sortie de munition vers le haut (fig. 19.6) inclinez légèrement le chargeur vers l'avant pour l'introduire plus facilement.
- Actionnez le petit levier en avant du pontet pour libérer le chargeur. (fig. 19.6)



20. DESCRIPTION DU MODÈLE BMP

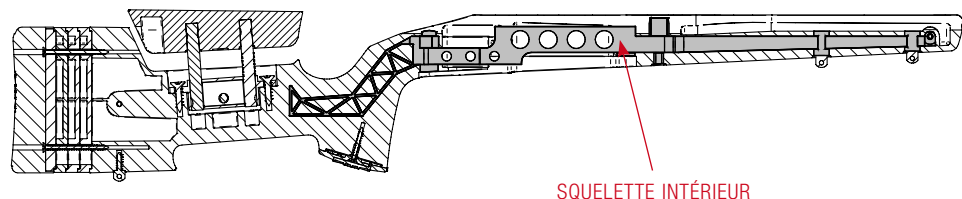


20. DESCRIPTION DU MODÈLE BMP

| ITEM N. | DESCRIPTION | ITEM N. | DESCRIPTION |
|---------|---|---------|---|
| 1 | Bague de filetage | 30 | Adhésif du guide |
| 2 | Canon | 31 | Guide réglages plaque de couche |
| 3 | Bague démontage canon | 32 | Ecrou de réglages de la plaque de couche |
| 4 | Base ancrage canon/carcasse | 33 | Support des guides |
| 5 | Vis du levier de rétention du verrou | 34 | Vis de réglages de la plaque de couche |
| 6 | Levier de rétention du verrou | 35 | Rondelle de fixation de la plaque de couche |
| 7 | Ressort de rétention du verrou | 36 | Ressort de fixation de la plaque de couche |
| 8 | Action | 37 | Support de bretelle arrière |
| 9 | Mécanisme détente | 38 | Ecrou |
| 10 | Vis d'assemblage de la crosse | 39 | Bille de roulement |
| 11 | Corps du verrou | 40 | Partie arrière |
| 12 | Boule du verrou | 41 | Vis d'assemblage de la crosse |
| 13 | Vis d'assemblage du busc | 42 | Grip poignée pistolet |
| 14 | Busc | 43 | Freins de vis |
| 15 | Guide arrière du busc | 44 | Vis de la carcasse |
| 16 | Guide avant du busc (rainuré) | 45 | Tige du levier |
| 17 | Vis de fixation de la base | 46 | Ressort du levier |
| 18 | Ecrou de fixation du busc | 47 | Levier |
| 19 | Base des guides du busc | 48 | Rondelle du levier |
| 20 | Vis de réglage hauteur du busc | 49 | Chargeur |
| 21 | Base des guides de la plaque de couche | 50 | Partie centrale |
| 22 | Guides de la plaque de couche | 51 | Vis d'union crosse |
| 23 | Vis de fixation des pièces | 52 | Garde main |
| 24 | Vis de la plaque de couche | 53 | Support bretelle avant |
| 25 | Plaque de couche | 54 | Rondelle de la carcasse |
| 26 | Vis de réglage de la plaque de couche | 55 | Rondelle de plastique |
| 27 | Molette de réglage hauteur de la plaque de couche | 56 | Grenadière |
| 28 | Support de plaque de couche | 57 | Vis de support |
| 29 | Adhésif en caoutchouc pour support | 58 | Ecrou |

21. B14 MODÈLE HMR

La crosse HMR (Hunting Match Rifle) est pourvue d'un squelette intérieur en aluminium ce qui en fait une crosse parfaite pour la chasse à longue distance. Dans ce chapitre vous aurez tous les détails que vous devrez savoir sur le fonctionnement de cette carabine.

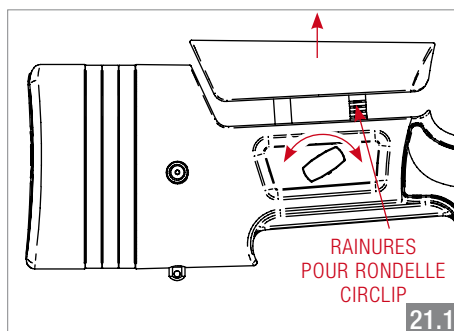


SQUELETTE INTÉRIEUR

Réglage de la crosse

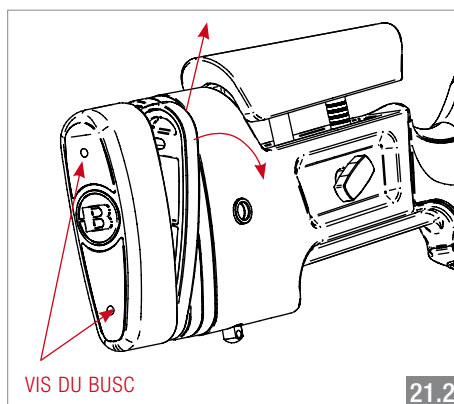
La crosse HMR est modulable en longueur et le réglage du busc permet à l'utilisateur de configurer sa crosse à son goût en fonction de sa morphologie et de ses habitudes de tir.

- Le busc peut être ajusté en hauteur très facilement. Tournez le vis du busc vers la gauche pour libérer le busc et adaptez le à la hauteur désirée, une fois adapté, tournez le vis de réglage à droite pour figer le busc au réglage mis en place. Le guide avant du busc est rainuré pour pouvoir mettre une rondelle circlip et ainsi garder toujours le même réglage après démontages et remontages. (fig. 21.1)
- Cette carabine est ajustable en 4 longueurs différentes. Vous pouvez ajouter des intercalaires ou au contraire en quitter. Sortez les vis de la plaque de couche tournez les intercalaires et enlevez en jusqu'à ce que la



RAINURES POUR RONDELLE CIRCLIP

21.1



VIS DU BUSC

21.2

longueur vous convienne et remettez les vis de la plaque de couche.

21. B14 MODÈLE HMR

Chargement de la carabine

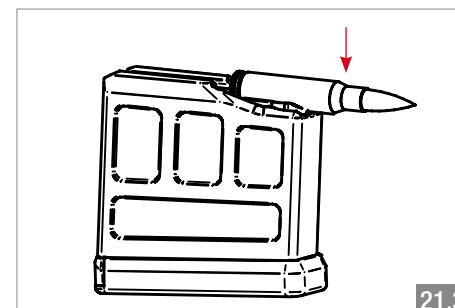
Le chargeur de la carabine HMR se charge de la façon suivante :

- Alimentez le chargeur par l'ouverture supérieure avec la munition correspondante. Pour ça insérez la cartouche vers le bas (fig.21.3) une fois dans le chargeur faite la glisser jusqu'au fond (fig.21.4). La capacité du chargeur est de 5 cartouches plus une chambrée. Si vous ne réalisez pas parfaitement ces opérations il pourrait survenir des problèmes de fonctionnement.

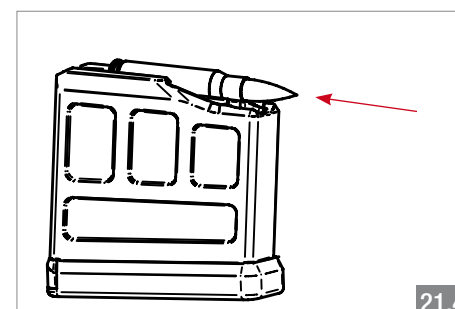
Conseils sur la sécurité :

Vérifiez bien que la munition qui est chargée est la bonne. Le canon de la carabine dispose du calibre marqué sur le côté. Tirer une munition d'un calibre différent au marquage du canon est très dangereux et pourrait causer des accidents très graves.

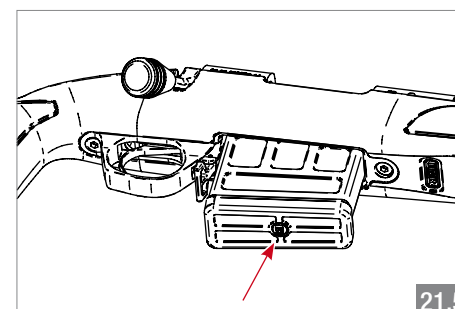
- Pour mettre le chargeur en place insérez le dans le puis de chargeur avec la partie sortie de munition vers le haut (fig. 21.5) inclinez légèrement le chargeur vers l'avant pour l'introduire plus facilement.
- Actionnez le petit levier en avant du pontet pour libérer le chargeur. (fig. 21.6)



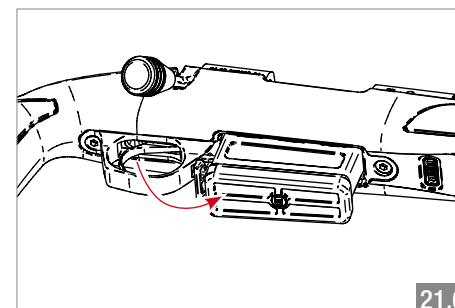
21.3



21.4

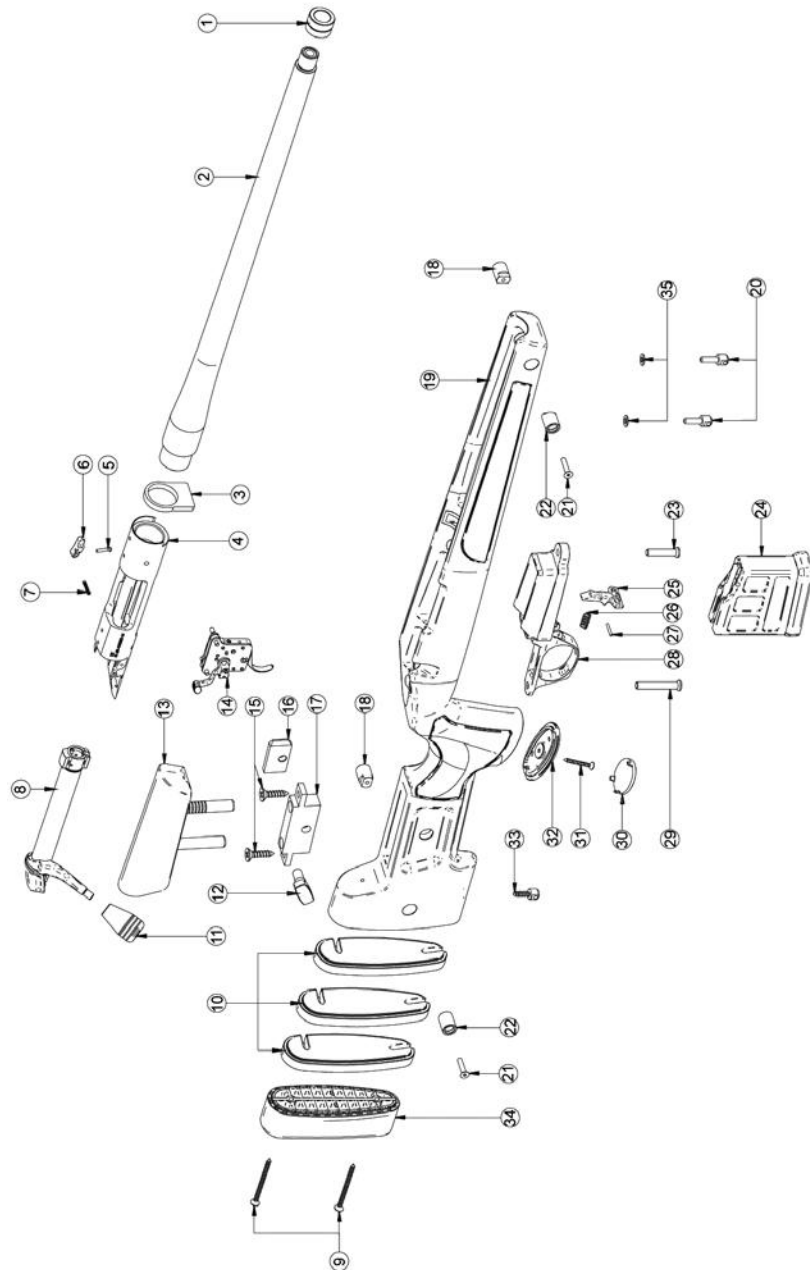


21.5



21.6

22. DESCRIPTION B14 MODÈLE HMR



22. DESCRIPTION B14 MODÈLE HMR

| ITEM N. | DESCRIPTION | ITEM N. | DESCRIPTION |
|---------|--------------------------------------|---------|--|
| 1 | Bague filetage | 19 | Crosse |
| 2 | Canon | 20 | Grenadières |
| 3 | Base ancrage canon/carcasse | 21 | Vis de fixations des supports |
| 4 | Action | 22 | Support de bretelle droit |
| 5 | Vis du levier de rétention du verrou | 23 | Vis de fixation pontet, action, crosse |
| 6 | Levier de rétention du verrou | 24 | Chargeur |
| 7 | Ressort de rétention du verrou | 25 | Levier du chargeur |
| 8 | Corps du verrou | 26 | Ressort du levier de chargeur |
| 9 | Vis de plaque de couche | 27 | Tige du levier de chargeur |
| 10 | Intercalaire plaque de couche | 28 | Pontet |
| 11 | Boule du verrou | 29 | Vis de fixation pontet, action, crosse |
| 12 | Vis de réglages du busc | 30 | Bouchon de calotte |
| 13 | Busc | 31 | Vis de fixation de la calotte |
| 14 | Mécanisme détente | 32 | Calotte |
| 15 | Vis de fixation de la base | 33 | Grenadière |
| 16 | Ecrou de fixation du busc | 34 | Plaque de couche |
| 17 | Base des guides du busc | 35 | Rondelles de plastique |
| 18 | Support bretelle gauche | | |

23. QUESTIONS LES PLUS FRÉQUENTES, CAUSES ET SOLUTIONS

| PROBLÈME | CAUSE | SOLUTION |
|--|---|---|
| L'arme est chargée, j'appuis sur la détente et le coup ne part pas | Munition défectueuse | Essayez avec une autre munition |
| | Le percuteur ne sors pas suffisamment pour percuter la cartouche ou le fais avec trop peu d'énergie | Contactez le SAV Bergara |
| | Percuteur cassé | |
| La cartouche ne rentre pas dans la chambre | Munition du mauvais calibre | Assurez-vous que la munition est du bon calibre |
| | La carabine est déjà chargée | Sortez avec précaution la douille de la chambre |
| | Quelque chose obstrue la chambre ou la chambre est très sale | Nettoyez avec précaution la chambre |
| | La chambre est endommagée | Contactez le SAV Bergara |
| Je n'arrive pas à abaisser le levier du verrou | Chambre sale (reste de douille...) | Nettoyez la chambre et si ça ne marche toujours pas contactez le SAV Bergara |
| | Vous avez utilisé des munitions d'autres calibres | Utilisez des munitions du bon calibre |
| | Expulseur de douille bloquée rigide | Mettez de l'huile, faite fonctionner si ça ne marche toujours pas contactez le SAV Bergara. |
| L'arme tire des lors que je ferme le verrou | Détente endommagée ou dérégulée | Arrêtez immédiatement, très dangereux. Contactez le SAV Bergara |
| L'arme tire avec la sécurité engagée | Attention ! Très dangereux ! Détente défectueuse | Contactez le SAV Bergara |
| La carabine a tiré mais la douille ne sort plus | L'extracteur ne fonctionne pas correctement. | Contactez le SAV Bergara |
| | | Vérifiez que l'expulseur fonctionne correctement (effet ressort) |
| | | Vérifiez que l'expulseur n'est pas cassé |
| | | S'il est cassé ou ne fonctionne pas correctement contactez le SAV Bergara |
| | Douille défectueuse | Essayez avec d'autres munitions |
| Chambre endommagée | Contactez le SAV Bergara | |

23. QUESTIONS LES PLUS FRÉQUENTES, CAUSES ET SOLUTIONS

| PROBLÈME | CAUSE | SOLUTION |
|---|--|---|
| Je ne peux plus introduire les cartouches dans le chargeur | Palette du chargeur mal positionnée | Remplacez la palette correctement |
| | Cartouches mal introduites | Quand vous introduisez la cartouche vous devez enfoncer la cartouche jusqu'à ce que le culot touche la partie arrière du chargeur. Mettre la balle comme indiqué page 104 |
| | Calibre de la munition incorrect | Assurez-vous que le calibre correspond au canon |
| La carabine tire, extrait la balle de la chambre mais ne l'éjecte pas | Expulseur sale ou oxydé | Nettoyez bien et lubrifiez la zone |
| | L'expulseur ne fonctionne pas correctement | Regardez que l'extracteur et l'expulseurs bougent correctement Vérifiez que l'extracteur n'est pas cassé Si vous constatez un problème contactez le SAV Bergara |
| Je ne peux pas ouvrir l'ouverture inférieure du chargeur | Saleté ou entretien insuffisant | Nettoyez puis lubrifiez la zone avec de l'huile en spray |
| Je ne peux pas fermer la trappe inférieure du chargeur | Problèmes de la palette du chargeur ou du ressort | Contactez le SAV Bergara |
| La carabine n'engage pas les cartouches du chargeur | Saleté ou entretien insuffisant | Nettoyez bien et lubrifiez la zone avec de l'huile en spray |
| | Problèmes sur la palette ou le ressort du chargeur | Contactez le SAV Bergara |
| | Cartouches mal introduites dans le chargeur | Sortez les balles et alimentez le chargeur de nouveau en vous assurant que les balles ce sont bien introduites suivez les conseils de la page 104 de ce manuel |
| | Le levier de sortie du verrou est cassé | Contactez le SAV Bergara |

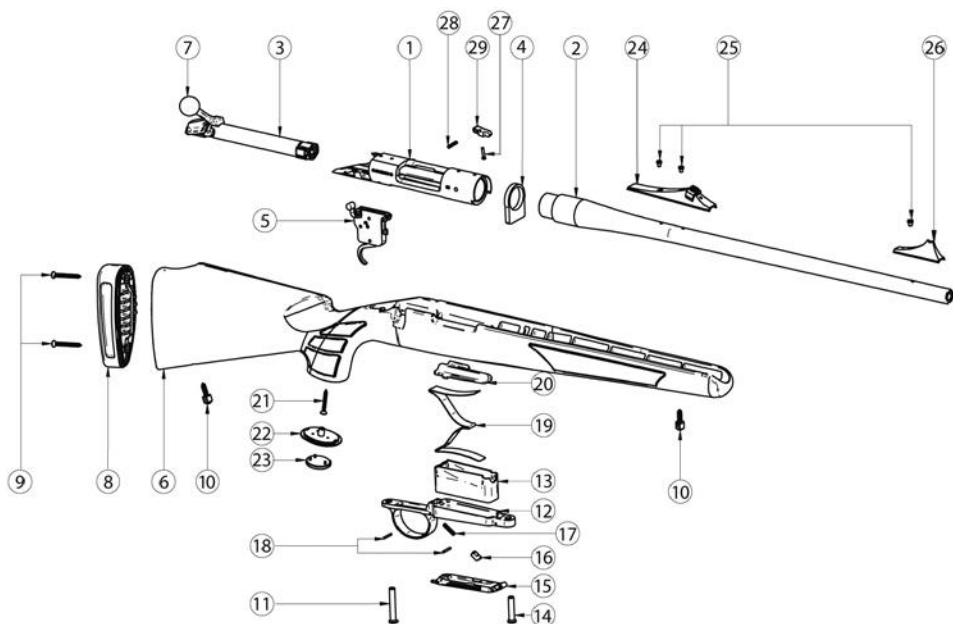
23. QUESTIONS LES PLUS FRÉQUENTES, CAUSES ET SOLUTIONS

| PROBLÈME | CAUSE | SOLUTION |
|--|--|--|
| Le verrou sort sans toucher au levier pour retirer le verrou | Le levier de sortie du verrou est cassé | Contactez le SAV Bergara |
| Le capuchon arrière du verrou bouge | Tourné accidentellement quand le verrou était dehors | Tournez le capuchon jusqu'à sa position initiale avec la main |
| La détente est très dure | Détente mal réglée, saleté, détente défectueuse | Faites régler la dureté par un armurier qualifié ou contactez le SAV Bergara |
| Le mouvement du verrou est très dur | Mauvaise lubrification ou saletés | Sortez le verrou et nettoyez le verrou et l'action |
| | Verrou endommagé | Contactez le SAV Bergara |
| L'arme c'est oxydée | Entretien trop insuffisant | Éliminez l'oxydation puis huilez l'arme |
| Le levier de verrou est très dur | Entretien insuffisant, saletés | Contactez le SAV Bergara |
| | Munitions inadaptées qui causent des surpressions | Nettoyez et lubrifiez correctement |
| | Problème du mécanisme de la carabine | Utilisez des munitions commerciales |
| La boule de verrou se retire seule | Filetage cassé | Utilisez un produit pour bloquer la boule dans le filetage |
| | La boule est mal fixée | Contactez le SAV Bergara |

23. QUESTIONS LES PLUS FRÉQUENTES, CAUSES ET SOLUTIONS

| PROBLÈME | CAUSE | SOLUTION |
|--------------------------------|---|--|
| La carabine ne groupe pas bien | Munition inadéquate | Essayez avec d'autres munitions |
| | Munition rechargée | |
| | Vous avez fait tomber l'arme ? | Vérifiez le bon état de l'arme et des éléments de visée, si tout est ok et que la carabine ne groupe pas contactez le SAV Bergara pour évaluer les dommages et la garantie |
| | Canon sale ou oxydé (surtout la bouche du canon) | Nettoyez bien le canon en fonction des conseils de ce manuel |
| | Chambre sale | |
| | Éléments de visés mal réglés ou cassés (lunette de tir) | Assurez-vous que les éléments de visée sont serrés à 7 Nm. |
| | Coup sur la bouche du canon | Contactez le SAV Bergara |
| | Accessoires montés sur le canon (à part lunette ou éléments de visée) | Démontez les accessoires que vous aviez montés sur le canon |
| | Canon qui touche le garde main, n'est plus flottant | Contactez le SAV Bergara |
| | La crosse est pas bien adaptée | Assurez-vous que toutes les vis sont bien serrées |
| | Détente très dure | Contactez le SAV Bergara |
| | Chambre endommagée | |
| | Fermeture du verrou défectueuse | |

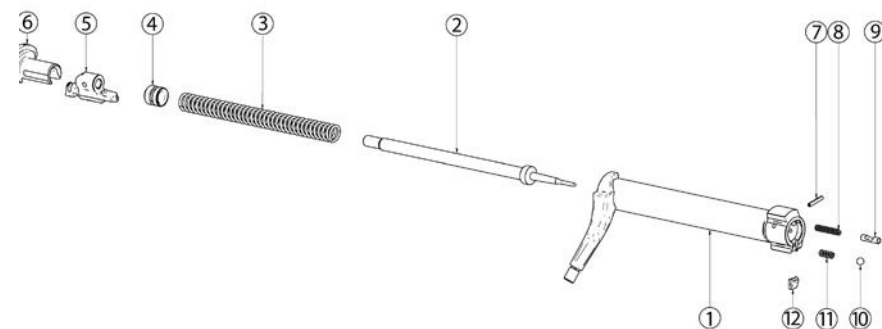
24. DESCRIPTION GÉNÉRALE



| ITEM N. | DESCRIPTION | ITEM N. | DESCRIPTION |
|---------|---|---------|--|
| 1 | Action | 16 | Bouton d'ouverture du chargeur |
| 2 | Canon | 17 | Ressort du bouton d'ouverture |
| 3 | Corps du verrou | 18 | Tige pontet |
| 4 | Base ancrage canon/crosse | 19 | Ressort du chargeur |
| 5 | Mécanisme détente | 20 | Palette |
| 6 | Crosse | 21 | Vis de fixation de la calotte |
| 7 | Boule de verrou | 22 | Calotte |
| 8 | Plaque de couche | 23 | Capuchon de calotte |
| 9 | Vis de plaque de couche | 24* | Hausse |
| 10 | Grenadière | 25* | Vis des éléments de visée |
| 11 | Vis de fixation arrière de la crosse/ pontet/ canon | 26* | Point de mire |
| 12 | Pontet | 27 | Vis du levier de rétention du verrou. |
| 13 | Chargeur | 28 | Ressort du levier de rétention du verrou |
| 14 | Vis de fixation avant crosse/pontet/canon | 29 | Levier de rétention du verrou |
| 15 | Ouverture du chargeur/ fond du chargeur | | |

* Les mires sont uniquement disponibles en Europe

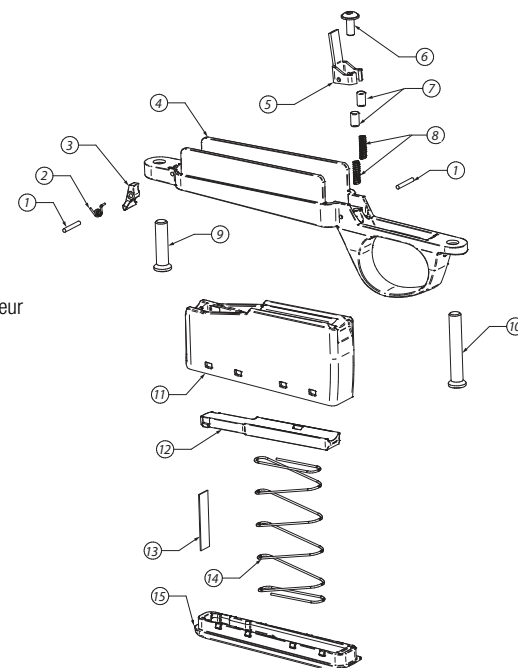
24. DESCRIPTION GÉNÉRALE



| ITEM N. | DESCRIPTION | ITEM N. | DESCRIPTION |
|---------|--------------------------------|---------|------------------------|
| 1 | Corps du verrou | 7 | Tige de l'expulseur |
| 2 | Percuteur | 8 | Ressort de l'expulseur |
| 3 | Ressort du percuteur | 9 | Expulseur/éjecteur |
| 4 | Bouchon de maintien du ressort | 10 | Bille d'extracteur |
| 5 | Libérateur du percuteur | 11 | Ressort d'extracteur |
| 6 | Bouchon du percuteur | 12 | Extracteur |

ITEM N. DESCRIPTION

| | |
|----|---|
| 1 | Tige du pontet |
| 2 | Ressort du levier |
| 3 | Levier de libération du chargeur |
| 4 | Pontet |
| 5 | Plaque d'expulsion ou de maintien du chargeur |
| 6 | Vis de réglage de la plaque de maintien du chargeur |
| 7 | Tige |
| 8 | Ressorts |
| 9 | Vis avant de la crosse |
| 10 | Vis arrière de la crosse |
| 11 | Corps du chargeur |
| 12 | Palette |
| 13 | Plaque du chargeur |
| 14 | Ressort du chargeur |
| 15 | Ouverture du chargeur/ fond du chargeur |



25. GARANTIE

Si vous avez des questions à propos de la garantie, vous pouvez contacter : Info@bergararifles.com

Pour les états unis et le canada contactez : contact@bergarausa.com

Ou par courrier postal au :

DIKAR S. Coop

Ugarte, 26

20570 Bergara - Gipuzkoa (Spain)

Bergara North America

BPI Outdoors

1270 Progress Center Ave. Suite 100

Lawrenceville, GA 30043

La carabine B14 est garantie à vie pour tous types de défauts de fabrication. Cette garantie est applicable seulement pour l'acheteur original et n'est pas transférable. Cette garantie ne couvre pas l'usure normale et les dommages normaux, les finitions du métal ou du bois, un usage abusif ou une mauvaise utilisation, les dommages matériels, le cout des désagréments subis ou le fait de ne pas utiliser l'arme.

Cette garantie est octroyée pour certains droits en fonction de la loi, et vous pourriez bénéficier d'autres droits qui varient d'un état à un autre, et d'un pays à l'autre. A part dans certains cas d'annulation de garantie mentionnés dans ce manuel, la garantie n'est pas valable si :

- Si des personnes non autorisées dans ce manuel on effectuée des réparations.
- Si l'arme a mal été entretenue (sale, oxydée, avec de la corrosion...)
- Si vous avez utilisé des munitions militaires, munitions rechargée, non autorisée par les normes CIP ou SAAMI
- Dommage par la suite du non-respect des instructions données dans ce manuel.

L'arme est vendue identifiée avec ses numéros de série sur le côté de l'action.

IMPORTANT ! En cas de renvois, assurez-vous que l'arme est déchargée !

B BERGARA

Service après-vente SAV :

BERGARA

DIKAR S. Coop

Ugarte, 26

20570 Bergara - Gipuzkoa (Spain)

Tel.: +34 943 769 893

info@bergararifles.com

www.bergararifles.com

Facebook: Bergara Rifles Europe

Youtube: bergarainternational

Service après-vente états unis d'Amérique :

Bergara North America

BPI Outdoors

1270 Progress Center Ave. Suite 100

Lawrenceville, GA 30043

800 320-8767

www.bergarausa.com

contact@bergarausa.com

Facebook: Bergara USA

Youtube: Bergara US





BERGARA®

OUR BARRELS MAKE THE DIFFERENCE

BPI Outdoors

1270 Progress Center Ave. Suite 100
Lawrenceville, GA 30043
USA

www.bergarausa.com
contact@bergarausa.com

DIKAR S. COOP

Ugarte, 26
20570 Bergara
Gipuzkoa - Spain

www.bergararifles.com
info@bergararifles.com



Facebook

Bergara USA



Youtube

Bergara US



Instagram

bergara_rifles



Twitter

bergarausa



Facebook

Bergara Rifles Europe



Youtube

bergarainternational



Instagram

bergarainternational



Twitter

Bergara_intl