



**B** **BERGARA**<sup>®</sup>  
OUR BARRELS MAKE THE DIFFERENCE

# **BXR** **RIMFIRE** **SERIES RIFLES**

INSTRUCTION AND SAFETY MANUAL  
MANUAL DE INSTRUCCIONES Y SEGURIDAD  
GEBRAUCHSANWEISUNGEN UND SICHERHEITSHANDBUCH  
MANUEL D'INSTRUCTION ET DE SÉCURITÉ  
MANUALE DI ISTRUZIONI E SICUREZZA



1. Introduction	4
2. General safety	5
3. Safety considerations for all firearms	6-7
4. Before firing the rifle	7
5. Loading the ammunition into a detachable magazine	8
6. Functioning of detachable magazine system	8
7. Loading the rifle	9
8. Firing the rifle	10
9. Mounting the scope	11
10. Trigger pull adjustment	11
11. Field strip	12-13
12. Cleaning and maintenance	13-15
• Barrel	14
• Receiver and bolt	14-15
• Stock	15
• Trigger	15
13. Storage	15
14. General description	16-17
15. Warranty	18

# 1. INTRODUCTION

Thank you for buying a Bergara BXR rifle.

We hope that this firearm is up to your expectations, serves you as intended and gives you years of satisfaction.

Please read this manual. There are many features that the user must familiarize with to safely use this firearm.

*The future of shooting sports depends on you.*

Accidents, misuse of firearms etc. are portrayed as reasons to ban shooting sports in general, and firearms in particular. Please be responsible, promote safety and listen to safety advice from other fellow shooters.

If after reading the instructions warnings and risks detailed in this manual you are not ready to accept the responsibility involved in handling and shooting a firearm safely, return the gun to where you purchased it.

*All security measures should be taken into account for the safe use of the firearm.*

## 2. GENERAL SAFETY

### 10 Safety rules for handling your firearm

1. Always keep the muzzle pointed in a safe direction, even when the rifle is unloaded.
2. Be sure of your target and of what is behind it before aiming at anything.
3. Never trust the mechanical safety catch of a firearm.
4. The firearm must be unloaded until the moment of use.
5. Always use eye and ear protection.
6. The barrel must be free from any obstruction before loading and firing.
7. Handle every firearm as if it were loaded.
8. Store firearms and ammunition separately and in an enclosed, locked area.
9. Avoid the consumption of alcohol and drugs before and while using a firearm.
10. Do not alter or modify your firearm. Make sure your firearm is serviced regularly by a competent gunsmith. Make sure all the parts are working properly before each use.

**WARNING:** *This product can expose you to chemicals including lead, which is known to the State of California to cause cancer and birth defects or other reproductive harm.*

For other information go to: [www.P65Warnings.ca.gov](http://www.P65Warnings.ca.gov)

### 3. SAFETY CONSIDERATIONS FOR ALL FIREARMS

- Never smoke while you are shooting or handling a firearm or related material. The ashes or sparks can ignite the gunpowder or cartridges, causing personal injury or death.
- Always use eye protection. It is possible that sparks fly from the breech or the muzzle when we use a rifle.
- Always check the rifle before using it to ensure it is in good working order. Test the trigger and the release system carefully before loading. Make sure that the barrel is not obstructed. Any obstruction can cause the barrel to rupture, resulting in serious injury or death.
- Never load a firearm until you are ready to shoot. You must remove the cartridge when walking, climbing trees or fences, passing the firearm from one person to another, jumping a wall or fence, etc.
- Never lean a firearm against a wall, a tree, a vehicle or any other surface. If a loaded firearm falls it may cause the weapon to accidentally fire, causing serious injury or death.
- Never transport a loaded firearm in any type of vehicle. The firearm is considered to be loaded all the while that the cartridge remains in the chamber.
- Never store a loaded firearm. The firearm must be unloaded and cleaned before any type of storage.
- Never load a firearm without first ensuring that the barrel is clean and unobstructed. If the firearm falls to the floor by accident, check that the barrel has not become obstructed.
- Be very careful when hunting from a position in a tree. If a loaded firearm accidentally falls it may cause the weapon to fire, causing serious injury or death. Make sure the firearm is unloaded before climbing up or down from a tree.
- Never trust the mechanical safety catch! Mechanical devices can and do fail. Firearms must always be handled as if they were ready for shooting, regardless of the position or the mechanical condition of the safety catch.
- Always follow the proper cleaning procedures. Shooting a firearm that is poorly maintained or corroded can lead to dangerous pressure and/or cause the barrel to explode, causing serious injury or death.
- Never point the barrel at anything you do not wish to see damaged. When carrying the firearm on your shoulder, make sure that the barrel is pointing upwards.

### 3. SAFETY CONSIDERATIONS FOR ALL FIREARMS

- Never try to modify the inner parts of your firearm. Doing so may cause a dangerous situation, provoking an accidental discharge of the weapon and causing serious injury or death. These alterations will generally void the warranty.
- Never leave the firearm unattended or in the reach of children. In some countries it is punishable by law.

### 4. BEFORE FIRING THE RIFLE

Familiarize yourself with the rifle. Learn how it works and how to use it without ammunition.

Recommendations before using the rifle:

- Check that the rifle is not loaded, i.e. that there is no casing in the chamber or obstruction in the bore.
- Make sure that there is no cartridge in the magazine.
- Clean the bore of the barrel as shown in the section on "Cleaning and Maintenance".
- Wipe off the excess oil from the receiver area.
- Check the trigger for proper function by dry firing several times.

**NOTE:** Excessive dry firing can damage the firing pin of rimfire rifles, including this BXR.

- After completing the above steps, you can load the firearm as shown in the following section of this manual.

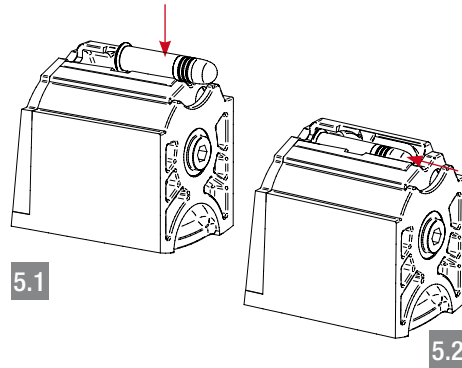
## 5. LOADING THE AMMUNITION INTO A DETACHABLE MAGAZINE

The BXR is used as follows:

Load the magazine from the upper side with the corresponding ammunition. Push the cartridge down (Fig. 5.1) and once it leans on the front side of the magazine slide it back. (Fig. 5.2)

The capacity of the magazine is 10 cartridges.

Functioning problems may happen if these steps are not followed.



### **Safety advice:**

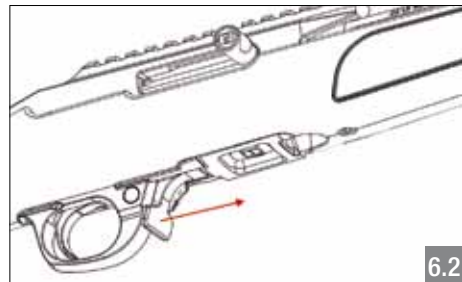
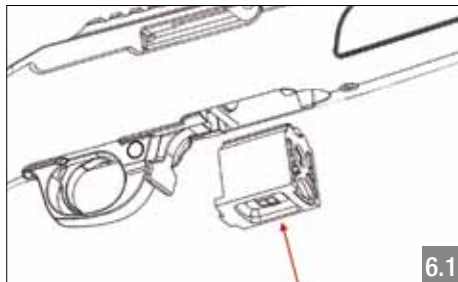
*Double check that the ammunition being loaded is the correct type. The barrel of the rifle has the caliber marked on the side. Shooting ammunition of a different caliber to that marked on the barrel is very dangerous and can cause very serious accidents.*

***WE DO NOT RECOMMEND USING HYPER-VELOCITY AMMUNITION SUCH AS STINGER® AMMUNITION, AS THESE MAY NOT CHAMBER PROPERLY.***

## 6. FUNCTIONING OF DETACHABLE MAGAZINE SYSTEM

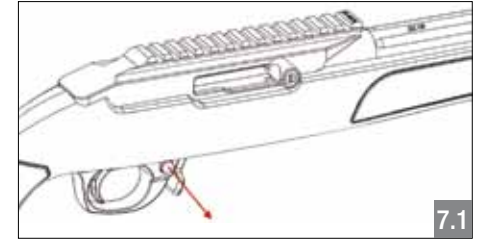
To install the magazine, insert it completely inside the stock until it fits flush and the magazine catch is fully engaged. (Fig. 6.1)

To release the magazine, pull the lever located on the front side of the trigger guard. (Fig. 6.2)

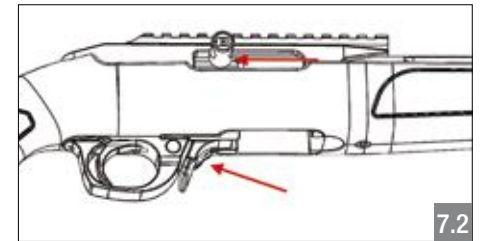


## 7. LOADING THE RIFLE

- Ensure safety is engaged by pushing the safety mechanism to the right, or to the position that displays no red ring. (Fig 6.1)
- Put the bolt handle in the rear position and make sure the firearm is not loaded. Verify that nothing is obstructing the bore.

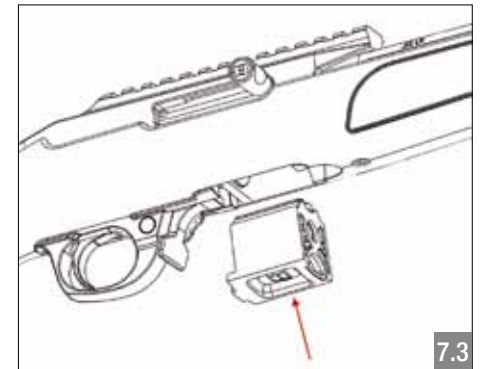


- Lock bolt in the rearward position using the bolt lock mechanism. (Fig 6.2)
- Firmly insert magazine into the firearm until it latches. (Fig 6.3)



**NOTE:** Magazine will only latch if oriented correctly.

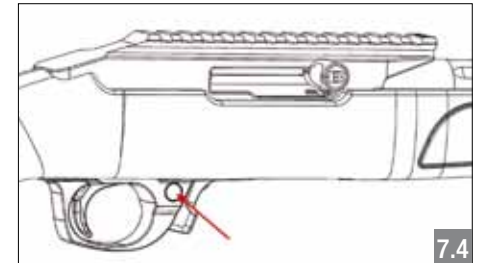
- Pull the bolt handle to the rear to release the bolt lock. Then, release the bolt handle, allowing the bolt to close freely under spring tension.
- The rifle is now considered loaded.



### **Safety advices:**

*Do not touch the trigger during the magazine loading process. Doing so is unsafe and may result in an accidental discharge.*

- When you are ready to shoot, disengage the safety catch (push safety to the left) and gently pull the trigger. (Fig 6.4)



## 8. FIRING THE RIFLE

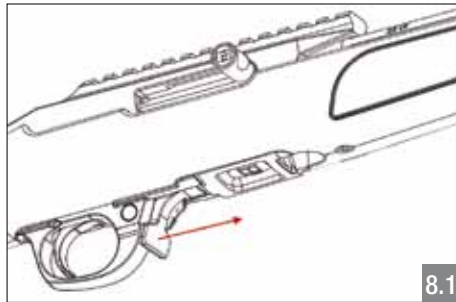
### **Safety advice:**

*Do not attempt to remove the bullet that is stuck by firing again, because the pressure created can destroy the firearm injuring the shooter. Take the rifle to a qualified gunsmith or contact **Bergara Customer Service**.*

- Once fired, the rifle will automatically reload and re-cock the hammer. This process will repeat until all rounds have been cycled through from the magazine.

**NOTE:** Bolt does not lock in the open position after the last round has been fired.

- To unload the BXR, move the bolt to the rear position and lock the bolt open using the bolt lock. Remove the detachable magazine by pulling or pushing forward on the magazine release lever. (Fig. 8.1)
- Check that no cartridge remains in the chamber.



### **Safety advice:**

*If you suspect you have experienced a defective cartridge and that the bullet has not left the barrel, remove the bolt and check it. Do not attempt to remove the bullet that is stuck by firing again, because the pressure created can destroy the firearm injuring the shooter. Attempting to pound the bullet out with a cleaning rod or other metal rod may severely damage the bore. Take the rifle to a qualified gunsmith or contact **Bergara Customer Service**.*

## 9. MOUNTING THE SCOPE

The BXR has a 30 MOA Picatinny rail integrated into the receiver. (Fig 9.1)

Use rings of appropriate height to allow the scope to clear the barrel.

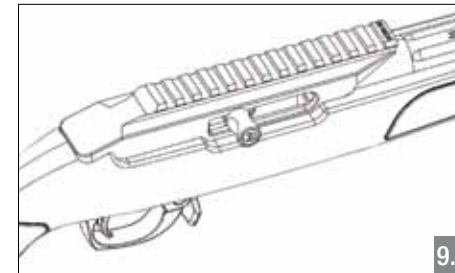
When you install the scope ring, we recommend using a thread locking product compara-

ble to Loctite® 242. This will prevent the scope from loosening over time due to the recoil.

To install the scope, follow the instructions provided by the scope manufacturer.

### **Safety advice:**

*Always wear protective glasses when firing. Do not install the scope too close to the eye. Due to the recoil the scope can hit the shooter's face and cause injury. As practical advice, check that your fist can fit between your eye and the scope. If the eye relief is too short, move the scope forward or replace the scope for one with greater eye relief.*



## 10. TRIGGER PULL ADJUSTMENT

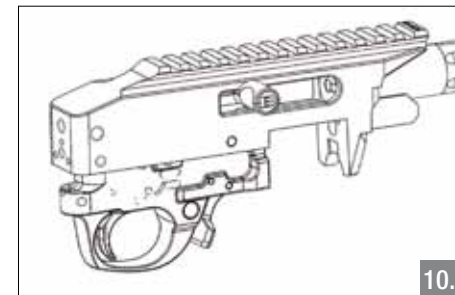
The BXR does not feature an adjustable trigger mechanism. The trigger pull is pre-set at the factory. (Fig 10.1)

### **Safety advices:**

*A number of after-market 10/22 trigger packs are compatible with the BXR. If you choose to use an alternative trigger pack, we suggest bringing the rifle and the alternative trigger pack to a qualified gunsmith for installation and to ensure it functions properly.*

*The trigger must be adjusted by the factory only.*

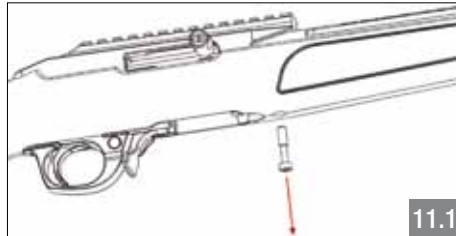
*A trigger that is too light can cause an accidental discharge.*



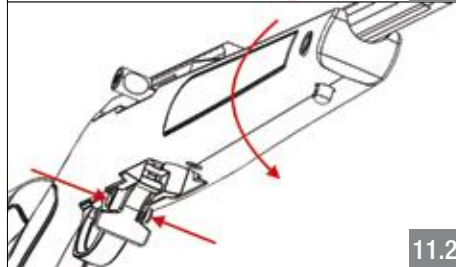
## 11. FIELD STRIP

To dismantle the gun for cleaning or inspection, follow the steps listed below:

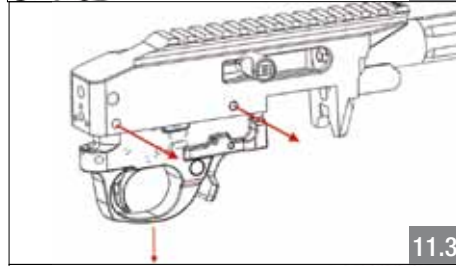
- Unload the rifle by removing the detachable magazine.
- Move the bolt to the rear position and make sure that there is no cartridge in the chamber.
- Loosen the stock screw. (Fig. 11.1)
- Put the safety in the central position and remove the stock. (Fig. 11.2)
- Remove the trigger guard pins and remove the trigger assembly. (Fig. 11.3)
- Remove the rear recoil buffer pin, move and hold the bolt to the rear position and remove the bolt. (Fig. 11.4)



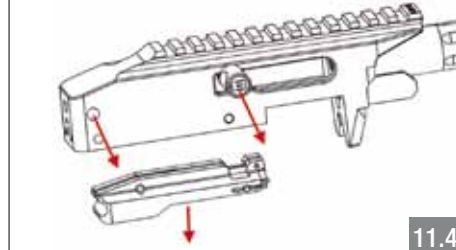
11.1



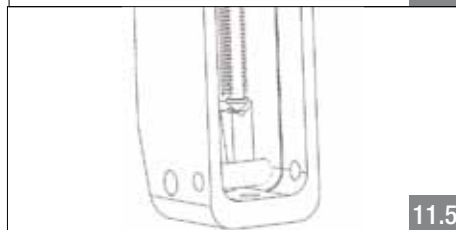
11.2



11.3



11.4

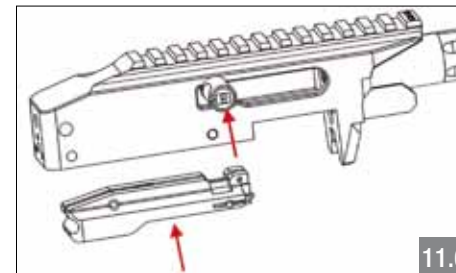


11.5

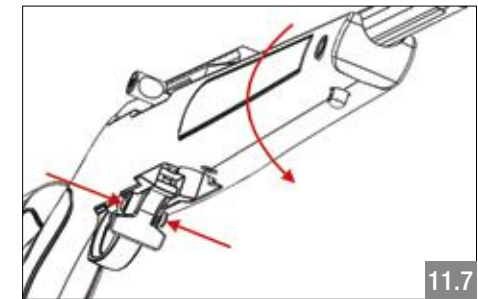
To re-assemble the dismantled rifle, take the following steps:

- Place the bolt handle and recoil spring assembly into the receiver. The end of the recoil spring guide rod should be seated in the position shown. (Fig. 11.5)
- Pull the bolt handle back until fully in the rear position and place the bolt over the bolt handle. (Fig. 11.6)
- Press the bolt into place. The bolt handle should be seated in the notch on the top of the bolt.
- Allow the bolt to move to the forward position.
- Insert the recoil buffer into the receiver.

## 11. FIELD STRIP



11.6

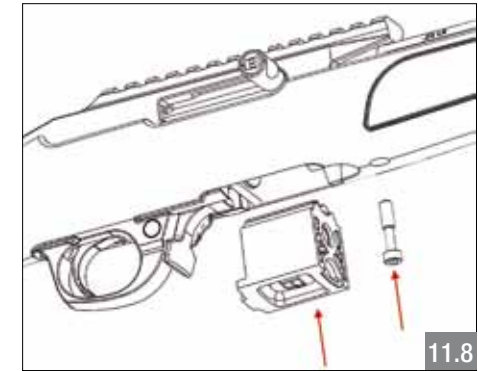


11.7

- Install the trigger assembly and insert the two retaining pins.
- Move the safety into a central position and assemble the barrel and receiver into the stock. (Fig. 11.7)

**NOTE:** The receiver must insert slightly ahead of its normal position and moved rearward as it's lowered into place.

- Tighten the stock screw to approximately 30-inch pounds of torque. (Fig. 11.8)



11.8

## 12. CLEANING AND MAINTENANCE

In general, the BXR rifle is easy to maintain. In this section you will find all the information required to keep the rifle in good shape.

We recommend that you clean the following parts regularly, especially after a day of hunting or on the shooting range (always refer to the instructions provided by the manufacturer of the chemical products used).

We suggest cleaning your BXR rifle after the first 100 rounds, and every 200-300 rounds following.

**NOTE:** Shooting suppressed will increase backpressure as well as fouling accumulation in the receiver and bolt area. If the rifle begins to experience failures to cycle or fire while shooting suppressed, clean the receiver, bolt and chamber areas thoroughly.

## 12. CLEANING AND MAINTENANCE

### Barrel

The high quality of the Bergara rifle barrel requires proper care to maintain its accuracy. The following advice should be followed:

- The correct direction for cleaning is from the chamber to the muzzle. Cleaning the barrel in the opposite direction can cause excessive wear on the muzzle of the barrel. This will permanently affect the accuracy of the rifle. An access hole is provided in the rear of the receiver for the passage of the cleaning rod into the barrel. Field strip the rifle using the instructions found in section 11.
- If possible, use a quality, one-piece cleaning rod to avoid damaging the bore.
- Use suitable cleaning products to help prolong the life of the barrel.
- Run an appropriately sized dry patch (a cloth square) through the barrel. This will push out any loose fouling.
- Then run a solvent-wet patch down the bore until the grease and dirt are removed from the bore and the chamber.

**NOTE:** We suggest following the manufacturer's instructions for use.

- Try to avoid the accumulation of too much copper, lead or powder fouling in the bore. These accumulations will significantly reduce the accuracy.

**IMPORTANT:** Extraction problems may occur if solvent isn't used to remove fouling on the breach end of the barrel, including the extractor groove.

- Use a high-quality bronze or nylon brush for cleaning the bore. Avoid stainless steel brushes.
- After cleaning the bore, apply a patch soaked in gun oil to prevent rust. Run a dry cloth through it before shooting to remove the oil and not damage the bore.

**IMPORTANT:** We suggest lightly oiling the inside of the barrel and the outside metal surfaces of the gun after cleaning. Before shooting again, run a dry patch through the barrel to remove excess oil. Traces of oil inside the barrel at the moment of firing can cause overpressure.

- Check the crowning regularly for damage because this can seriously affect the accuracy.

### Receiver and Bolt

- Clean the entire bolt and the inside of the receiver with a cloth saturated with a suitable firearm cleaning product to remove residues.
- Using a brass or nylon brush, clean the bolt face and extractor. Also clean the exposed area of the firing mechanism.
- The body of the bolt and bolt handle must be lubricated. Periodically, a drop of suitable oil

## 12. CLEANING AND MAINTENANCE

should be placed on the extractor (Fig 13.1) to maintain n gum up the operation of the bolt mechanism.

- Clean and lightly lubricate the bolt handle and recoil spring assembly.



12.1

### Stock

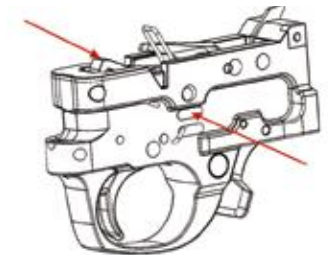
- A fine brush can be used to remove dust from the exterior.
- The synthetic stock is easily cleaned with a damp microfiber cloth.

- Avoid getting gun cleaning solvents and other chemicals on the stock. Some chemicals can affect the paint.

**NOTE:** Avoid insect repellants containing DEET as it can deteriorate the finish of the stock.

### Trigger

- The trigger must be lubricated periodically for proper maintenance and operation. (Fig 13.2)
- We recommend spraying a thin liquid lubricant.



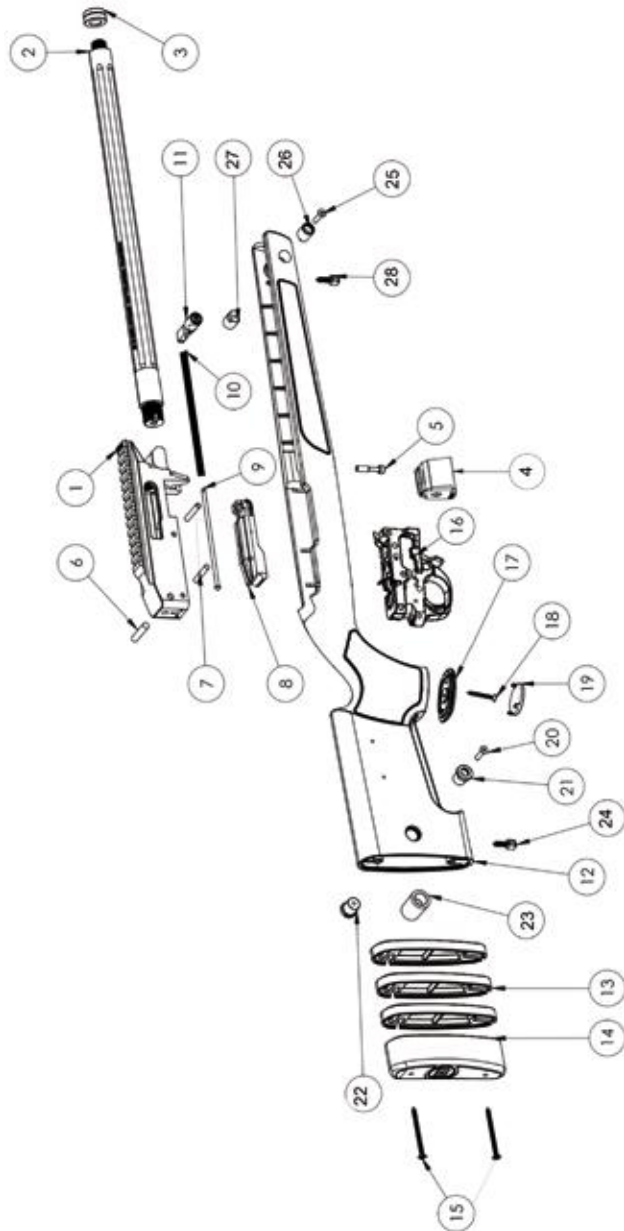
12.2

## 13. STORAGE

- Store your gun in a safe that includes a method for reducing the relative humidity.
- From time to time, remove the rifle from its storage location and clean it.
- Follow the legal regulations regarding storage of firearms.
- If you are going to keep the rifle in the gun rack for an extended time, store it uncocked, with the hammer spring in the resting position, i.e. not compressed.
- Maintain a thin film of protective oil on the metal surfaces to further protect against corrosion.

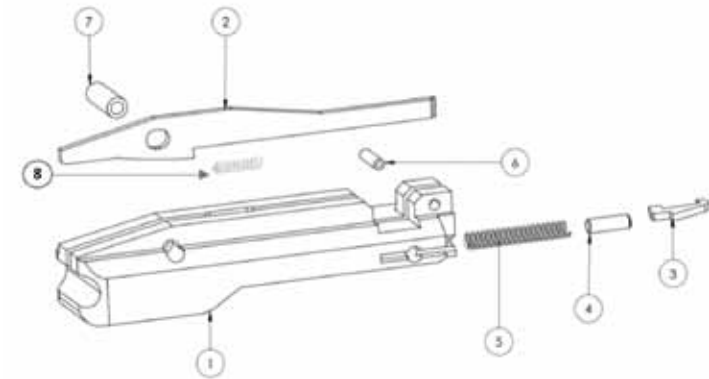


## 14. GENERAL DESCRIPTION



## 14. GENERAL DESCRIPTION

ITEM N.	DESCRIPTION	ITEM N.	DESCRIPTION
1	Receiver	15	Recoil Pad Screws
2	Barrel	16	Trigger Assembly
3	Thread Cap	17	Grip Cap
4	Magazine	18	Grip Cap Fixing Screw
5	Stock Screw	19	Grip Cap Cover
6	Buffer Pin	20	Flush Cup Screw
7	Trigger Pins	21	Rear / Right Flush Cup
8	Bolt	22	Rear / Left Flush Cup
9	Recoil Spring Guide	23	Stock Bushing
10	Recoil Spring	24	Flush Cup
11	Bolt Handle	25	Flush Cup Screw
12	Stock	26	Front / Right Flush Cup
13	Spacer	27	Front / Left Flush Cup
14	Recoil Pad	28	Sling Swivel Screw



1	Bolt Body	5	Extractor Plug Spring
2	Firing Pin	6	Firing Pin Roll Pin (Front)
3	Extractor	7	Firing Pin Roll Pin (Rear)
4	Extractor plug	8	Firing Pin Spring (Tapered ends Faces Rear of Bolt)

## 15. WARRANTY

Please address your warranty concerns electronically to:

**Info@bergararifles.com**

For USA /Canada:

**contact@bergarausa.com**

Or by mail to:

**Bergara North America**

BPI Outdoors  
1270 Progress Center Ave. Suite 100  
Lawrenceville, GA 30043

For non-US/Canada:

**DIKAR S. Coop**

Ugarte, 26  
20570 Bergara - Gipuzkoa (Spain)

The Bergara BXR rifle is warranted to be free from manufacturers defects for the life of the gun. This warranty is to the original purchaser and is not transferable. This warranty does not cover normal wear and tear, finish of metal or wood, abuse or misuse, damage to property, cost of inconvenience or loss of use.

This warranty gives you certain legal rights and you may have other rights which vary from state to state or country to country. Apart from the assumptions of cancellation of warranty mentioned in the different sections of this manual, below will also void the warranty:

- Unauthorized modifications and/or repairs.
- Rifle returned in neglected conditions (dirty, corroded, etc.).
- Use of improper ammunition (e.g. military ammunition, reloaded ammunition, ammunition un authorized by CIP or SAAMI).
- Damages which result from not following the instructions given in this manual.

The rifle is identified by its serial number on the side of the receiver.

***IMPORTANT: In case of return, make sure that the rifle is unloaded!!***

# **B BERGARA**

INTERNATIONAL CUSTOMER SERVICE::

**BERGARA**

**DIKAR S. Coop**

Ugarte, 26  
20570 Bergara - Gipuzkoa (Spain)

Tel.: +34 943 769 893

info@bergararifles.com

www.bergararifles.com

Facebook: Bergara Rifles Europe

Youtube: bergarainternational

CUSTOMER SERVICE USA/CANADA:

**Bergara North America**

BPI Outdoors  
1270 Progress Center Ave. Suite 100  
Lawrenceville, GA 30043

800 320-8767

www.bergarausa.com

contact@bergarausa.com

Facebook: Bergara USA

Youtube: Bergara US





1. Introducción	22
2. Seguridad en general	23
3. Consideraciones de seguridad para todas las armas	24-25
4. Antes de disparar el rifle	25
5. Carga de munición con cargador extraíble	26
6. Funcionamiento del sistema de cargador extraíble	26
7. Cargar el rifle	27
8. Disparar el rifle	28
9. Montaje de la mira telescópica	29
10. Ajuste del peso del gatillo	29
11. Desmontaje del arma para su limpieza	30-31
12. Limpieza y mantenimiento	31-33
• Cañón	32
• Carcasa (acción) y cerrojo	32-33
• Culata	33
• Gatillo	33
13. Almacenamiento	33
14. Descripción general	34-35
15. Garantía	36

# 1. INTRODUCCIÓN

Gracias por comprar el rifle Bergara BXR.

Esperamos que este rifle cumpla sus expectativas, le sirva para sus fines y le proporcione años de satisfacción.

Lea este manual. Hay muchas características con las que se debe familiarizar el usuario para utilizar el arma de manera segura.

*El futuro de los deportes de tiro depende de usted.*

Los accidentes, el mal uso de las armas de fuego, etcétera, se consideran razones para prohibir los deportes de tiro en general y de armas en particular. Sea responsable, busque siempre la seguridad y preste atención a los consejos sobre seguridad de otros compañeros tiradores.

Si después de leer las instrucciones, advertencias y riesgos detallados en este manual usted no está dispuesto a aceptar la responsabilidad que supone manipular y disparar un arma de forma segura, devuelva el arma al lugar donde la compró.

*Deben tenerse en cuenta todas las medidas de seguridad para que la utilización del arma sea segura.*

## 2. SEGURIDAD GENERAL

### 10 Reglas de seguridad para el manejo de su arma

1. Mantener siempre la boca del rifle apuntando en una dirección segura, aunque el rifle esté descargado.
2. Esté seguro de su objetivo y de lo que hay detrás de él antes de apuntar a ningún sitio.
3. Nunca se fíe de la seguridad mecánica de un arma.
4. El arma debe estar descargada hasta el momento de su uso.
5. Use siempre protección ocular y auditiva.
6. El cañón debe estar libre de cualquier tipo de obstrucción antes de la carga y el disparo.
7. Maneje cada arma como si estuviera cargada.
8. Guarde las armas y la munición por separado y en un área cerrada con llave.
9. Evite el consumo de bebidas alcohólicas y drogas antes y durante el uso de un arma.
10. No altere ni modifique su arma. Mantenga su arma revisada con regularidad por un armero competente. Asegúrese de que cada pieza funciona correctamente antes de cada uso.

### 3. CONSIDERACIONES DE SEGURIDAD PARA TODAS LAS ARMAS

- Nunca fume mientras dispara o maneja un arma o material relacionado. Las cenizas o las chispas pueden causar que la pólvora o los cartuchos se quemen, provocando daños personales, incluso la muerte.
- Utilice siempre protección para los ojos. Es posible que salten chispas de la recámara o de la boca del arma cuando utilizamos un rifle.
- Revise siempre el arma antes de usarla para asegurarse de que está en buen estado de funcionamiento. Pruebe el gatillo y el sistema de apertura cuidadosamente antes de la carga. Compruebe que el cañón no esté obstruido. Cualquier obstrucción puede provocar la rotura del cañón, dando lugar a graves daños personales o la muerte.
- Nunca cargue un arma de fuego hasta que esté listo para disparar. Hay que sacar el cartucho al caminar, al trepar árboles o cercas, al pasar el arma de una persona a otra, al saltar una pared o valla, etc.
- Nunca apoye un arma contra la pared, un árbol, un vehículo u otra superficie. La caída de un arma cargada puede provocar un disparo accidental del arma, causando graves lesiones o la muerte.
- Nunca transporte un arma cargada en ningún tipo de vehículo. Se considera que el arma está cargada mientras no se saque el cartucho de la recámara.
- Nunca guarde un arma cargada. El arma debe estar descargada y debemos limpiarla antes de cualquier almacenamiento.
- Nunca cargue un arma sin antes asegurarse de que el cañón está limpio y sin obstrucciones. Si el arma cae al suelo por accidente, compruebe que el cañón no haya quedado obstruido.
- Tenga mucho cuidado cuando cace desde una posición elevada. La caída accidental de un arma puede provocar un disparo, que puede causar graves lesiones o la muerte. Asegúrese de que el arma esté descargada antes de subir o bajar de un sitio de caza.
- ¡Nunca se fie de la seguridad mecánica! Los aparatos mecánicos pueden fallar y, de hecho, lo hacen. Las armas siempre deben manipularse como si estuvieran cargadas y listas para disparar, independientemente de la posición o la condición del seguro mecánico.
- Utilice siempre procedimientos de limpieza adecuados. Disparar un cañón con mal mantenimiento o con corrosión puede dar lugar a condiciones de presión peligrosas y/o hacer que el cañón explote causando lesiones graves o la muerte.

### 3. CONSIDERACIONES DE SEGURIDAD PARA TODAS LAS ARMAS

- Nunca apunte el cañón hacia algo que usted no quiera dañar. Al llevar el arma en el hombro asegúrese que la boca del cañón esté mirando hacia arriba.
- No trate de modificar las partes internas de su arma. Si lo hace puede provocar una situación peligrosa causando un disparo accidental del arma que provoque graves lesiones o la muerte. Estas alteraciones, en general, anulan la garantía.
- No deje el arma sin vigilancia o al alcance de los niños. En algunos países está penado por la ley.

### 4. ANTES DE DISPARAR EL RIFLE

Familiarícese con el rifle. Aprenda cómo funciona y cómo se utiliza sin la munición.

Recomendaciones antes de usar el rifle:

- Compruebe que el rifle esté descargado, es decir, que no haya ninguna vaina en la recámara u obstrucción en el ánima.
- Compruebe que no haya ningún cartucho en el cargador.
- Limpie el ánima del cañón según se indica en el apartado «Limpieza y mantenimiento».
- Limpie el aceite sobrante del área de la carcasa.
- Compruebe el correcto funcionamiento del gatillo accionándolo varias veces sin munición.

**NOTA:** *Un exceso de accionamiento sin munición puede dañar el percutor de los rifles Rimfire, incluido este BXR.*

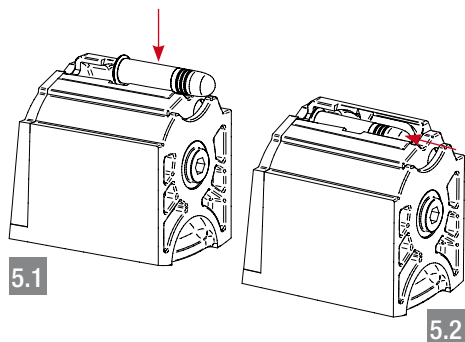
- Una vez realizados los pasos anteriores, puede usted cargar el arma como se indica en el siguiente punto de este manual.

## 5. CARGA DE MUNICIÓN CON CARGADOR EXTRAÍBLE

Cargue el cargador por la apertura superior de la acción con la munición correspondiente. Para ello, empuje el cartucho hacia abajo. (Fig. 5.1) Una vez dentro, deslícelo hacia atrás. (Fig. 5.2).

La capacidad del cargador es de 10 cartuchos.

Si estos pasos no se ejecutan debidamente pueden surgir problemas en el funcionamiento del arma.



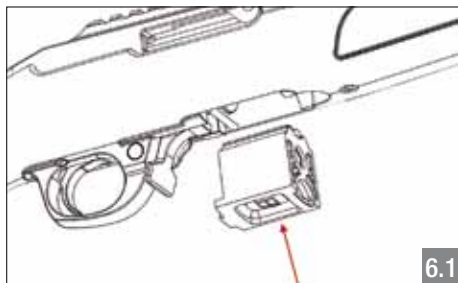
### Consejo de seguridad:

Compruebe dos veces que la munición que está cargando es correcta. El cañón del rifle tiene el calibre marcado en el lateral. Disparar munición de un calibre distinto al marcado en el cañón es muy peligroso y puede causar accidentes muy graves.

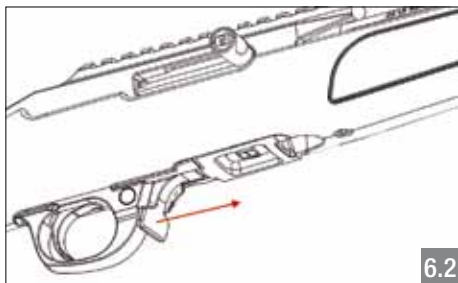
**NO RECOMENDAMOS UTILIZAR MUNICIÓN DE HIPERVELOCIDAD (POR EJEMPLO, STINGER®), YA QUE PUEDE QUE NO ENCAJE ADECUADAMENTE.**

## 6. FUNCIONAMIENTO DEL SISTEMA DE CARGADOR EXTRAÍBLE

Para colocar el cargador, introdúzcalo hasta el fondo de la culata y que el pasador del cargador quede perfectamente enganchado. (Fig. 6.1)



Para liberar el cargador, accione la palanca situada en la parte delantera del guardamonte. (Fig. 6.2)



## 7. CARGAR EL RIFLE

- Compruebe que el pasador de seguridad esté enganchado desplazando el mecanismo de seguridad hacia la derecha o hasta la posición en la que no sea visible una anilla roja. (Fig 7.1)
- Mueva hacia atrás la palanca del cerrojo y asegúrese de que el arma no esté cargada. Compruebe que nada obstruye el ánima.
- Bloquee el cerrojo en posición hacia atrás utilizando el mecanismo de bloqueo del cerrojo. (Fig 7.2)
- Introduzca firmemente el cargador en el arma hasta que quede enganchado. (Fig 7.3)

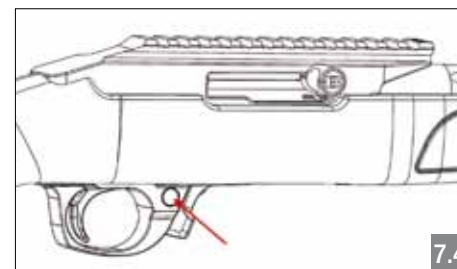
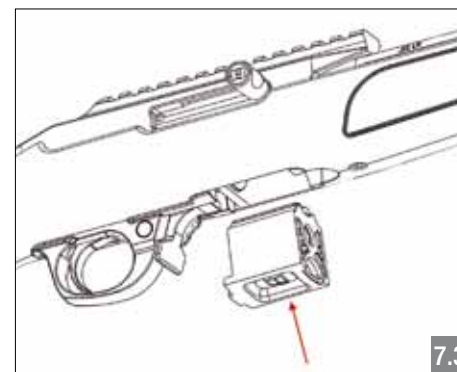
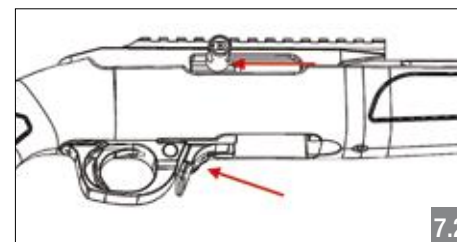
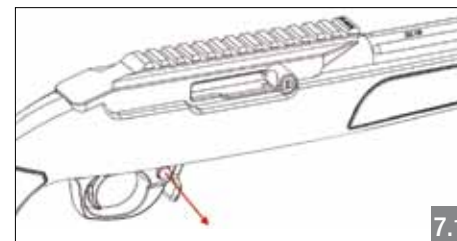
**NOTA:** El cargador solo quedará enganchado si está debidamente orientado.

- Mueva hacia atrás la palanca para liberar el cerrojo. A continuación, suelte la palanca dejando que el cerrojo se cierre libremente debido a la tensión del muelle.
- Se considera que el rifle ya está cargado.

### Consejo de seguridad:

No toque el gatillo durante el proceso de carga. Esto puede ser poco seguro y dar lugar a un disparo accidental.

- Cuando esté listo para disparar, quite el seguro (la palanca hacia la izquierda) y tire del gatillo con suavidad. (Fig. 7.4)



## 8. DISPARAR EL RIFLE

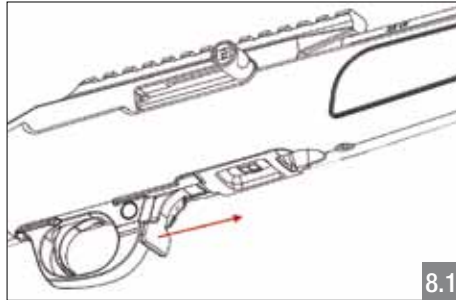
### Consejo de seguridad

*Si al apretar el gatillo en un arma cargada el rifle no dispara, apunte el rifle a una dirección segura y espere 30 segundos antes de abrir el cerrojo. El cerrojo debe ser abierto con mucha precaución.*

- Una vez efectuado el disparo, el rifle procederá automáticamente a cargarse y amartillarse. Este proceso se repetirá hasta que haya pasado por el cargador toda la munición.

**NOTA:** El cerrojo no se bloquea en posición de apertura una vez disparada la última munición.

- Para descargar el BXR, mueva el cerrojo hacia atrás y bloquéelo abierto. Saque el cargador extraíble tirando hacia delante de su palanca de liberación. (Fig. 8.1)
- Compruebe que no haya ningún cartucho en la recámara.



### Consejo de seguridad:

*Si se sospecha que se ha utilizado un cartucho defectuoso y que la bala no ha salido del cañón, proceda a quitar el cerrojo y comprobarlo. No intente extraer la bala atascada con otro disparo posterior porque la presión creada puede destruir el arma hiriendo al tirador. Intentar extraer la bala con una varilla de limpieza u otra varilla metálica puede provocar serios daños en el ánima. Lleve el rifle a un armero cualificado o contacte con el Servicio de Asistencia Técnica de Bergara.*

## 9. MONTAJE DE LA MIRA TELESCÓPICA

El rifle BXR dispone de un raíl 30 MOA Picatinny integrado en la carcasa (Fig 9.1).

Utilice anillas adecuadas en altura para que el cañón quede despejado.

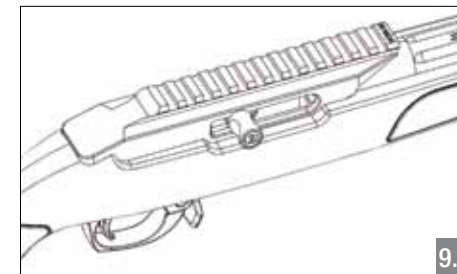
Al instalar la anilla de mira, se recomienda utilizar un producto de bloqueo de rosca similar a

Loctite® 242. Esto evitará que la mira se afloje en el retroceso con el paso del tiempo.

Para instalar la mira, siga las instrucciones facilitadas por el fabricante de miras.

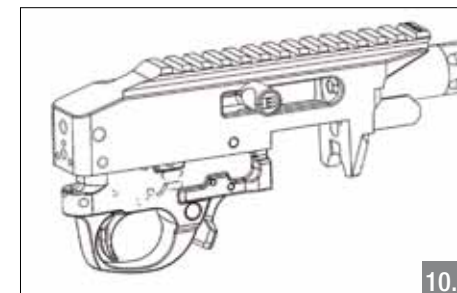
### Consejo de seguridad:

*Para disparar, use siempre protección ocular. No instale la mira demasiado cerca del ojo. Debido al retroceso la mira puede golpear la cara del tirador y lesionarle. Como consejo práctico, comprobar que el puño del tirador cabe entre el ojo y la mira telescópica. Si la distancia ocular de las miras es demasiado corta, muévela hacia delante o cámbiela por una con mayor distancia ocular.*



## 10. AJUSTE DEL PESO DEL GATILLO

El rifle BXR no dispone de mecanismo de gatillo ajustable. El peso del gatillo viene predeterminado de fábrica. (Fig 10.1)



### Consejos de seguridad:

*En el mercado de recambios están disponibles diversos gatillos 10/22 compatibles con el rifle BXR. Si decide utilizar un gatillo alternativo, sugerimos llevar el rifle y el gatillo alternativo a un armero cualificado para garantizar una instalación y funcionamiento correctos.*

*El gatillo solo debe ajustarse en fábrica. Un gatillo demasiado flojo puede producir un disparo accidental.*

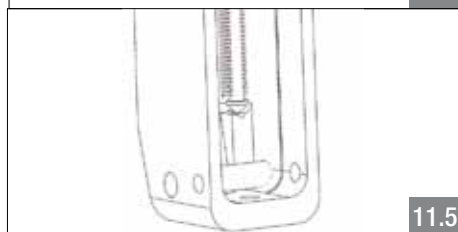
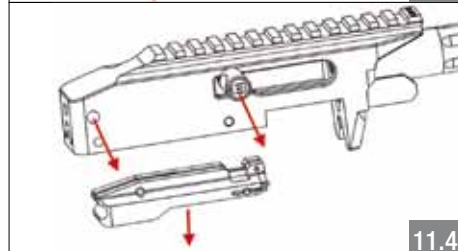
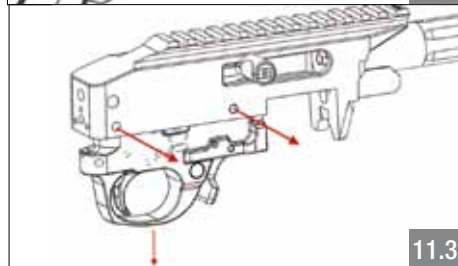
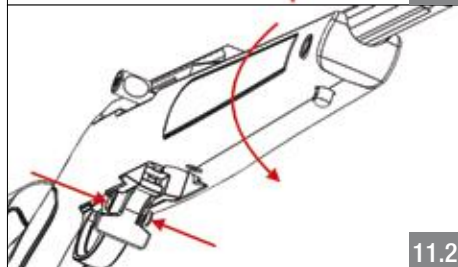
## 11. DESMONTAJE DEL ARMA PARA SU LIMPIEZA

Para desmontar el arma para su limpieza o inspección, lleve a cabo los siguientes pasos:

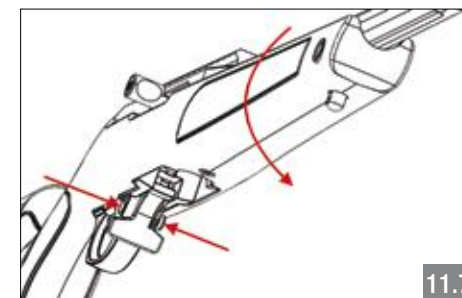
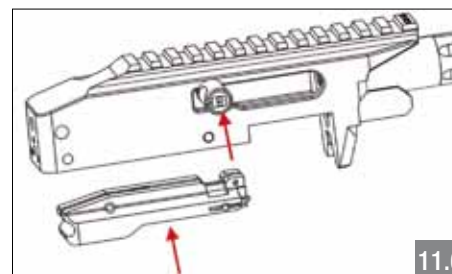
- Descargue el rifle extrayendo el cargador.
- Mueva el cerrojo hacia atrás y compruebe que no haya ningún cartucho en la recámara.
- Afloje el tornillo de la culata. (Fig. 11.1)
- Coloque el seguro en posición central y desmonte la culata. (Fig. 11.2)
- Extraiga los pasadores de protección del gatillo y la unidad de gatillo. (Fig. 11.3)
- Extraiga el pasador buffer de retroceso trasero, sitúe el cerrojo en posición trasera y extráigalo. (Fig. 11.4)

Para volver a montar el arma, siga los pasos siguientes:

- Introduzca en la carcasa la unidad de palanca del cerrojo y muelle de retroceso. El extremo de la varilla guía del muelle de retroceso debe quedar asentado en la posición indicada. (Fig. 11.5)
- Vuelva a colocar la palanca del cerrojo en posición trasera y sitúe el cerrojo sobre esta palanca. (Fig. 11.6)
- Presione para colocar el cerrojo en su posición correcta. La palanca del cerrojo debe quedar situada en la muesca de la parte superior del cerrojo.
- Deje que el cerrojo se desplace hacia delante.



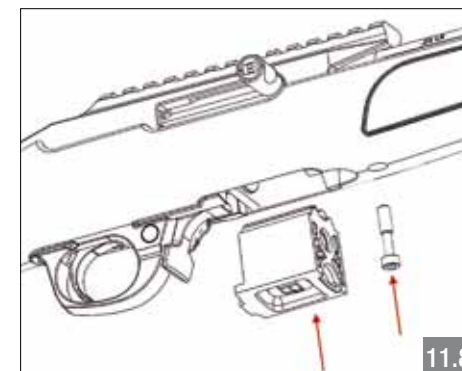
## 11. DESMONTAJE DEL ARMA PARA SU LIMPIEZA



- Introduzca el buffer de retroceso en la carcasa.
- Instale la unidad de gatillo e inserte los dos pasadores de fijación.
- Coloque el seguro en posición central y monte el cañón y la carcasa en la culata. (Fig. 11.7)

**NOTA:** La carcasa debe insertarse un poco más adelante de su posición normal y hacerla retroceder para colocarla en posición.

- Aplique un par de apriete de aproximadamente 35 kgfcm al tornillo de la culata. (Fig. 11.8)



## 12. LIMPIEZA Y MANTENIMIENTO

En general, el BXR es un arma fácil de mantener. En esta sección encontrará toda la información necesaria para mantener el rifle a punto.

Se recomienda limpiar las siguientes piezas con regularidad, sobre todo después de un día de caza o en el campo de tiro (consulte siempre las instrucciones facilitadas por el fabricante de los productos químicos utilizados).

Aconsejamos que limpie su rifle BXR después de las primeras 100 series de disparos y, a partir de ahí, cada 200-300 series.

**NOTA:** La supresión de los disparos aumentará la contrapresión, así como la acumulación de suciedad en el área del cerrojo y la carcasa. Si el rifle comienza a fallar en el ciclo o en el disparo mientras se está conteniendo el disparo, limpie a fondo las áreas de la carcasa, el cerrojo y la recámara.



## 12. LIMPIEZA Y MANTENIMIENTO

### Cañón

La alta calidad del cañón de su rifle Bergara necesita el cuidado adecuado para mantener la precisión. Debería seguir los siguientes consejos:

- El sentido de limpieza correcto es desde la recámara hasta la punta del cañón. Limpiar el cañón en el sentido contrario puede provocar un desgaste excesivo en la boca del cañón. Esto afectaría permanentemente a la precisión del rifle. Se facilita un orificio de acceso en la parte trasera de la carcasa para introducir la varilla de limpieza en el cañón. Desmonte el rifle para su limpieza siguiendo las instrucciones que encontrará en la sección 9.
- Si es posible, utilice una varilla de limpieza de una sola pieza de calidad para evitar dañar el ánima.
- Utilice productos de limpieza adecuados para ayudar a alargar la vida del cañón.
- Pase un parche seco (un cuadrado de tela) del tamaño apropiado a lo largo del cañón. Esto expulsará cualquier suciedad suelta.
- Posteriormente pase un parche mojado con disolvente por el ánima hasta eliminar la grasa y la suciedad del ánima y de la recámara.

**NOTA:** Le aconsejamos que siga las instrucciones de uso del fabricante.

- Intente evitar que se acumule demasiado cobre en el ánima. Estas acumulaciones reducirán la precisión de manera importante.

**IMPORTANTE:** Puede que tenga problemas con la extracción si no se utiliza disolvente para eliminar la suciedad en la boca de la culata del cañón incluyendo la ranura del extractor.

- Se recomienda el uso de un cepillo de alta calidad para limpiar el ánima. No use cepillos de acero inoxidable.
- Después de limpiar el ánima, aplique un parche (un cuadrado de tela) empapado con aceite para armas para evitar la oxidación. Pase un parche seco antes de disparar para retirar el aceite y no dañar el ánima.

**IMPORTANTE:** Le aconsejamos aplicar una ligera capa de aceite en el interior del cañón y las superficies exteriores de metal del arma tras la limpieza. Antes de realizar cualquier disparo, pase un parche seco por el cañón para eliminar el exceso de aceite. Los restos de aceite dentro del cañón en el momento del disparo pueden causar una presión excesiva.

- Revise periódicamente que la boca del cañón (*crowning*) no esté dañada, ya que afecta seriamente a la precisión.

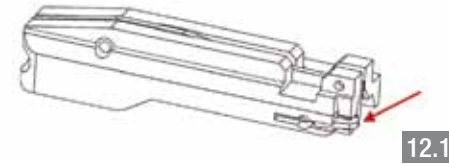
### Carcasa (Acción) y Cerrojo

- Limpie el cerrojo completo y el interior de la carcasa con un paño impregnado de un producto de limpieza para armas adecuado para eliminar los residuos.
- Con un cepillo, limpie la cara del cerrojo y el extractor. Limpie también el área expuesta

## 12. LIMPIEZA Y MANTENIMIENTO

del mecanismo de disparo y los tetones del cabezal del cerrojo.

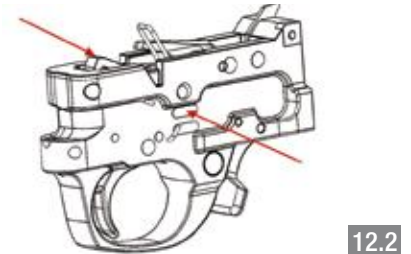
- Hay que lubricar el cuerpo y la palanca del cerrojo. Periódicamente se deberá echar una gota de aceite adecuado en el expulsor y el extractor. (Fig. 12.1)



- Hay que lubricar el cuerpo y la palanca del cerrojo. Periódicamente se deberá echar una gota de aceite adecuado en el expulsor y el extractor.

### Culata

- Se puede utilizar una brocha fina para eliminar el polvo del exterior.
- La culata sintética se puede limpiar fácilmente con un paño de microfibra humedecido.



- Evite el uso en la culata de disolventes y otros productos químicos para armas. Algunos productos químicos pueden afectar a la pintura.

**NOTA:** Evite usar repelentes de insectos que contengan DEET, ya que puede deteriorar el acabado de la culata.

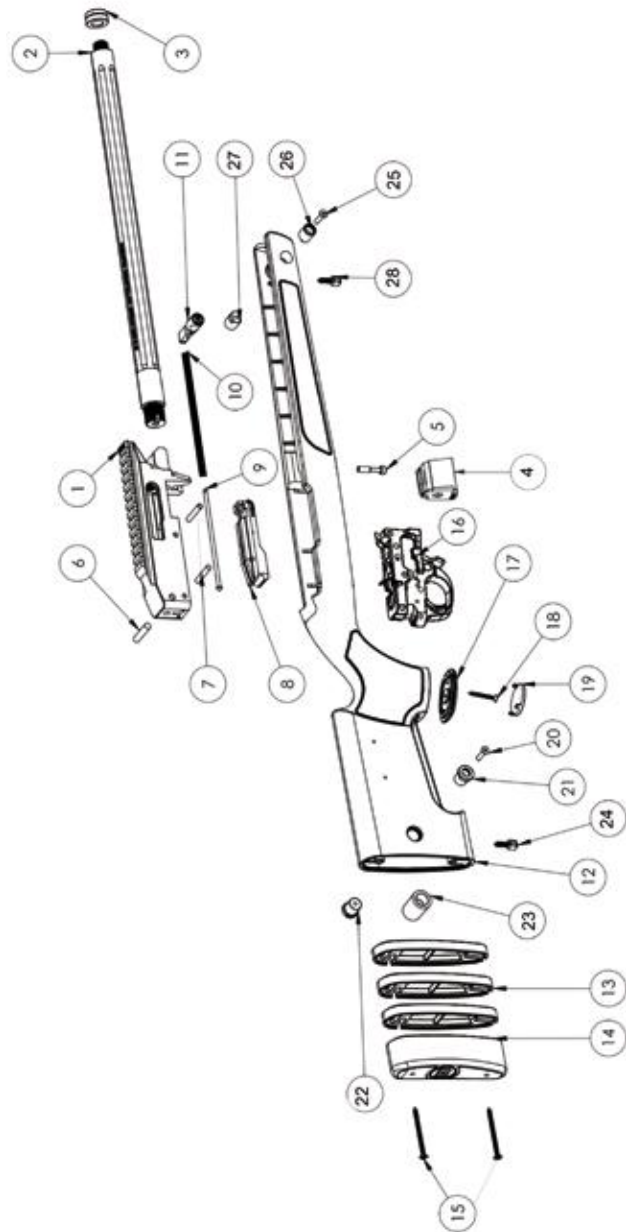
### Gatillo

- Se debe lubricar periódicamente el disparador para una adecuada conservación del mismo. (Fig 13.2)
- Se recomienda rociar con un lubricante líquido fino

## 13. ALMACENAMIENTO

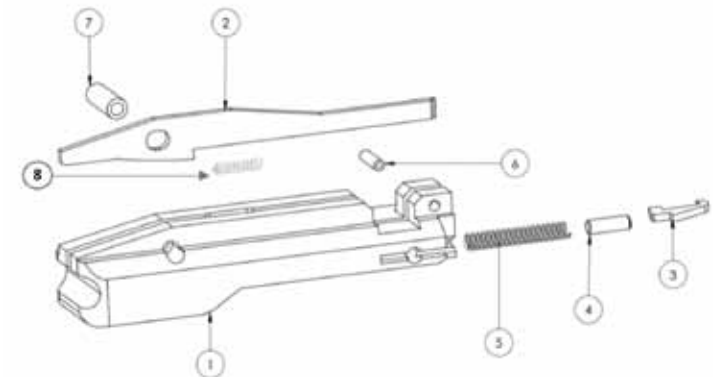
- Guarde el arma en una caja fuerte, incluyendo algún método para reducir la humedad relativa dentro de la misma.
- De vez en cuando, retire el arma de su lugar de almacenamiento y límpiela.
- Siga las normas legales de almacenamiento de armas.
- Si va a tener el arma durante un tiempo prolongado en el armero guárdela sin amartillar, con el muelle del percutor en posición de descanso, que no esté comprimido.
- Las superficies metálicas deben estar siempre recubiertas por una finísima película de aceite con el fin de protegerlas contra la corrosión.

## 14. DESCRIPCIÓN GENERAL



## 14. DESCRIPCIÓN GENERAL

ITEM N°	DESCRIPCIÓN	ITEM N°	DESCRIPCIÓN
1	Carcasa	15	Tirafondo de la cantonera
2	Cañón	16	Unidad del gatillo
3	Cubre rosca	17	Capuchón de agarre
4	Cargador	18	Tornillo fijación capuchón de agarre
5	Tornillo culata	19	Tapa del capuchón de agarre
6	Pasador buffer	20	Tornillo anilla portacorrea
7	Pasadores gatillo	21	Anilla portacorrea posterior / derecha
8	Cerrojo	22	Anilla portacorrea posterior (izquierda)
9	Guía muelle retroceso	23	Casquillo culata
10	Muelle retroceso	24	Anilla portacorrea
11	Palanca cerrojo	25	Tornillo anilla portacorrea
12	Culata	26	Anilla portacorrea delantera / derecha
13	Separador	27	Anilla portacorrea delantera / izquierda
14	Cantonera	28	Tornillo rótulo de la portacorrea



1	Cuerpo del cerrojo	5	Muelle tapón extractor
2	Percutor	6	Clavija percutor (delantera)
3	Extractor	7	Clavija percutor (trasera)
4	Tapón extractor	8	Muelle percutor (extremos cónicos superficies traseras de cerrojo)

## 15. GARANTÍA

Por favor, dirija sus dudas acerca de la garantía por correo electrónico a:

**Info@bergararifles.com**

Para EE. UU.:

**contact@bergarausa.com**

O por correo postal a:

**Bergara North America**

BPI Outdoors  
1270 Progress Center Ave. Suite 100  
Lawrenceville, GA 30043

Para fuera de los EE. UU. / Canadá:

**DIKAR S. Coop**

Ugarte, 26  
20570 Bergara - Gipuzkoa (Spain)

El rifle Bergara BXR está garantizado contra cualquier defecto de fabricación de por vida. Esta garantía se otorga al comprador original y no es transferible. Esta garantía no cubre el uso y desgaste normal, el acabado del metal o la madera, el abuso o mal uso, los daños materiales, el coste de los inconvenientes o la falta de uso.

Esta garantía le otorga ciertos derechos legales y usted puede tener otros derechos que varían de un estado a otro o de un país a otro. Aparte de los supuestos de anulación de garantía recogidos en los diferentes apartados de este manual, la garantía no tiene validez si:

- Se han realizado reparaciones o modificaciones no autorizadas.
- El rifle es devuelto en condiciones descuidadas (sucio, con corrosión, etc.).
- Se ha utilizado munición inadecuada (por ejemplo: munición militar, recargada o no autorizada por el CIP o SAAMI).
- Se han producido daños como consecuencia de no haber respetado las instrucciones dadas en este manual.

El rifle viene identificado con su número de serie en el lateral de la carcasa.

**IMPORTANTE: ¡En caso de devolución, asegúrese de que el arma esté descargada!**

# B BERGARA

SERVICIO INTERNACIONAL DE ASISTENCIA TÉCNICA (SAT):

BERGARA

**DIKAR S. Coop**

Ugarte, 26  
20570 Bergara - Gipuzkoa (Spain)  
Tel.: +34 943 769 893  
info@bergararifles.com  
www.bergararifles.com  
Facebook: Bergara Rifles Europe  
Youtube: bergarainternational

SERVICIO DE ASISTENCIA TÉCNICA EE. UU. / CANADÁ:

**Bergara North America**

BPI Outdoors  
1270 Progress Center Ave. Suite 100  
Lawrenceville, GA 30043  
800 320-8767  
www.bergarausa.com  
contact@bergarausa.com  
Facebook: Bergara USA  
Youtube: Bergara US





1. Einleitung	40
2. Allgemeine Sicherheit	41
3. Sicherheitserwägungen für alle Waffen	42-43
4. Vor dem schussgebrauch der büchse	43
5. Laden der Munition mit entnehmbarem Magazin	44
6. Funktionsweise des abnehmbaren magazinsystems	44
7. Laden der büchse	45
8. Schussgebrauch der büchse	46
9. Aufsetzen des zielfernrohrs	46-47
10. Einstellung des abzugsgewichtes	48-49
11. Zerlegung	49
12. Reinigung und Wartung	49-51
• Lauf	50
• Verschlussgehäuse und verschluss	50-51
• Schaft	51
• Abzug	51
13. Aufbewahrung	51
14. Allgemeine beschreibung	52-53
16. Garantie	54

# 1. EINLEITUNG

Vielen Dank für den Kauf der Selbstladebüchse BXR.

Wir hoffen, dass diese Schusswaffe Ihren Erwartungen entspricht, Ihnen wie gedacht dient und Ihnen Jahre der Zufriedenheit gibt.

Bitte lesen Sie dieses Handbuch. Es gibt viele Funktionen, mit denen sich der Benutzer vertraut machen muss, um diese Schusswaffe sicher zu benutzen.

*Die Zukunft des Schießsports liegt in Ihren Händen.*

Unfälle, Missbrauch von Schusswaffe, usw. werden als Gründe für ein Verbot des Schießsports im Allgemeinen und insbesondere Schusswaffen dargelegt. Bitte seien Sie verantwortungsbewusst, fördern Sie die Sicherheit und hören Sie auf Sicherheitshinweise anderer Schützenkollegen.

Wenn Sie nach dem Lesen der in diesem Handbuch beschriebenen Anleitung, Warnungen und Risiken nicht bereit sind die Verantwortung beim sicheren Umgang und Schießen einer Schusswaffe zu übernehmen, bringen Sie die Büchse bitte dorthin zurück, wo Sie sie gekauft haben.

*Alle Sicherheitsmaßnahmen für eine sichere Nutzung einer Schusswaffe sollten berücksichtigt werden.*

## 2. ALLGEMEINE SICHERHEIT

### 10 Sicherheitsregeln für die Handhabung Ihrer Schusswaffe

1. Richten Sie die Mündung immer in eine sichere Richtung, selbst wenn die Büchse nicht geladen ist.
2. Seien Sie sich Ihres Zieles und dessen was sich dahinter befindet sicher, bevor Sie auf etwas zielen.
3. Vertrauen Sie niemals der mechanischen Sicherung einer Schusswaffe.
4. Die Schusswaffe darf bis zum Zeitpunkt der Nutzung nicht geladen sein.
5. Nutzen Sie immer Augen- und Ohrenschutz.
6. Der Lauf muss vor dem Laden und Abfeuern frei von jedem Fremdkörper sein.
7. Handhaben Sie jede Schusswaffe so, als wäre sie geladen.
8. Bewahren Sie Schusswaffen und Munition getrennt voneinander in einem geschlossenen, verriegelten Bereich.
9. Vermeiden Sie den Genuss von Alkohol und Drogen vor und während der Nutzung einer Schusswaffe.
10. Verändern oder modifizieren Sie Ihre Schusswaffe nicht. Stellen Sie sicher, dass Ihre Schusswaffe regelmäßig von einem fähigen Büchsenmacher gewartet wird. Achten Sie vor jeder Nutzung darauf, dass alle Teile richtig funktionieren.

### 3. SICHERHEITSHINWEISE FÜR ALLE SCHUSSWAFFEN

- Rauchen Sie niemals während des Abfeuerns oder beim Umgang mit einer Schusswaffe oder damit verbundenem Material. Asche oder Funken können das Schießpulver oder die Patronen entzünden, was zu Verletzungen oder zum Tod führen kann.
- Verwenden Sie immer eine Schutzbrille. Es ist möglich, dass beim Abfeuern einer Schusswaffe Funken aus dem Verschluss oder der Mündung fliegen können.
- Überprüfen Sie die Büchse immer vor der Verwendung, um sicherzustellen, dass sie in einwandfreiem Zustand ist. Überprüfen Sie den Abzug und das Entriegelungssystem sorgfältig vor dem Laden. Stellen Sie sicher, dass der Lauf nicht blockiert ist. Jede Blockierung kann einen Bruch des Laufs verursachen und zu schweren Verletzungen oder zum Tod führen.
- Laden Sie niemals eine Schusswaffe bevor Sie bereit sind zu schießen. Beim Gehen, Klettern auf Bäume oder über Zäune, Weitergeben der Waffe von einer Person zur anderen, Überspringen einer Mauer oder eines Zauns usw. sind die Patronen zu entnehmen.
- Lehnen Sie eine Schusswaffe niemals gegen eine Mauer, einen Baum, ein Fahrzeug oder jegliche andere Oberfläche. Wenn eine geladene Schusswaffe fällt, kann sich versehentlich ein Schuss lösen, was zu schweren Verletzungen oder zum Tod führen kann.
- Transportieren Sie niemals eine geladene Schusswaffe in Fahrzeugen jeglicher Art. Die Feuerwaffe gilt als geladen, solange sich eine Patrone in der Kammer befindet.
- Lagern Sie niemals eine geladene Schusswaffe. Die Schusswaffe muss vor jeglicher Art von Lagerung entladen und gereinigt werden.
- Laden Sie niemals eine Schusswaffe, ohne sich vorher zu vergewissern, dass der Lauf sauber und nicht blockiert ist. Wenn die Schusswaffe versehentlich zu Boden gefallen ist, vergewissern Sie sich, dass der Lauf nicht blockiert wurde.
- Seien Sie sehr vorsichtig, wenn Sie von einer erhöhten Position aus jagen. Wenn eine geladene Schusswaffe fällt, könnte die Schusswaffe abgefeuert werden, was zu schweren Verletzungen oder zum Tod führen kann. Stellen Sie sicher, dass die Schusswaffe entladen ist, bevor Sie auf einen Stand hinaufsteigen oder von diesem hinabsteigen.
- Vertrauen Sie niemals der mechanischen Sicherung! Mechanische Bauteile können versagen. Schusswaffen müssen immer so gehandhabt werden, als wären sie geladen und schussbereit, unabhängig von der Position oder des mechanischen Zustands der Sicherung.

### 3. SICHERHEITSHINWEISE FÜR ALLE SCHUSSWAFFEN

- Befolgen Sie immer die entsprechenden Reinigungsverfahren. Das Abfeuern einer schlecht gewarteten oder korrodierten Schusswaffe kann zu gefährlichem Druck und/oder dazu führen, dass der Lauf explodiert, was zu schlimmen Verletzungen oder zum Tod führen kann.
- Richten Sie den Lauf niemals auf Objekte, die nicht beschädigt werden sollen. Wenn Sie die Schusswaffe auf der Schulter tragen, stellen Sie sicher, dass der Lauf nach oben zeigt.
- Versuchen Sie niemals die Innenteile Ihrer Schusswaffe zu modifizieren. Dies kann zu gefährlichen Situationen führen, eine versehentliche Entladung der Waffe auslösen und zu schweren Verletzungen oder zum Tod führen. Diese Veränderungen führen in der Regel zum Verlust der Garantie.
- Lassen Sie niemals die Feuerwaffe unbeaufsichtigt in der Reichweite von Kindern. In einigen Ländern ist dies strafbar.

### 4. VOR DEM SCHUSSGEBRAUCH DER BÜCHSE

Machen Sie sich selbst mit der Büchse vertraut. Lernen Sie, wie sie funktioniert und wie sie ohne Munition zu verwenden ist.

Empfehlungen vor dem Gebrauch der Büchse:

- Stellen Sie sicher, dass die Büchse nicht geladen ist, d. h. dass sich keine Hülse in der Kammer und keine Verstopfung im Lauf befindet.
- Stellen Sie sicher, dass sich keine Patronen im Magazin befindet.
- Reinigen Sie die das Laufinnere, wie im Abschnitt „*Reinigung und Wartung*“ beschrieben.
- Wischen Sie überschüssiges Öl vom Verschlussbereich ab.
- Überprüfen Sie den Abzug durch mehrmaliges Trockenschießen.

**HINWEIS:** *Übermäßiges Trockenschießen kann den Schlagbolzen von Randfeuerwaffen, wie z. B. dieser BXR, beschädigen.*

- Nachdem Sie die obigen Schritte durchgeführt haben, können Sie die Schusswaffe, wie in dem folgenden Abschnitt dieses Handbuchs erklärt, laden.

## 5. LADEN DER MUNITION MIT ENTNEHMBAREM MAGAZIN

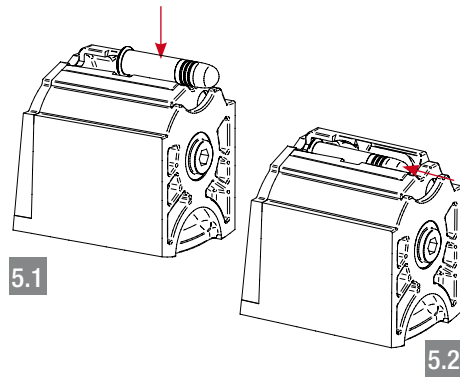
Die BXR ist wie folgt zu verwenden:

Laden Sie das Magazin von oben mit der entsprechenden Munition.

Drücken Sie die Patrone nach unten (Abb. 5.1) und schieben Sie sie, sobald sie an der Vorderseite des Magazins anliegt, zurück. (Abb. 5.2)

Das Magazin besitzt eine Kapazität für 10 Patronen.

Bei Nichtbeachtung dieser Schritte können Fehlfunktionen auftreten.

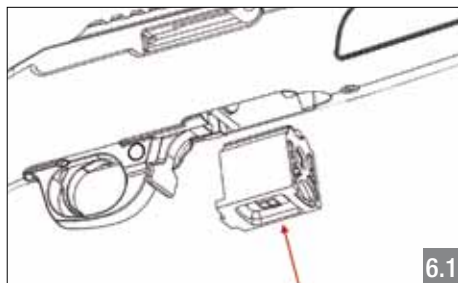


### Sicherheitshinweise:

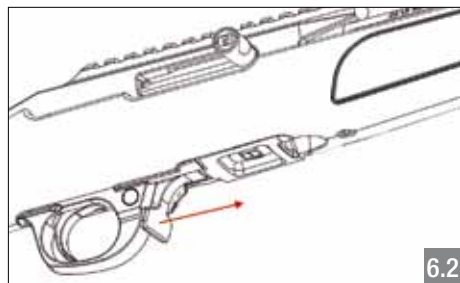
Vergewissern Sie sich immer zweifach, dass die Munition des richtigen Typs geladen wird. Auf dem Lauf der Büchse ist das Kaliber an der Seite angegeben. Verschießen von Munition eines anderen als dem auf dem Lauf angegebenen Kaliber ist sehr gefährlich und kann zu sehr schweren Unfällen führen. WIR EMPFEHLEN, KEINE HOCHGESCHWINDIGKEITSMUNITION, WIE Z. B. STINGER®-MUNITION, ZU VERWENDEN, DA DIESE MÖGLICHERWEISE NICHT RICHTIG GELADEN WERDEN KANN.

## 6. FUNKTIONSWEISE DES ABNEHMBAREN MAGAZINSYSTEMS

Zum Einsetzen des Magazins führen Sie es vollständig in den Schaft ein, bis es bündig sitzt und die Magazinsperre vollständig eingerastet ist. (Fig. 6.1)



Um das Magazin zu lösen, drücken Sie den Hebel, der sich an der Vorderseite des Abzugsbügels befindet. (Fig. 6.2)



## 7. LADEN DER BÜCHSE

- Vergewissern Sie sich, dass die Sicherung eingerastet ist, indem Sie den Sicherungsmechanismus in die rechte Position, in der kein roter Ring sichtbar ist, schieben. (Fig 7.1)
- Stellen Sie den Verschlusshebel in die hintere Position und vergewissern Sie sich, dass die Schusswaffe nicht geladen ist. Überprüfen Sie, dass nichts den Lauf blockiert.
- Verriegeln Sie den Bolzen in der hinteren Position mit der Bolzenverriegelung. (Fig 7.2)
- Schieben Sie das Magazin fest in die Schusswaffe ein, bis es einrastet. (Fig 7.3)

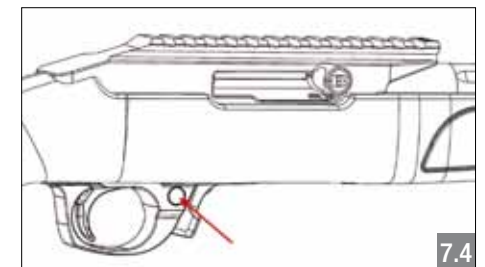
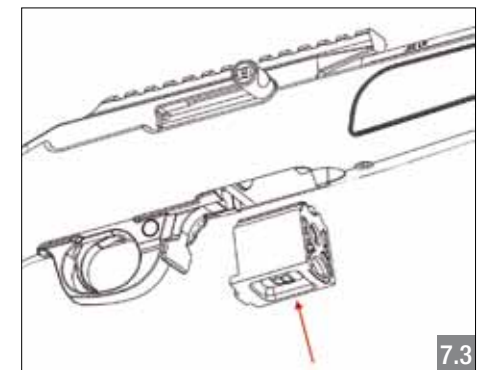
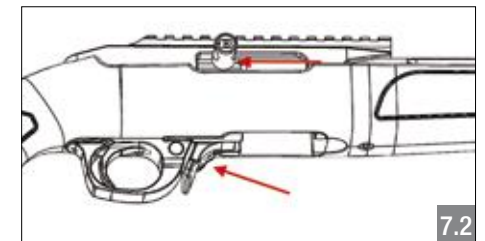
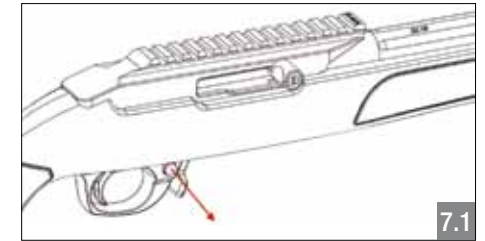
**HINWEIS:** Das Magazin kann nur in der richtigen Position eingerastet werden

- Ziehen Sie den Verschlusshebel nach hinten, um die Verriegelung zu lösen. Lassen Sie dann den Verschlusshebel los, sodass der Verschluss unter Federspannung frei schließen kann.
- Die Büchse ist nun als geladen zu betrachten.

### Sicherheitshinweise:

Berühren Sie während des Magazinladevorgangs nicht den Abzug. Dies ist unsicher und kann zum versehentlichen Abfeuern führen.

- Wenn Sie schussbereit sind, entschichern Sie die Waffe (Sicherung nach links schieben) und ziehen Sie vorsichtig den Abzug. (Fig. 7.4)



## 8. SCHUSSGEBRAUCH DER BÜCHSE

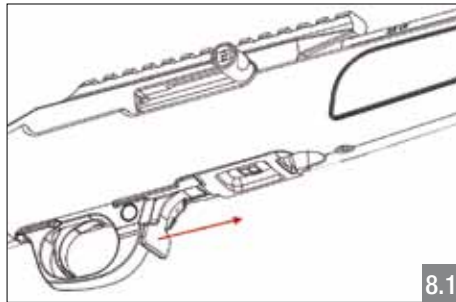
### **Sicherheitshinweise:**

Wenn beim Betätigen des Abzugs einer geladenen Schusswaffe die Patrone nicht abgefeuert wird, richten Sie das Gewehr in eine sichere Richtung und warten Sie 30 Sekunden, bevor Sie den Verschluss öffnen. Der Verschluss muss mit äußerster Vorsicht geöffnet werden.

- Nach dem Abfeuern lädt die Büchse automatisch nach und spannt den Hahn erneut. Dieser Vorgang wird so lange wiederholt, bis alle Patronen aus dem Magazin abgefeuert worden sind.

**HINWEIS:** Der Verschluss verriegelt nicht in der offenen Position, nachdem der letzte Schuss abgefeuert wurde.

- Zum Entladen der BXR stellen Sie den Verschluss in die hintere Position und sperren Sie den Verschluss mit der Bolzensicherung auf. Entfernen Sie das herausnehmbare Magazin, indem Sie den Magazinauslösehebel nach vorne ziehen oder drücken. (Fig. 8.1)
- Vergewissern Sie sich, dass keine Patrone in der Patronenkammer verbleibt.



### **Sicherheitshinweise:**

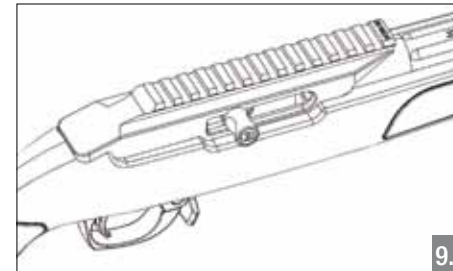
Wenn Sie den Verdacht haben, dass eine Patrone defekt ist und das Geschoss den Lauf nicht verlassen haben könnte, entfernen Sie den Verschluss und kontrollieren Sie es. Versuchen Sie nicht die feststeckende Kugel durch Abgabe eines weiteren Schusses zu entfernen, da der entstehende Druck die Schusswaffe zerstören und den Schützen verletzen kann. Der Versuch, das Geschoss mit einem Putzstock oder einer anderen Metallstange herauszupressen, kann den Lauf stark beschädigen. Bringen Sie die Büchse zu einem qualifizierten Büchsenmacher oder kontaktieren Sie den Bergara Kundensupport.

## 9. AUFSETZEN DES ZIELFERNROHRS

Die BXR besitzt eine im Verschlussgehäuse integrierte Schiene 30 MOA Picatinny. (Fig 9.1)

Verwenden Sie Ringe mit ausreichender Höhe, damit das Zielfernrohr den Lauf freilässt.

## 9. AUFSETZEN DES ZIELFERNROHRS



Wenn Sie den Zielfernrohr ring montieren, empfehlen wir die Verwendung eines Schraubensicherungsmittels wie z. B. Loctite® 242 oder ähnlich. Dies verhindert ein Lösen des Zielfernrohrs im Laufe der Zeit aufgrund des Rückschlags.

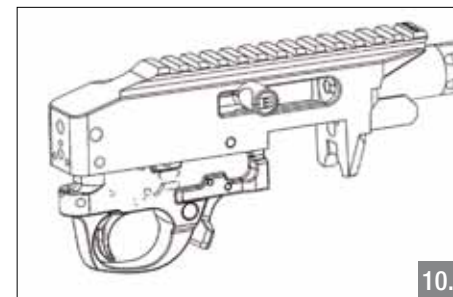
Um das Zielfernrohr zu montieren, befolgen Sie die Anweisungen des Zielfernrohr-Herstellers.

### **Sicherheitshinweise:**

Tragen Sie beim Schießen immer eine Schutzbrille. Installieren Sie das Zielfernrohr nicht mit zu geringem Abstand zu Ihren Augen. Durch den Rückschlag kann das Zielfernrohr ins Gesicht des Schützen schlagen und zu Verletzungen führen. Als praktischer Hinweis, überprüfen Sie, ob Ihre Faust zwischen Ihr Auge und das Zielfernrohr passt. Wenn der Augenabstand zu kurz ist, verschieben Sie das Zielfernrohr nach vorne oder tauschen Sie das Zielfernrohr gegen eines mit größerem Augenabstand aus.

## 10. EINSTELLUNG DES ABZUGSGEWICHTES

Die BXR verfügt nicht über einen einstellbaren Abzugsmechanismus. Der Abzug ist werksseitig voreingestellt. (Fig 10.1)



### **Sicherheitshinweise:**

Eine Vielzahl von nachträglich erhältlichen 10/22-Abzugssystemen ist mit der BXR kompatibel. Wenn Sie sich für die Verwendung eines alternativen Abzugssystems entscheiden, empfehlen wir Ihnen, die Büchse und das alternative Abzugssystem zu einem professionellen Büchsenmacher zu bringen, um es zu installieren und die ordnungsgemäße Funktion sicherzustellen. Der Abzug darf nur werksseitig eingestellt werden. Ein zu leicht eingestellter Abzug kann zu versehentlichen Abfeuern führen.



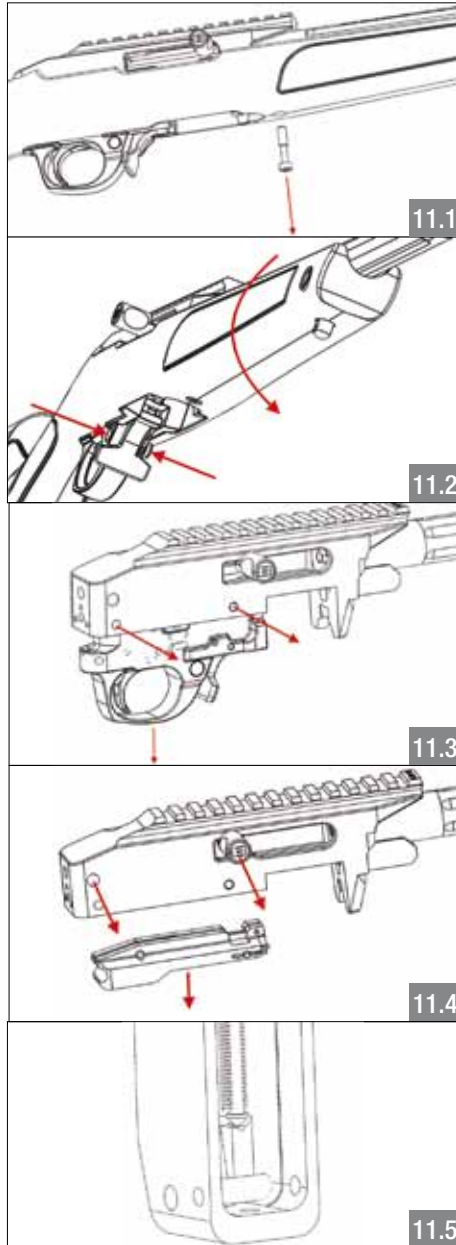
## 11. ZERLEGUNG

Um die Waffe zur Reinigung oder Inspektion zu zerlegen, führen Sie die unten aufgeführten Schritte aus:

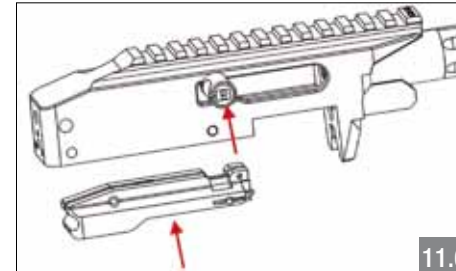
- Entladen Sie die Büchse, indem Sie das abnehmbare Magazin entfernen.
- Stellen Sie den Verschluss in die hintere Position und vergewissern Sie sich, dass sich keine Patrone in der Kammer befindet.
- Lösen Sie die Schaftschraube. (Fig. 11.1)
- Stellen Sie die Sicherung in die mittlere Position und entfernen Sie den Schaft. (Fig. 11.2)
- Entfernen Sie die Abzugsbügelbolzen und nehmen Sie die Abzugseinheit ab. (Fig. 11.3)
- Entfernen Sie den hinteren Rückstoßdämpferstift, bewegen und halten Sie den Bolzen in die hintere Position und nehmen Sie den Bolzen heraus. (Fig. 11.4)

Um die zerlegte Büchse wieder zusammenzubauen, gehen Sie wie folgt vor:

- Setzen Sie den Verschlusshebel und die Rückstoßfeder in das Gehäuse ein. Das Ende der Rückstoßfederführungsstange sollte in der abgebildeten Position sitzen. (Fig. 11.5)
- Ziehen Sie den Verschlusshebel vollständig in die hintere Position zurück und platzieren Sie den Verschluss über den Verschlusshebel. (Fig. 11.6)
- Drücken Sie den Bolzen in seine Position. Der Verschlusshebel sollte in der Kerbe auf der Oberseite des Bolzens sitzen.

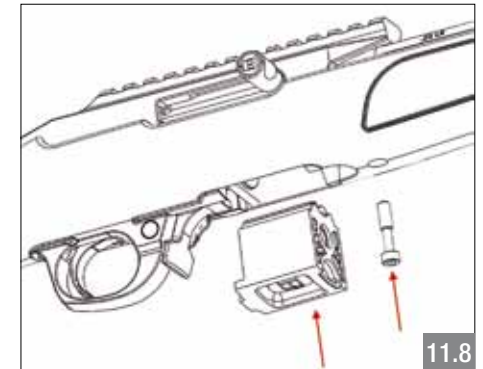
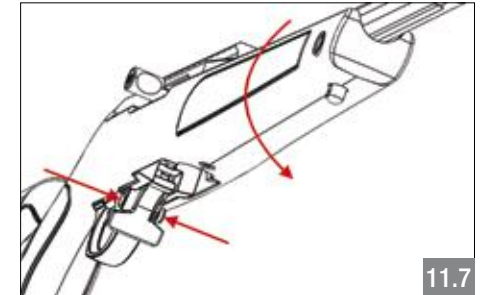


## 11. ZERLEGUNG



- Stellen Sie sicher, dass der Bolzen in die vordere Position bewegt werden kann.
- Setzen Sie den Rückstoßdämpfer in das Verschlussgehäuse ein.
- Montieren Sie die Abzugseinheit und setzen Sie die beiden Sicherungsstifte ein.
- Bringen Sie die Sicherung in eine mittlere Position und montieren Sie den Lauf und das Gehäuse in den Schaft. (Fig. 11.7)

**HINWEIS:** Der Verschluss muss etwas vor seiner normalen Position eingesetzt und beim Einsetzen zurückgeschoben werden.



- Ziehen Sie die Schaftschraube mit einem Drehmoment von ca. 30 inlb an. (Fig. 11.8)

## 12. REINIGUNG UND WARTUNG

Im Allgemeinen ist die Büchse BXR leicht zu warten. In diesem Abschnitt werden Sie alle Informationen finden, die nötig sind, um Ihre Büchse in einem guten Zustand zu halten.

Wie empfehlen Ihnen die folgenden Teile regelmäßig zu reinigen, insbesondere nach einem Jagdtag oder auf dem Schießstand (beziehen Sie sich immer auf die Angaben der Hersteller des genutzten chemischen Produkts). Wir empfehlen, Ihre Büchse BXR nach den ersten 100 Schuss und anschließend alle 200-300 Schuss zu reinigen.

**ANMERKUNG:** Wenn Sie mit Dämpfung schießen, erhöht sich der Gegendruck sowie die Ansammlung von Verschmutzungen im Gehäuse und im Verschlussbereich. Wenn die Büchse beim Schießen mit Schalldämpfer nicht richtig funktioniert, müssen das Gehäuse, der Verschluss und die Patronenkammer gründlich gereinigt werden.

## 12. REINIGUNG UND WARTUNG

### Lauf

Die hohe Qualität des Bergara Büchsenlaufs erfordert die richtige Pflege, um seine Genauigkeit zu erhalten. Die folgenden Hinweise sollten beachtet werden:

- Die richtige Reinigungsrichtung erfolgt von der Kammer zur Mündung. Das Reinigen des Laufs in umgekehrter Richtung kann zu übermäßigem Verschleiß an der Laufmündung führen. Dadurch wird die Genauigkeit der Büchse dauerhaft beeinträchtigt. Für den Durchgang des Putzstocks in den Lauf ist an der Rückseite des Gehäuses eine Zugangsöffnung vorgesehen. Zerlegen Sie die Büchse gemäß den Anweisungen in Abschnitt 11.
  - Verwenden Sie nach Möglichkeit einen hochwertigen, einteiligen Putzstock, um eine Beschädigung des Laufs zu vermeiden.
  - Nutzen Sie geeignete Reinigungsprodukte um die Lebensdauer des Laufs zu verlängern.
  - Führen Sie einen trockenen Flicker geeigneter Größe durch den Lauf. Dadurch werden alle losen Verschmutzungen entfernt.
  - Führen Sie dann einen lösungsmittelbenetzten Flicker durch den Lauf, bis Fett und Schmutz aus dem Lauf und der Kammer entfernt sind.
- HINWEIS:** Es wird empfohlen, die Gebrauchsanweisung des Herstellers zu beachten.
- Versuchen Sie, die Ansammlung von zu viel Kupfer-, Blei- oder Pulverschmutzung im Laufinneren zu vermeiden. Diese Ansammlungen beeinträchtigen die Genauigkeit erheblich.

**WICHTIG:** Wenn kein Lösungsmittel verwendet wird, um Verschmutzungen am Mündungsende des Laufs, einschließlich der Ausziehnut, zu entfernen, kann dies zu Problemen beim Ausziehen führen.

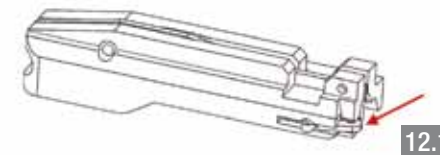
- Verwenden Sie zur Reinigung der Bohrung eine geeignete Bronze- oder Nylonbürste. Verwenden Sie keine Edelstahlbürsten.
  - Nach der Reinigung ziehen Sie einen in Waffenöl getränkten Flicker hindurch, um Rost vorzubeugen. Ziehen Sie ein sauberes Tuch hindurch, um das Öl zu entfernen und den Lauf nicht zu beschädigen.
- WICHTIG:** Wir empfehlen, das Laufinnere und die äußeren Metallflächen der Waffe nach der Reinigung leicht einzuölen. Führen Sie vor dem erneuten Schießen ein trockenes Tuch durch den Lauf, um überschüssiges Öl zu entfernen. Spuren von Öl im Lauf zum Zeitpunkt des Schusses können Überdruck erzeugen.
- Prüfen Sie die Laufmündung regelmäßig auf Schäden, da diese die Genauigkeit erheblich beeinflussen können.

### Verschlussgehäuse und Verschluss

- Reinigen Sie den gesamten Verschluss und das Innere des Verschlussgehäuses mit einem Tuch, das mit einem geeigneten Waffenreinigungsmittel getränkt ist, um Rückstände zu entfernen.
- Reinigen Sie die Stirnfläche des Verschlusses und den Auszieher mit einer Messing- oder Nylonbürste. Reinigen Sie auch den freiliegenden Bereich des Feuermechanismus.

## 12. REINIGUNG UND WARTUNG

- Der Verschlusskörper und der Verschlusshebel müssen geschmiert werden. In regelmäßigen Abständen sollte ein Tropfen eines geeigneten Öls auf den Auszieher (Fig. 12.1) gegeben werden, um einen sehr dünnen Ölfilm zu erzeugen. Zu viel Öl kann jedoch die Funktion des Verschlussmechanismus beeinträchtigen.



- Reinigen Sie den Verschlusshebel und die Rückstoßfedereinheit und fetten Sie sie ein wenig ein.

### Schaft

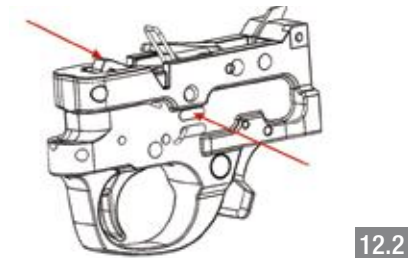
- Eine feine Bürste kann genutzt werden, um Staub von der Außenseite zu entfernen.
- Der synthetische Schaft ist leicht mit einem feuchten Mikrofasertuch zu reinigen.

- Vermeiden Sie die Verwendung von Lösemitteln zur Waffenreinigung und anderen chemischen Substanzen auf dem Schaft. Einige chemische Substanzen können den Lack angreifen.

**HINWEISS:** Vermeiden Sie DEET-haltige Insektenschutzmittel, da diese die Oberfläche des Schaftes angreifen können

### Abzug

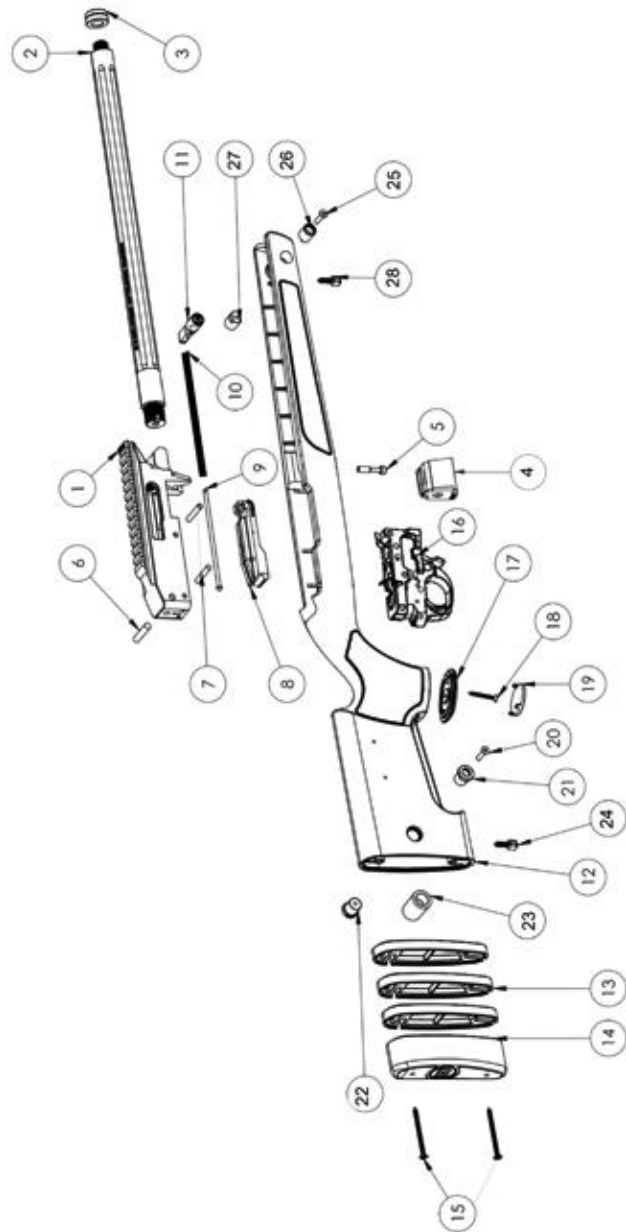
- Der Abzug muss für eine ordnungsgemäße Wartung und Bedienung regelmäßig geschmiert werden. (Fig 13.2)
- Wir empfehlen, ein dünnes flüssiges Schmiermittel aufzusprühen.



## 13. AUFBEWAHRUNG

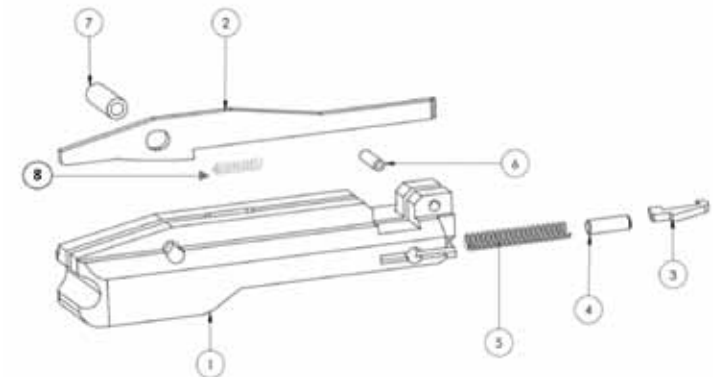
- Bewahren Sie Ihre Schusswaffe in einem Panzerschrank auf, der über eine Methode zur Reduzierung der relativen Luftfeuchtigkeit verfügt.
- Entnehmen Sie die Büchse von Zeit zu Zeit aus ihrem Aufbewahrungsort und reinigen Sie sie.
- Befolgen Sie die gesetzlichen Vorschriften bezüglich der Aufbewahrung von Feuerwaffen.
- Wenn Sie vorhaben Ihre Büchse längere Zeit in einem Gewehrständler abzustellen, lagern Sie sie entspannt, mit der Schlagbolzenfeder in der Ruhestellung, d. h. nicht zusammengepresst.
- Sorgen Sie dafür, dass ein dünner Schutzölfilm auf den Metalloberflächen verbleibt, um sie zusätzlich vor Korrosion zu schützen.

## 14. ALLGEMEINE BESCHREIBUNG



## 14. ALLGEMEINE BESCHREIBUNG

ITEM N.	BESCHREIBUNG	ITEM N.	BESCHREIBUNG
1	Verschlussgehäuse	15	Schaftkappenschrauben
2	Lauf	16	Abzugseinheit
3	Gewindekappe	17	Griffkappe
4	Magazin	18	Griffkappen-Befestigungsschraube
5	Schaftschraube	19	Griffkappenabdeckung
6	Dämpferstift	20	Bündige Ösenaufnahmen
7	Abzugsbolzen	21	Hintere / Rechte Ösenaufnahme
8	Bolzen	22	Hinten / Linke Ösenaufnahme
9	Rückstoßfederführung	23	Schaftbuchse
10	Rückstoßfeder	24	Ösenaufnahme
11	Verschlusshebel	25	Bündige Ösenaufnahmen
12	Schaft	26	Vordere / Rechte Ösenaufnahme
13	Distanzstück	27	Vordere / Linke Ösenaufnahme
14	Schaftkappe	28	Riemenbügelschraube



1	Verschlusskörper	5	Auszieherstopfenfeder
2	Schlagbolzen	6	Schlagbolzen-Zylinderstift (vorne)
3	Auszieher	7	Schlagbolzen-Zylinderstift (hinten)
4	Auszieherstopfen	8	Schlagbolzenfeder (verjüngte Enden Stirnseite Schlagbolzen)

## 15. GARANTIE

Bitte richten Sie Ihre Garantieanliegen auf elektronischem Weg an: **Info@bergararifles.com**

Für USA: **contact@bergarausa.com**

Oder per Post an: **Bergara North America**  
BPI Outdoors  
1270 Progress Center Ave. Suite 100  
Lawrenceville, GA 30043

Außerhalb der USA/Kanada: **DIKAR S. Coop**  
Ugarte, 26  
20570 Bergara - Gipuzkoa (Spain)

Für die Büchse Bergara BXR wird für die Lebensdauer der Waffe garantiert, dass sie frei von Herstellerfehlern ist. Diese Garantie gilt für den Erstkäufer und ist nicht übertragbar. Diese Garantie deckt normale Abnutzung, Verarbeitung von Metall oder Holz, Missbrauch oder nicht vorgesehenen Gebrauch, Schäden an Eigentum, Kosten für Unannehmlichkeiten oder Nutzungsausfall nicht ab.

Diese Garantie räumt Ihnen bestimmte gesetzliche Rechte ein, und sie können weitere Rechte, die von Staat zu Staat oder Land zu Land variieren, haben. Abgesehen von den Annahmen des Verlusts der Garantie, die in den verschiedenen Abschnitten dieses Handbuchs erwähnt werden, führen auch die Folgenden zum Erlöschen der Garantie.

- Unerlaubte Änderungen und/oder Reparaturen.
- Büchse in vernachlässigtem Zustand zurückgesendet (verschmutzt, korrodiert, usw.).
- Nutzung falscher Munition (z. B. militärische Munition, nachgeladenen Munition, nicht durch CIP oder SAAMI zugelassene Munition).
- Schäden die durch die Nichtbeachtung der in diesem Handbuch gegebenen Anweisungen entstehen.

Die Büchse ist durch seine Seriennummer an der Seite des Verschlussgehäuses identifiziert.

**WICHTIG: Stellen Sie im Falle einer Rücksendung sicher, dass die Büchse entladen ist!!**

**B BERGARA**

INTERNATIONALER KUNDENSERVICE:

BERGARA

**DIKAR S. Coop**

Ugarte, 26  
20570 Bergara - Gipuzkoa (Spain)  
Tel.: +34 943 769 893  
info@bergararifles.com  
www.bergararifles.com  
Facebook: Bergara Rifles Europe  
Youtube: bergarainternational

KUNDENSERVICE USA/KANADA:

**Bergara North America**

BPI Outdoors  
1270 Progress Center Ave. Suite 100  
Lawrenceville, GA 30043  
800 320-8767  
www.bergarausa.com  
contact@bergarausa.com  
Facebook: Bergara USA  
Youtube: Bergara US





1. Introduction	58
2. Sécurité générale	59
3. Éléments de sécurité pour toutes les armes à feu	60-61
4. Avant de tirer avec la carabine	61
5. Chargement des munitions avec chargeur amovible	62
6. Fonctionnement du chargeur amovible	62
7. Charger la carabine	63
8. Tirer avec la carabine	64
9. Monter la lunette de visée	65
10. Réglage de la détente	65
11. Démontage de l'arme	66-67
12. Nettoyage et entretien	67-69
• Canon	68
• Récepteur et verrou	68-69
• Crosse	69
• Détente	69
13. Rangement	69
14. Description générale	70-71
15. Garantie	72

# 1. INTRODUCTION

Merci d'avoir acheté la carabine Bergara BXR.

Nous espérons que cette arme corresponde à vos attentes, serve à vos besoins et vous procure des années de satisfaction.

Veillez lire ce manuel. Il y a de nombreuses fonctions avec lesquelles l'utilisateur doit se familiariser pour utiliser cette arme en toute sécurité.

*L'avenir des sports de tir dépend de vous.*

Les accidents, la mauvaise utilisation des armes etc. sont décrits présent lors des sports de tir en général et les armes à feu en particulier. Soyez responsable, favorisez la sécurité et écoutez les conseils de sécurité des autres tireurs.

Si après avoir lu ces instructions, avertissements et risques détaillés dans ce manuel, vous n'êtes pas prêt à accepter la responsabilité qu'implique le maniement et le tir en toute sécurité d'une arme à feu, veuillez restituer l'arme où vous l'avez achetée.

*Toutes les mesures de sécurité doivent être prises en compte pour un usage sûr de l'arme à feu.*

## 2. SÉCURITÉ GÉNÉRALE

### 10 Règles de sécurité pour manipuler votre arme

1. Gardez toujours la bouche pointée dans une direction sûre, même si la carabine n'est pas chargée.
2. Soyez sûr de votre cible et de ce qui se trouve derrière elle avant de viser quoi que ce soit.
3. Ne faites jamais confiance au cran de sûreté d'une arme à feu.
4. L'arme doit être déchargée jusqu'au moment de son utilisation.
5. Utilisez toujours des protections pour les yeux et les oreilles.
6. Le canon doit être libre de toute obstruction avant de le charger et de tirer.
7. Manipulez toute arme à feu comme si elle était chargée.
8. Rangez les armes à feu et les munitions séparément et dans un endroit fermé à clé.
9. Évitez de consommer de l'alcool et des drogues avant et pendant l'utilisation d'une arme à feu.
10. Ne modifiez pas votre arme à feu. Assurez-vous que votre arme à feu est régulièrement révisée par un armurier compétent. Assurez-vous que toutes les parties fonctionnent correctement avant chaque utilisation.

### 3. CONSIDÉRATIONS DE SÉCURITÉ POUR TOUTES LES ARMES À FEU

- Ne jamais fumer lorsque vous tirez ou manipulez une arme à feu ou du matériel lié à celle-ci. Les cendres ou étincelles peuvent enflammer la poudre ou les cartouches, entraînant des dommages corporels, voire la mort.
- Utilisez toujours des protections oculaires. Il se peut que des étincelles jaillissent de la culasse ou de la bouche lorsqu'une arme à feu est déchargée.
- Vérifiez toujours la carabine avant de l'utiliser afin de vous assurer qu'il se trouve dans de bonnes conditions d'usage. Testez la détente et le système de déverrouillage avec soin avant de charger la carabine. Assurez-vous que le canon n'est pas obstrué. Toute obstruction peut provoquer la rupture du canon, entraînant de graves blessures, voire la mort.
- Ne chargez jamais une arme à feu avant d'être prêt à tirer. Vous devez retirer la cartouche lorsque vous marchez, grimpez dans des arbres ou des clôtures, passez l'arme à feu d'une personne à une autre, sautez un mur ou une clôture, etc.
- Ne posez jamais une arme à feu contre un mur, un arbre, un véhicule ou toute autre surface. Si une arme à feu chargée tombe, cela peut provoquer un tir accidentel de l'arme, entraînant des blessures graves, voire la mort.
- Ne transportez jamais une arme à feu chargée dans n'importe quel type de véhicule. L'arme à feu est considérée chargée tant que la cartouche reste dans la chambre.
- Ne jamais ranger une arme à feu chargée. L'arme à feu doit être déchargée et nettoyée avant d'être rangée.
- Ne jamais charger une arme à feu sans d'abord vous assurer que le canon est nettoyé et sans obstructions. Si l'arme à feu tombe au sol ou par terre par accident, vérifiez que le canon ne s'est pas obstrué.
- Soyez très prudent lorsque vous chassez depuis une position élevée. Si une arme à feu chargée tombe, cela peut provoquer un tir accidentel de l'arme, entraînant des blessures graves, voire la mort. Assurez-vous que l'arme à feu est déchargée avant de grimper ou de descendre d'un socle.
- Ne faites jamais confiance au cran de sûreté ! Les dispositifs mécaniques peuvent avoir des défaillances. Les armes à feu doivent toujours être manipulées comme si elles étaient prêtes à tirer, quelle que soit la position ou la condition mécanique du cran de sûreté.

### 3. CONSIDÉRATIONS DE SÉCURITÉ POUR TOUTES LES ARMES À FEU

- Suivez toujours les procédures de nettoyage appropriées. Tirer avec une arme à feu mal entretenue ou corrodée peut entraîner de dangereuses pressions et/ou provoquer l'explosion du canon, entraînant des blessures graves, voire la mort.
- Ne pointez jamais le canon vers quelque chose que vous ne voulez pas endommager. Lorsque vous portez l'arme à feu sur votre épaule, assurez-vous que le canon pointe en l'air.
- N'essayez jamais de modifier les parties internes de votre arme à feu. Cela peut provoquer une situation dangereuse, entraînant une décharge accidentelle de l'arme et causant de graves blessures, voire la mort. Ces modifications entraîneront généralement l'annulation de la garantie.
- Ne laissez jamais l'arme à feu sans surveillance ou à la portée des enfants. Cela est puni par la loi dans certains pays.

### 4. AVANT DE TIRER AVEC LA CARABINE

Familiarisez-vous avec l'arme. Apprenez son mode de fonctionnement et comment l'utiliser sans munitions.

Recommandations avant d'utiliser la carabine :

- Vérifiez que la carabine n'est pas chargée, c'est-à-dire qu'il n'y a pas de munition dans la chambre ou d'obstruction dans l'alésage du canon.
- Assurez-vous qu'il n'y a pas de munitions dans le chargeur.
- Nettoyez l'intérieur de l'alésage du canon comme cela est montré dans la section « *Nettoyage et entretien* ».
- Retirez l'excès de graisse de la zone du récepteur.
- Vérifiez le déclencheur pour un fonctionnement correct en tirant à sec plusieurs fois.

**REMARQUE :** *Le tir à sec excessif peut endommager le percuteur des armes à percussion annulaire, notamment ce BXR.*

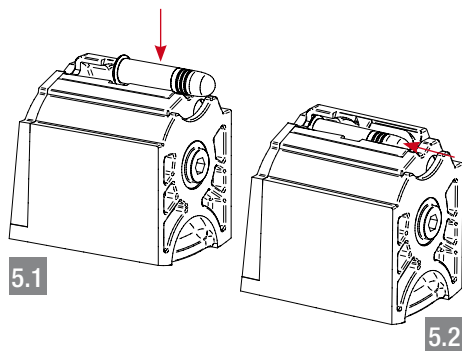
- Après avoir effectué les étapes ci-dessus, vous pouvez charger l'arme à feu comme cela est montré dans la section suivante de ce manuel.

## 5. CHARGEMENT DES MUNITIONS AVEC CHARGEUR AMOVIBLE

Le BXR est utilisé comme suit :

Chargez le chargeur par l'ouverture supérieure avec la munition adéquate. Enfoncez la cartouche (Fig. 5.1) et, une fois cette dernière posée sur l'avant du chargeur, glissez-la vers l'arrière. (Fig. 5.2)

La capacité du chargeur est de 10 cartouches. Des problèmes de fonctionnement peuvent se produire si ces étapes ne sont pas suivies.



### Conseil de sécurité :

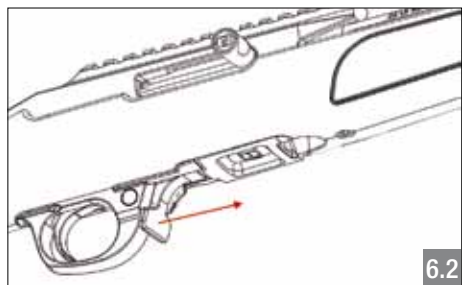
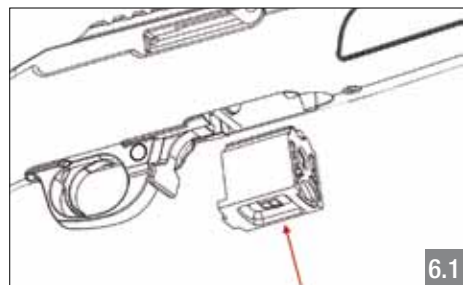
Vérifiez à deux fois que la munition chargée est la bonne. Le calibre est inscrit sur le côté du canon de la carabine. Tirer avec une munition d'un autre calibre que celui inscrit sur le canon est très dangereux et peut entraîner de très graves accidents.

**NOUS NE RECOMMANDONS PAS L'UTILISATION DE LA MUNITION À GRANDE VITESSE TELLE QUE LA MUNITION STINGER®, CAR CELA PEUT NE PAS CHAMBRER CORRECTEMENT.**

## 6. FONCTIONNEMENT DU CHARGEUR AMOVIBLE

Pour installer le chargeur, insérez-le entièrement à l'intérieur de la crosse jusqu'à ce qu'il s'encastre et que la retenue du chargeur soit entièrement enclenchée. (Fig. 6.1)

Pour déverrouiller le chargeur, appuyez sur le levier situé à l'avant du pontet. (Fig. 6.2)



## 7. CHARGER LA CARABINE

- Assurez-vous que la sécurité est enclenchée en appuyant sur le mécanisme de sécurité à droite, ou à la position qui n'affiche pas de rouge. (Fig 7.1)
- Mettez la poignée de verrou à l'arrière et assurez-vous que l'arme à feu n'est pas chargée. Vérifiez que rien n'obstrue l'alésage du canon. (Fig 7.1)
- Verrouillez le verrou vers l'arrière à l'aide du mécanisme de verrouillage du verrou. (Fig 7.2)
- Insérez fermement le chargeur dans l'arme à feu jusqu'à ce qu'il se verrouille. (Fig 7.3)

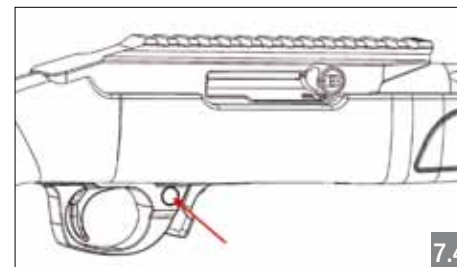
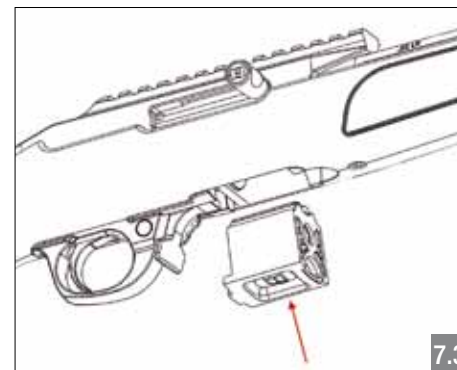
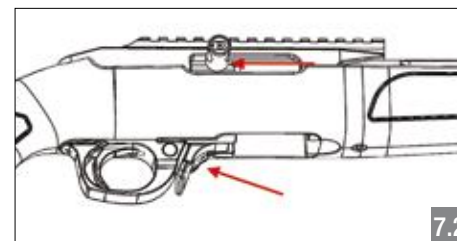
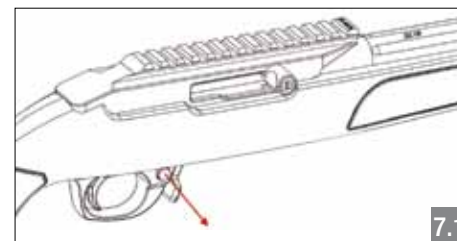
**REMARQUE :** Le chargeur ne se verrouillera que s'il est correctement orienté.

- Tirez la poignée du verrou vers l'arrière pour déverrouiller le boulon de verrouillage. Puis, relâchez la poignée du verrou, permettant au verrou de se fermer librement sous la tension du ressort.
- La carabine n'est maintenant pas considérée comme chargée.

### Conseil de sécurité :

Ne touchez pas la détente durant le processus de chargement du chargeur. Cela peut provoquer une situation dangereuse et entraîner une décharge accidentelle.

- Lorsque vous êtes prêt à tirer, dégagez le cran de sûreté (poussez la sécurité vers la gauche) et tirez doucement sur la détente. (Fig. 7.4)





## 8. TIRER AVEC LA CARABINE

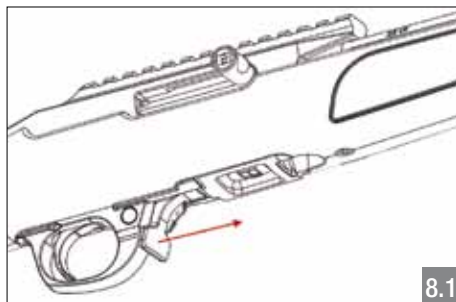
### Conseil de sécurité :

*Si lorsque vous appuyez sur la détente d'une arme chargée la carabine ne tire pas, pointez l'arme dans une direction sûre et attendez 30 secondes avant d'ouvrir le verrou. Le verrou doit être ouvert avec d'infinies précautions.*

- Après avoir tiré, la carabine rechargera automatiquement et réarmera le marteau. Ce processus se répétera jusqu'à ce que tous les coups aient été activés à partir du chargeur.

**REMARQUE :** Le verrou ne se verrouille pas en position ouverte une fois le dernier coup tiré.

- Pour décharger le BXR, déplacez le verrou vers l'arrière et verrouillez le verrou en position ouverte à l'aide du verrouillage de verrou. Retirez le chargeur amovible en appuyant ou poussant vers l'avant le levier de déverrouillage du chargeur. (Fig. 8.1)
- Vérifiez qu'il ne reste pas de munitions dans la chambre.



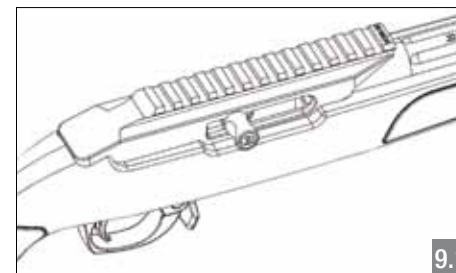
### Conseil de sécurité :

*Si vous pensez avoir eu une munition défectueuse et que la balle se trouve toujours dans le canon, retirez le verrou et vérifiez-le. N'essayez pas de retirer la balle qui se trouve coincée en tirant à nouveau, car la pression créée peut détruire l'arme en blessant le tireur. Tenter d'écraser la balle avec une tige de nettoyage ou une autre tige en métal peut gravement endommager l'alésage du canon. Emmenez l'arme chez un armurier qualifié ou contactez le Service clientèle de Bergara.*

## 9. MONTER LA LUNETTE DE VISÉE

Le BXR possède un rail 30 MOA Picatinny intégré au récepteur (Fig. 9.1). Utilisez les bagues de hauteur appropriées pour permettre à la lunette de visée de dégager le canon.

Lorsque vous installez la bague de la lunette, nous vous conseillons d'utiliser un produit de blocage de filetage comparable à Loctite® 242. Cela empêchera la lunette de visée de se desserrer au fil du temps à cause du recul.



Pour installer la lunette de visée, suivez les instructions fournies par le fabricant de celle-ci.

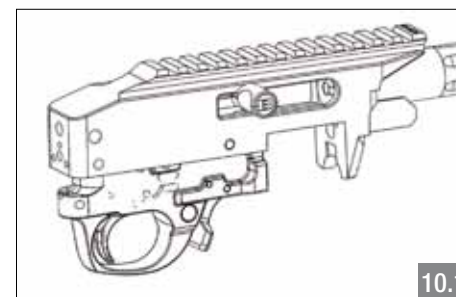
### Conseil de sécurité :

*Portez toujours des lunettes de protection lorsque vous tirez. N'installez pas la lunette de visée trop près de votre œil. À cause du recul, la lunette de visée peut heurter le visage du tireur et le blesser. Nous vous conseillons de vérifier que votre poignet peut tenir entre vos yeux et la lunette de visée. Si la distance oculaire est très courte, déplacez la lunette de visée vers l'avant ou remplacez-la par une autre avec une distance oculaire plus grande.*

## 10. RÉGLAGE DE LA DÉTENTE

Le BXR ne comporte pas de mécanisme de détente réglable.

La détente est préréglée à l'usine. (Fig. 10.1)



### Conseils de sécurité :

*Plusieurs ensembles de détentes 10/22 du marché des pièces de rechange sont compatibles avec le BXR. Si vous choisissez d'utiliser un ensemble de détente, nous suggérons d'amener la carabine et l'ensemble de détente alternatif à un autre armurier qualifié pour l'installation et pour vous assurer de son bon fonctionnement. La détente doit être réglée uniquement par l'usine. Une détente trop légère peut entraîner une décharge accidentelle.*

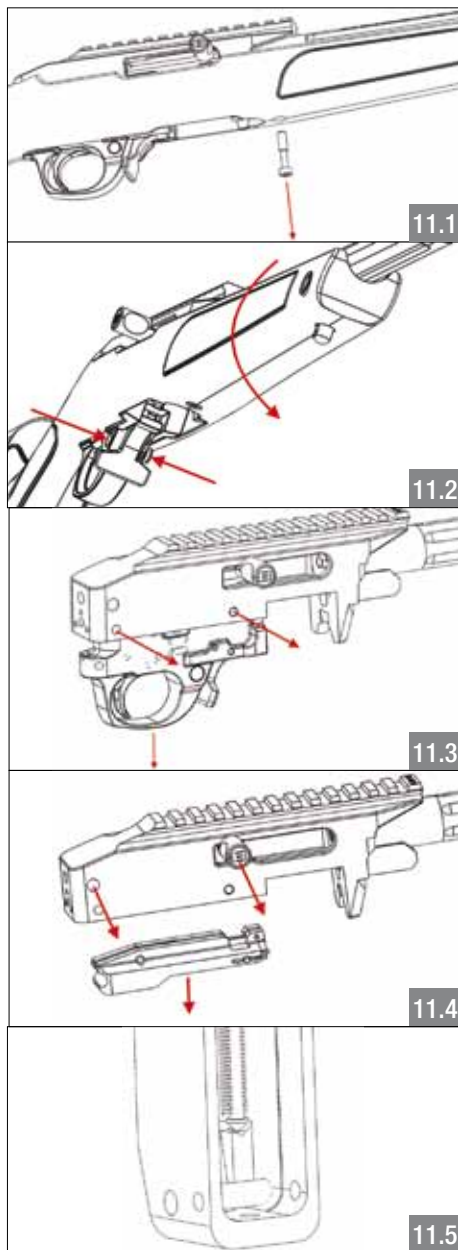
## 11. DÉMONTAGE DE L'ARME

Pour démonter l'arme afin de la nettoyer ou de l'inspecter, réalisez les étapes suivantes :

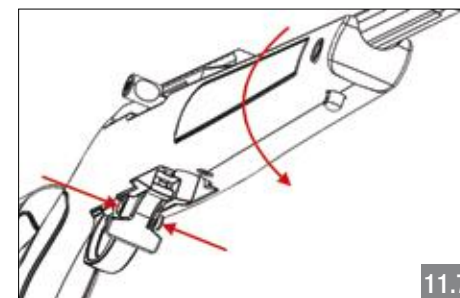
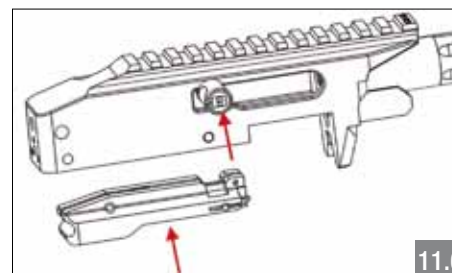
- Déchargez la carabine en libérant le chargeur amovible.
- Déplacez le verrou vers l'arrière et assurez-vous qu'il n'y a pas de cartouche dans la chambre.
- Desserrez la vis de la crosse. (Fig. 11.1)
- Mettez la sécurité à la position centrale et retirez la crosse. (Fig. 11.2)
- Retirez les goupilles du pontet, puis le mécanisme de détente. (Fig. 11.3)
- Retirez la goupille tampon de recul arrière, déplacez et maintenez le verrou sur la position arrière et retirez le verrou. (Fig. 11.4)

Pour remonter la carabine démontée, suivez les étapes suivantes :

- Placez la poignée du verrou et le bloc-ressort de recul dans le récepteur. L'extrémité de la tige de guidage de ressort de recul doit être placée dans la position indiquée. (Fig. 11.5)
- Tirez la poignée du verrou vers l'arrière jusqu'à ce qu'elle soit entièrement en position arrière et placez le verrou sur la poignée du verrou. (Fig. 11.6)
- Appuyez sur le verrou. La poignée du verrou doit être placée dans l'encoche au-dessus du boulon.
- Laissez le verrou se déplacer vers l'avant.
- Insérez le tampon de recul dans le récepteur.



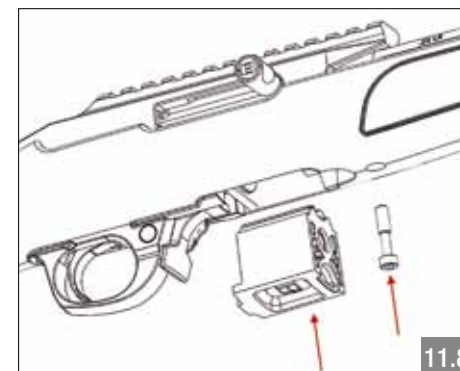
## 11. DÉMONTAGE DE L'ARME



- Installez le mécanisme de détente et insérez les deux goupilles de retenue.
- Déplacez la sécurité dans une position centrale, puis montez le canon et le récepteur dans la crosse. (Fig. 11.7)

**REMARQUE :** Le récepteur doit être inséré légèrement en avant de sa position normale et déplacé vers l'arrière lorsqu'il est abaissé en place.

- Serrez la vis de la crosse à un couple d'environ 30 livres-pouces. (Fig. 11.8)



## 12. NETTOYAGE ET ENTRETIEN

En général, la carabine BXR est facile à entretenir. Vous trouverez dans cette section toutes les informations requises pour maintenir une arme en bon état.

Nous vous conseillons de nettoyer les parties suivantes régulièrement, notamment après une journée de chasse ou sur le champ de tir (référez-vous toujours aux instructions fournies par le fabricant des produits chimiques utilisés).

Nous suggérons de nettoyer votre carabine BXR après les 100 premiers coups, puis tous les 200 à 300 coups ensuite.

**REMARQUE :** La suppression du tir augmentera la contre-pression, tout comme l'accumulation de crasse dans la zone du récepteur et du verrou. Si la carabine commence à présenter des défaillances au niveau du cycle ou du tir lorsque le tir est supprimé, nettoyez soigneusement la zone du récepteur, du verrou et de la chambre.

## 12. NETTOYAGE ET ENTRETIEN

### Canon

La haute qualité du canon des carabines Bergara requiert une attention particulière pour conserver son exactitude. Vous devriez suivre ces conseils :

- Le sens correct de nettoyage est de la chambre vers la bouche. Nettoyer le canon dans le sens opposé peut entraîner une usure excessive sur la bouche du canon. Cela affectera de manière permanente la précision de la carabine. Un trou d'accès est fourni à l'arrière du récepteur pour le passage de la tige de nettoyage dans le canon. Démontez la carabine en suivant les instructions figurant dans la section 11.
- Si possible, utilisez une tige de nettoyage de qualité d'une seule pièce afin d'éviter d'endommager l'alésage du canon.
- Employez des produits de nettoyage adéquats afin d'aider à prolonger la vie du canon.
- Passez un patch sec de taille appropriée (un carré de tissu) dans le canon. Cela évacuera toute la crasse décollée.
- Puis, passez un patch imbibé de solvant dans l'alésage jusqu'à ce que la graisse et la poussière soient éliminées de l'alésage et de la chambre.

**REMARQUE :** Nous suggérons de suivre les instructions d'utilisation du fabricant.

- Éviter que trop de cuivre, de plomb ou de pou-dre ne s'accumule dans l'alésage du canon. Ces accumulations réduiront la précision.

**IMPORTANT :** Des problèmes d'extraction peuvent se produire si le solvant n'est pas utilisé pour retirer la crasse sur l'extrémité de la culasse du canon, notamment la rainure de l'extracteur.

- Utilisez une brosse de haute qualité en bronze ou en nylon pour nettoyer l'alésage du canon. Évitez les brosses en acier inoxydable.
- Après avoir nettoyé l'alésage du canon, appliquez un patch imbibé d'huile d'arme pour éviter l'oxydation. Passez un chiffon sec avant de tirer pour retirer l'huile et ne pas endommager l'alésage du canon.

**IMPORTANT :** Nous suggérons d'huiler légèrement l'intérieur du canon et les surfaces métalliques extérieures de l'arme après le nettoyage. Avant de tirer à nouveau, passez un patch sec à travers le canon pour retirer l'excès d'huile. Des traces d'huile à l'intérieur du canon au moment de tirer peuvent entraîner une surpression.

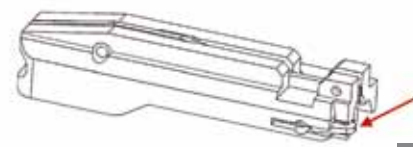
- Vérifiez régulièrement que la pointe du canon n'est pas endommagée car ceci peut sérieusement en affecter la précision.

### Récepteur et Verrou

- Nettoyez tout le verrou et l'intérieur du récepteur avec un chiffon saturé d'un produit de nettoyage pour les armes à feu adéquat pour enlever les résidus.
- À l'aide d'une brosse en laiton ou en nylon, nettoyez la face du verrou et l'extracteur. Nettoyez aussi la zone exposée au mécanisme de tir.

## 12. NETTOYAGE ET ENTRETIEN

- Le corps du verrou et la poignée du verrou doivent être lubrifiés. Périodiquement, il faut mettre une goutte d'huile adéquate sur l'extracteur (Fig. 12.1) pour obtenir un film d'huile très fin. Cependant, trop d'huile peut bloquer le fonctionnement du mécanisme du verrou.

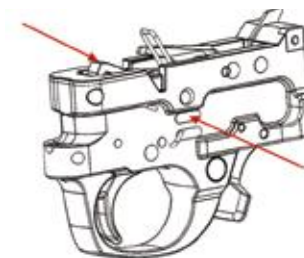


12.1

- Nettoyez et lubrifiez légèrement la poignée du verrou et le bloc-ressort de recul.

### Crosse

- Vous pouvez utiliser une fine brosse pour retirer la poussière depuis l'extérieur.
- La crosse synthétique est facile à nettoyer avec un tissu microfibre humidifié.



12.2

- Évitez d'appliquer des solvants de nettoyage d'arme et d'autres produits chimiques sur la crosse. Certains produits chimiques peuvent endommager la peinture.

**REMARQUE :** Évitez les insectifuges contenant du DEET car cela peut détériorer la finition de la crosse.

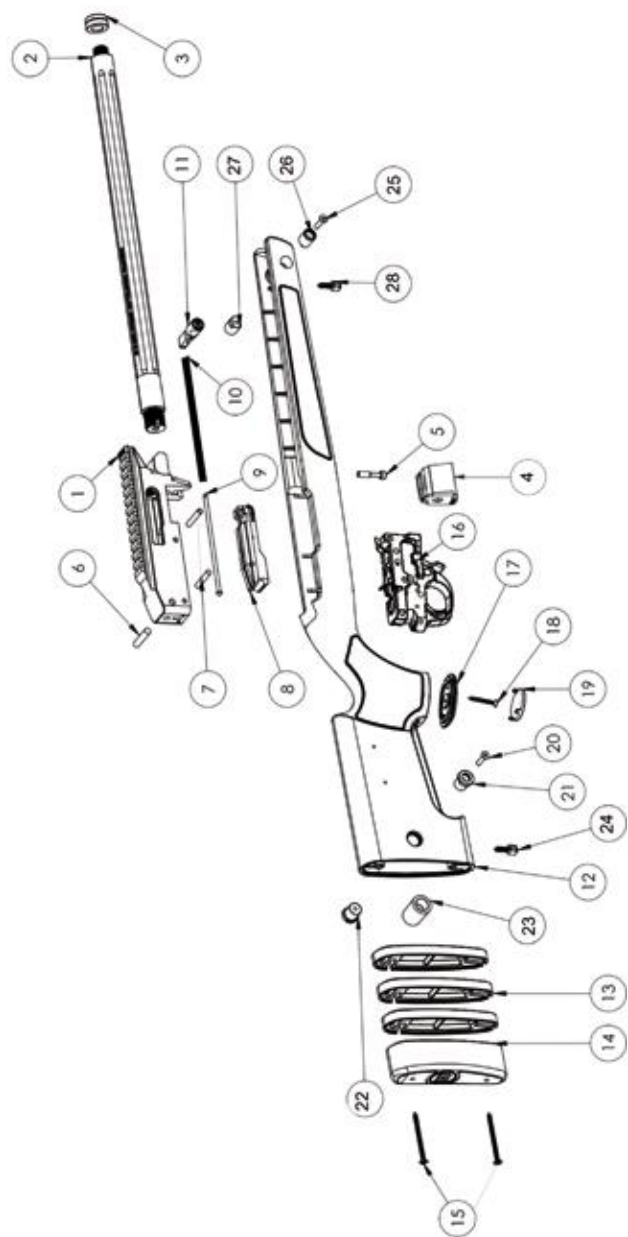
### Détente

- La détente doit être lubrifiée périodiquement pour assurer un bon entretien et fonctionnement. (Fig 13.2)
- Nous recommandons de pulvériser un lubrifiant liquide fin.

## 13. RANGEMENT

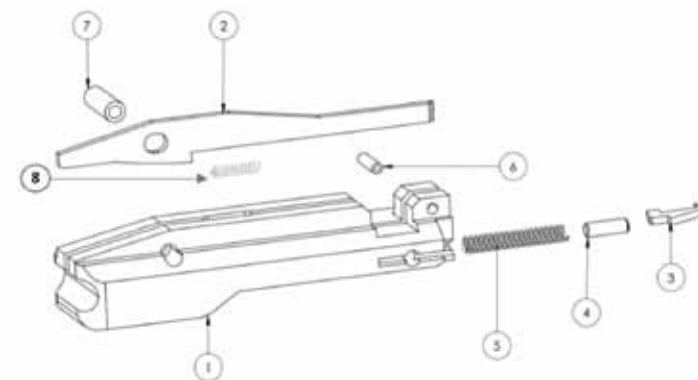
- Rangez votre arme dans un coffre-fort avec une méthode pour réduire l'humidité relative qu'il peut y avoir à l'intérieur de celle-ci.
- De temps en temps, sortez la carabine de l'endroit où elle est rangée et nettoyez-la.
- Suivez les réglementations légales concernant le rangement des armes à feu.
- Si vous allez conserver la carabine dans un râtelier pendant une longue période, rangez-le non armé, avec le ressort du marteau en position de repos, c'est-à-dire non comprimé.
- Maintenez un film fin d'huile de protection sur les surfaces métalliques pour renforcer la protection contre la corrosion.

## 14. DESCRIPTION GÉNÉRALE



## 14. DESCRIPTION GÉNÉRALE

ITEM N°	DESCRIPTION	ITEM N°	DESCRIPTION
1	Récepteur	15	Vis du coussinet de recul
2	Canon	16	Mécanisme de détente
3	Embout fileté	17	Calotte de poignée
4	Chargeur	18	Vis de fixation de la calotte de poignée
5	Vis de crosse	19	Embout de calotte de poignée
6	Goupille tampon	20	Vis de cuvette de rinçage
7	Goupilles de détente	21	Cuvette de rinçage arrière/droite
8	Verrou	22	Cuvette de rinçage arrière/gauche
9	Guide de ressort de recul	23	Bague de crosse
10	Ressort de recul	24	Cuvette de rinçage
11	Poignée du verrou	25	Vis de cuvette de rinçage
12	Crosse	26	Cuvette de rinçage avant/droite
13	Entretoise	27	Cuvette de rinçage avant/gauche
14	Coussinet de recul	28	Support de bretelle arrière



1	Corps du verrou	5	Ressort du bouchon obturateur
2	Percuteur	6	Goupille cylindrique du percuteur (avant)
3	Extracteur	7	Goupille cylindrique du percuteur (arrière)
4	Bouchon obturateur	8	Ressort du percuteur (extrémités effilées face à l'arrière du verrou)

## 15. GARANTIE

Veillez envoyer vos demandes concernant la garantie par e-mail à :

**Info@bergararifles.com**

Pour les États-Unis : **contact@bergarausa.com**

Ou par courrier postal à : **Bergara North America**

BPI Outdoors  
1270 Progress Center Ave. Suite 100  
Lawrenceville, GA 30043

Pour les pays autres que les États-Unis et le Canada :

**DIKAR S. Coop**  
Ugarte, 26  
20570 Bergara - Gipuzkoa (Spain)

La carabine Bergara BXR est garanti sans défaut de fabrication pour la durée de vie de l'arme. Cette garantie appartient à l'acheteur d'origine et n'est pas transmissible. Cette garantie ne couvre pas l'usure normale, la finition du métal ou du bois, l'abus ou la mauvaise utilisation, les dégâts matériels, le coût des inconvénients ou la perte d'utilisation.

Cette garantie vous donne certains droits légaux et vous pouvez avoir d'autres droits qui changent suivant l'État ou le pays. Outre les hypothèses d'annulation de garantie mentionnées dans les différents chapitres de ce manuel, ce qui figure ci-dessous annulera aussi la garantie :

- Des modifications et/ou réparations non autorisées.
- Une carabine renvoyée dans des conditions de négligence (saleté, corrosion, etc).
- Utiliser des munitions inappropriées (par exemple des munitions militaires, des munitions rechargées et non autorisées par CIP ou SAAMI).
- Dommages découlant du fait de ne pas avoir suivi les instructions données dans ce manuel.

L'arme est identifiée par son numéro de série sur le côté du récepteur.

**IMPORTANT : En cas de renvois, assurez-vous que l'arme est déchargée !**

**B BERGARA**

SERVICE CLIENTÈLE INTERNATIONAL :

BERGARA

**DIKAR S. Coop**

Ugarte, 26  
20570 Bergara - Gipuzkoa (Spain)  
Tel.: +34 943 769 893  
info@bergararifles.com  
www.bergararifles.com  
Facebook: Bergara Rifles Europe  
Youtube: bergarainternational

SERVICE CLIENTÈLE ÉTATS-UNIS/CANADA :

**Bergara North America**

BPI Outdoors  
1270 Progress Center Ave. Suite 100  
Lawrenceville, GA 30043  
800 320-8767  
www.bergarausa.com  
contact@bergarausa.com  
Facebook: Bergara USA  
Youtube: Bergara US



1. Presentazione	76
2. Sicurezza generale	77
3. Precauzioni di sicurezza applicabili a qualsiasi arma da fuoco	78-79
4. Prima di sparare con il fucile	79
5. Caricamento munizioni con caricatore estraibile	80
6. Funzionamento del caricatore sganciabile	80
7. Caricamento del fucile	81
8. Sparare col fucile	82
9. Installazione del mirino telescopico	83
10. Regolazione del peso di sgancio del grilletto	83
11. Smontaggio	84-85
12. Pulizia e manutenzione	85-87
• Canna	86
• Castello e Otturatore	86-87
• Grilletto	87
• Calcio	87
13. Custodia	87
14. Descrizione	88-89
15. Garanzia	90

# 1. PRESENTAZIONE

Grazie per aver scelto il fucile Bergara BXR.

Speriamo che questa arma da fuoco soddisfi le sue esigenze e le sue aspettative, regalando anni di soddisfazioni.

La invitiamo a leggere il presente manuale. Per poter utilizzare l'arma in sicurezza dovrà acquisire familiarità con le diverse caratteristiche del prodotto.

*Il futuro del tiro sportivo dipende anche da lei.*

Gli incidenti, l'uso improprio delle armi da fuoco, ecc. sono in generale considerati motivi che giustificano il divieto di praticare il tiro sportivo e nello specifico di utilizzare le armi da fuoco. La invitiamo a tenere un comportamento responsabile, di promuovere la sicurezza e di seguire i consigli in tema di sicurezza dei suoi compagni tiratori.

Se dopo aver letto le istruzioni, gli avvisi e i potenziali rischi illustrati nel presente manuale non si sente pronto ad accettare le responsabilità correlate all'utilizzo sicuro di un'arma da fuoco, le suggeriamo di restituire il prodotto al rivenditore presso il quale l'ha acquistato.

*Per utilizzare in sicurezza quest'arma è necessario adottare tutte le misure di sicurezza possibili.*

## 2. SICUREZZA GENERALE

### 10 Regole di sicurezza per maneggiare un'arma da fuoco

1. Mantenere sempre la volata rivolta verso un punto sicuro, anche quando il fucile non è carico.
2. Scegliere con cura il proprio bersaglio e, prima di puntare il fucile, tenere conto di ciò che è dietro.
3. Non fare mai affidamento sulla sicura meccanica di un'arma da fuoco.
4. Mantenere l'arma sempre scarica fino al momento dell'uso.
5. Indossare sempre le apposite protezioni per occhi e orecchie.
6. Prima di caricare e di sparare, verificare che la canna sia completamente libera e che non ci siano oggetti che la ostruiscano.
7. Maneggiare qualsiasi arma da fuoco come se fosse carica.
8. Custodire le armi e le munizioni in luoghi separati e in appositi contenitori chiusi a chiave.
9. Evitare il consumo di alcol e di sostanze stupefacenti prima e durante l'utilizzo di armi da fuoco.
10. Non modificare né alterare l'arma da fuoco. Far sottoporre l'arma a manutenzione regolare a un armaiolo competente. Prima di ogni utilizzo, verificare che ogni parte e componente del fucile funzioni correttamente.

### 3. PRECAUZIONI DI SICUREZZA APPLICABILI A QUALSIASI ARMA DA FUOCO

- Non fumare mentre si spara o si maneggia un'arma da fuoco o i suoi componenti. Le ceneri o le scintille possono incendiare la polvere da sparo, provocando lesioni personali o la morte.
- Utilizzare sempre adeguate protezioni per gli occhi. Sparando, è possibile che si sprigionino delle scintille dalla culatta o dalla volata.
- Prima di utilizzarlo, controllare sempre il fucile per verificare che sia in buono stato. Prima di caricare il fucile, verificare che il grilletto e il sistema di rilascio funzionino correttamente. Controllare che la canna non sia ostruita. Qualsiasi tipo di ostruzione può causare la rottura della canna, con conseguenti gravi lesioni personali o la morte.
- Non caricare mai un'arma da fuoco fino a quando non si è pronti per sparare. Rimuovere la cartuccia quando si cammina, si scalano alberi o recinzioni, si passa il fucile a un'altra persona, si salta un muro o una recinzione, ecc.
- Non appoggiare mai un'arma da fuoco contro una parete, un albero, un veicolo o una qualsiasi altra superficie. La caduta di un'arma da fuoco carica può far partire un colpo accidentale, con conseguenti possibili gravi lesioni personali o la morte.
- Non trasportare mai un'arma da fuoco carica in alcun tipo di veicolo. Finché la cartuccia è all'interno della camera, considerare l'arma come se fosse carica.
- Non riporre mai un'arma da fuoco carica. Prima di riporre l'arma rimuovere le munizioni e pulirla.
- Prima di caricare un'arma da fuoco controllare che la canna sia pulita e non ostruita. Se l'arma cade accidentalmente a terra, controllare che la canna non sia stata ostruita.
- Prestare la massima attenzione quando si caccia da una postazione elevata. In caso di caduta di un'arma da fuoco carica può partire un colpo accidentale, con conseguenti possibili gravi lesioni personali o la morte. Assicurarsi che l'arma sia scarica prima di salire o scendere da una piattaforma.
- Non fare mai affidamento sulla sicura meccanica. È possibile che tali dispositivi di sicurezza non siano efficaci. Le armi da fuoco devono sempre essere maneggiate come se fossero pronte a sparare, indipendentemente dalla posizione o dalla condizione meccanica della sicura meccanica.
- Seguire sempre procedure di pulizia dell'arma adeguate. Sparare con un'arma da fuoco arrugginita o non sottoposta ad un'adeguata manutenzione può causare un accumulo di pressioni pericolose e/o l'esplosione della canna, con conseguenti lesioni gravi o la morte.

### 3. PRECAUZIONI DI SICUREZZA APPLICABILI A QUALSIASI ARMA DA FUOCO

- Non puntare mai la canna verso qualcosa che si desidera preservare da eventuali danni. Quando si porta l'arma sulla spalla controllare che la canna sia orientata verso l'alto.
- Non cercare mai di modificare i componenti interni dell'arma da fuoco, perché si potrebbero creare condizioni pericolose che innescano un colpo accidentale in grado di provocare lesioni gravi o la morte. Inoltre, tali modifiche generalmente comportano l'annullamento della garanzia.
- Non lasciare mai l'arma incustodita o a portata di bambini. In alcuni paesi questo comportamento è perseguibile a norma di legge.

### 4. PRIMA DI SPARARE CON IL FUCILE

Acquisire familiarità con l'arma. Comprenderne il funzionamento e capire come si usa senza munizioni.

Raccomandazioni da leggere prima di utilizzare il fucile

- Controllare che il fucile non sia carico, ovvero che non vi siano bossoli nella camera di cartuccia o altri elementi che ostruiscono l'anima della canna.
  - Controllare che non vi siano cartucce nel caricatore.
  - Pulire l'interno della canna come indicato nella sezione "Pulizia e manutenzione".
  - Rimuovere l'olio in eccesso dall'area del castello.
  - Sparare a vuoto diverse volte per controllare che il grilletto funzioni correttamente
- NOTA:** Sparare a vuoto diverse volte può danneggiare il percussore dei fucili a percussione anulare, tra cui quello del modello BXR.
- Dopo aver completato le fasi precedenti è possibile caricare l'arma come indicato nella sezione successiva di questo manuale.

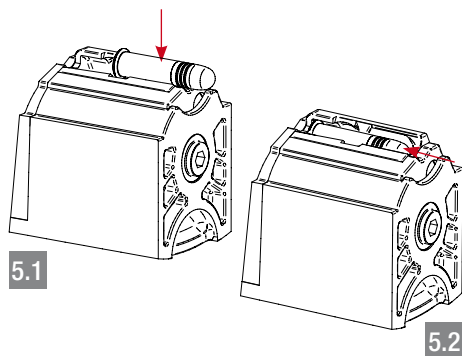


## 5. CARICAMENTO MUNIZIONI CON CARICATORE ESTRAIBILE

Utilizzare il BXR come descritto di seguito.

Caricare il caricatore dal lato superiore, utilizzando le munizioni previste. Premere verso il basso la cartuccia (Fig. 5.1) e, una volta che questa è inclinata sul lato anteriore del caricatore, farla scivolare all'indietro. (Fig. 5.2)

La capacità del caricatore è di 10 cartucce. Il mancato rispetto di questa procedura potrebbe causare problemi di funzionamento.



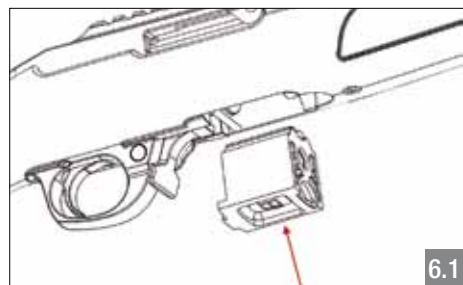
### Avvertenza di sicurezza:

*Verificare sempre che venga utilizzata la munizione corretta per il tipo di arma. Il calibro è stampigliato sul fianco della canna del fucile. Sparare munizioni di calibro diverso da quello riportato sulla canna è molto pericoloso e può causare incidenti molto gravi.*

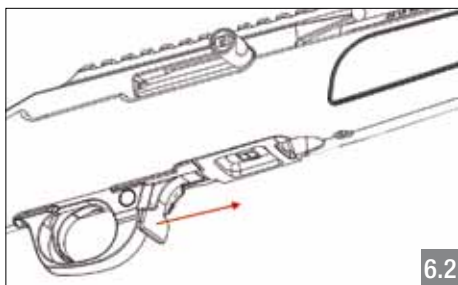
*È VIVAMENTE SCONSIGLIARE UTILIZZARE MUNIZIONI CON VELOCITÀ SUPERIORE A QUELLA STANDARD, COME LE MUNIZIONI STINGER®, IN QUANTO POTREBBERO NON VENIRE CARICATE ADEGUATAMENTE.*

## 6. FUNZIONAMENTO DEL CARICATORE SGANCIABILE

Per installare il caricatore, inserirlo completamente all'interno del calcio fino ad allinearli e fino a inserire completamente a fondo il gancio del caricatore. (Fig. 6.1)

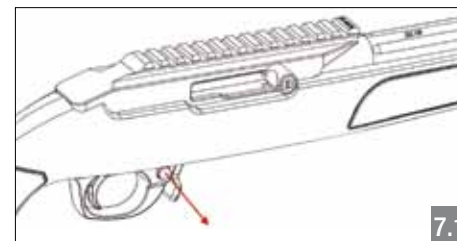


Per rilasciare il caricatore, premere la leva posizionata sul lato anteriore del ponticello del grilletto. (Fig. 6.2)

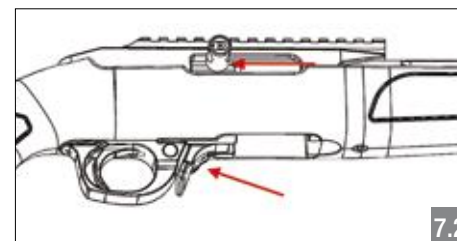


## 7. CARICAMENTO DEL FUCILE

- Assicurarsi che la sicura sia inserita premendo sul meccanismo di sicurezza sulla destra o fino alla posizione in cui non è visibile l'anello rosso. (Fig 7.1)



- Mettere la leva dell'otturatore in posizione posteriore e assicurarsi che l'arma non sia carica. Verificare che il calibro non sia ostruito.

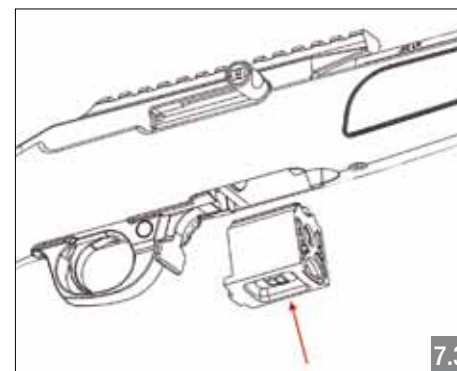


- Bloccare l'otturatore in posizione posteriore utilizzando il meccanismo di bloccaggio dell'otturatore. (Fig 7.2)

- Inserire saldamente il caricatore nell'arma finché si aggancia. (Fig 7.3)

**NOTA:** Il caricatore si aggancerà solo se è orientato correttamente.

- Per rilasciare il meccanismo di bloccaggio dell'otturatore, tirare la leva dell'otturatore all'indietro. Successivamente, rilasciare la leva dell'otturatore per consentire all'otturatore di chiudersi liberamente sotto la pressione della molla.

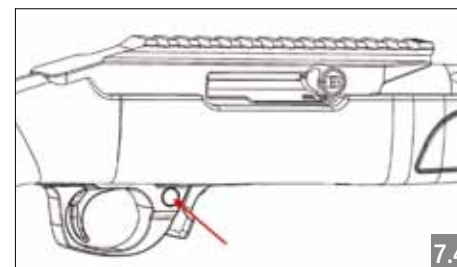


- A questo punto, il fucile può essere considerato carico.

### Avvertenza di sicurezza:

*Non toccare il grilletto durante la procedura di caricamento del caricatore, per non correre il rischio di innescare un colpo accidentale.*

- Quando si è pronti per sparare, rimuovere la sicura (spingendola verso sinistra) e tirare delicatamente il grilletto. (Fig. 7.4)



## 8. SPARARE COL FUCILE

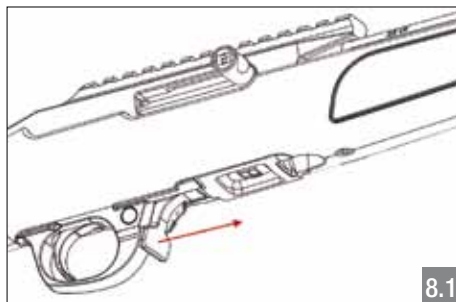
### Avvertenza di sicurezza:

*Se, tirando il grilletto con l'arma carica, il fucile non spara, puntare verso una direzione sicura e attendere 30 secondi prima di aprire l'otturatore, agendo con la massima cautela.*

- Dopo uno sparo, il fucile si ricaricherà automaticamente e il percussore si riarmerà. Ripetere questa procedura fino a esaurire tutti i colpi.

**NOTA:** *L'otturatore non si blocca in posizione aperta dopo lo sparo dell'ultimo colpo.*

- Per disarmare il BXR, spostare l'otturatore in posizione posteriore e bloccarlo in posizione aperta mediante il meccanismo di bloccaggio. Rimuovere il caricatore sganciabile tirando o premendo in avanti la leva di sgancio. (Fig. 8.1)
- Controllare che non siano presenti cartucce nella camera.



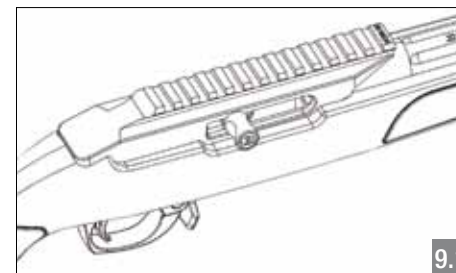
### Avvertenza di sicurezza:

*Se sospetta che la cartuccia sia difettosa e che il proiettile sia ancora nella camera, rimuovere l'otturatore e verificare. Se il proiettile è incastrato, non cercare di rimuoverlo sparando di nuovo: la pressione che si crea potrebbe distruggere l'arma, causando lesioni al tiratore. Cercare di spingere il proiettile fuori con uno scovolo o una bacchetta metallica di altro tipo potrebbe seriamente danneggiare l'anima della canna. Consegnare l'arma a un armaiolo qualificato o contattare l'Assistenza clienti di Bergara.*

## 9. INSTALLAZIONE DEL MIRINO TELESCOPICO

Il BXR è dotato di una guida 30 MOA Picatinny integrata nel castello (Fig. 9.1). Utilizzare corone di altezza appropriata per far sì che il mirino telescopico venga installato correttamente.

Quando si installa la corona del mirino telescopico, è consigliabile utilizzare un prodotto frenafilotti analogo a Loctite® 242, per evitare sovrappressioni, che il mirino telescopico si allenti col passare del tempo per l'azione del rinculo.



Per installare il mirino telescopico seguire le istruzioni fornite dal produttore.

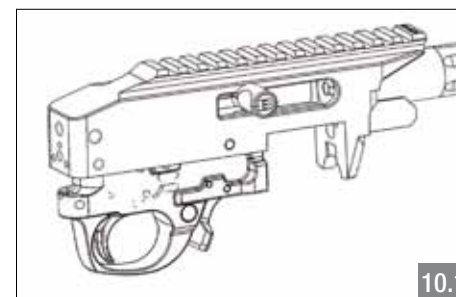
### Avvertenza di sicurezza:

*Indossare sempre occhiali di protezione quando si spara. Non installare il mirino telescopico troppo vicino all'occhio. Durante il movimento di rinculo il mirino telescopico può colpire il viso del tiratore e causare lesioni. Come consiglio pratico, controllare che tra l'occhio e il mirino telescopico sia possibile inserire una mano chiusa a pugno. Se il mirino telescopico è troppo vicino all'occhio, farlo scorrere in avanti o sostituirlo con uno che offra una luce maggiore.*

## 10. REGOLAZIONE DEL PESO DI SGANCIO DEL GRILLETTO

Il BXR non è dotato di un meccanismo di regolazione del grilletto.

Il peso del grilletto viene preimpostato in fabbrica. (Fig. 10.1)



### Avvertenze di sicurezza:

*Il BXR è compatibile con numerosi grilletti 10/22 del mercato post-vendita. Se sceglie di utilizzare un grilletto alternativo, è consigliabile consegnare l'arma e i grilletti alternativi a un armaiolo qualificato per l'installazione e per verificare che funzionino correttamente. Il grilletto può essere regolato unicamente in fabbrica. L'uso di un grilletto troppo leggero può causare uno sparo accidentale.*

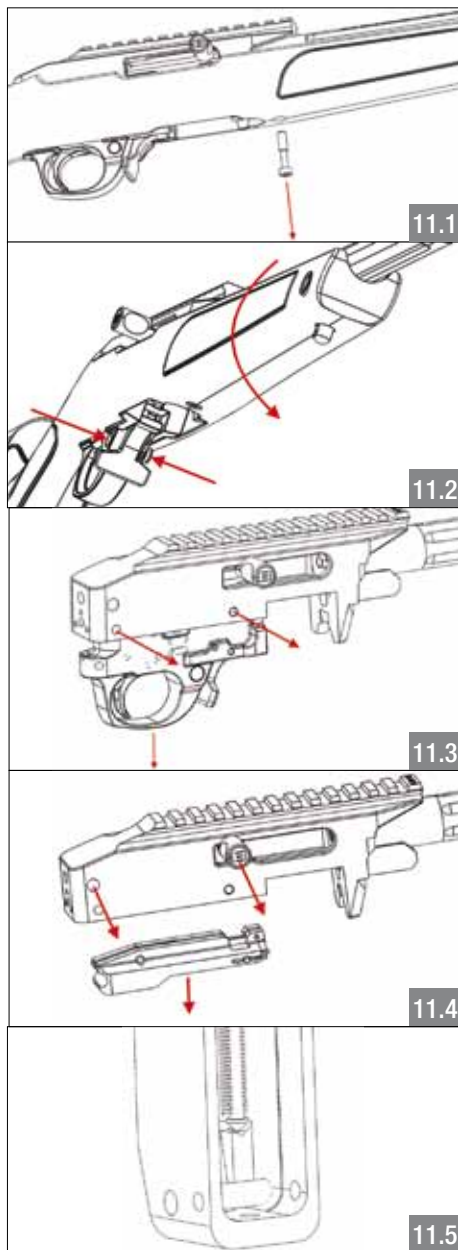
## 11. SMONTAGGIO

Per pulire o ispezionare l'arma, seguire la procedura descritta di seguito:

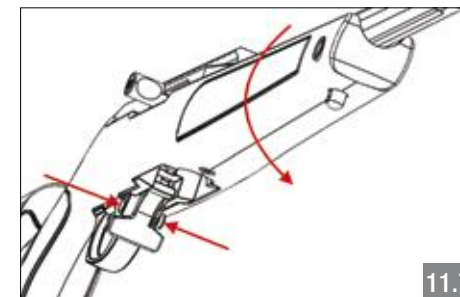
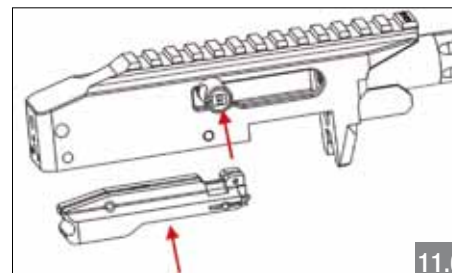
- Disarmare il fucile rimuovendo il caricatore.
- Spostare l'otturatore in posizione posteriore e assicurarsi che non vi siano cartucce nella camera.
- Allentare la vite del calcio. (Fig. 11.1)
- Mettere la sicura in posizione centrale e rimuovere il calcio. (Fig. 11.2)
- Rimuovere i perni del guardamano e rimuovere il gruppo grilletto. (Fig. 11.3)
- Rimuovere il perno di arresto dell'otturatore, portare e tenere l'otturatore in posizione arretrata e rimuoverlo. (Fig. 11.4)

Per riassemblare il fucile, seguire la procedura descritta di seguito:

- Collocare la leva dell'otturatore e il gruppo molla nel castello. L'estremità dell'astina di guida della molla deve essere alloggiata nella posizione mostrata in figura. (Fig. 11.5)
- Tirare la leva dell'otturatore all'indietro fino a portarla in posizione completamente arretrata e collocare l'otturatore sopra la leva. (Fig. 11.6)
- Premere l'otturatore spingendolo nella sede. La leva dell'otturatore deve essere alloggiata nella tacca della parte superiore dell'otturatore.
- Far scivolare in avanti l'otturatore.
- Inserire l'ammortizzatore di rinculo nel castello.



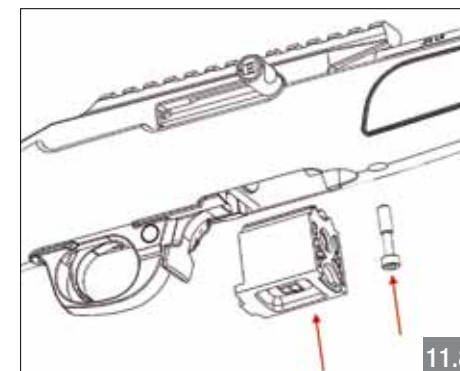
## 11. SMONTAGGIO



- Installare il gruppo grilletto e inserire i due perni di bloccaggio.
- Portare la sicura in posizione centrale e montare la canna e il castello sul calcio. (Fig. 11.7)

**NOTA:** Il castello deve essere inserito leggermente più avanti rispetto alla sua posizione normale e spostato all'indietro mentre viene abbassato nella sede.

- Serrare la vite del calcio fino a una coppia di circa 30-pollici per libbra. (Fig. 11.8)



## 12. PULIZIA E MANUTENZIONE

La manutenzione del fucile BXR è piuttosto semplice. Questa sezione fornisce tutte le informazioni necessarie per mantenere il fucile in buono stato.

È pertanto raccomandabile pulire regolarmente le parti indicate di seguito, specialmente dopo un giorno trascorso a caccia o al poligono (fare sempre riferimento alle istruzioni fornite dal produttore dei prodotti chimici utilizzati).

È consigliabile pulire il fucile BXR dopo i primi 100 colpi e ogni 200-300 colpi successivi

**NOTA:** Il tiro con silenziatore aumenta la pressione posteriore oltre che l'accumulo di impurità nel castello e nella zona dell'otturatore; se durante il tiro con silenziatore si verificano malfunzionamenti durante il ciclo o lo sparo, pulire accuratamente la zona del castello dell'otturatore e della camera.

## 12. PULIZIA E MANUTENZIONE

### Canna

L'alta qualità della canna da fucile Bergara richiede una manutenzione particolare per preservarne la precisione. Raccomandiamo di seguire le procedure elencate di seguito:

- La corretta direzione di pulizia è dalla camera di cartuccia alla volata. La pulizia della canna in direzione opposta può provocare usura eccessiva sulla volata, influenzando in modo serio e permanente l'accuratezza del fucile. Sulla parte posteriore del castello è presente un foro di accesso per il passaggio dello scovolo per la pulizia nella canna. Smontare il fucile utilizzando le istruzioni riportate nel paragrafo 11.
- Se possibile, utilizzare uno scovolo di qualità in modo da non danneggiare l'anima della canna.
- Utilizzare prodotti adatti per la pulizia in modo da prolungare la vita utile della canna.
- Far scorrere una toppa asciutta di dimensioni adeguate (un pezzo di tessuto quadrato) lungo la canna, rimuovere l'otturatore e controllarlo, per espellere le impurità presenti.
- Successivamente, far scorrere una toppa imbevuta di solvente lungo l'anima, fino a rimuovere il grasso e lo sporco dall'anima e dalla camera.

**NOTA:** È consigliabile seguire le istruzioni per l'uso del produttore.

- Cercare di evitare l'accumulo di rame, piombo o impurità nell'anima, perché potrebbe ridurre in modo significativo l'accuratezza.

**IMPORTANTE:** Potrebbero verificarsi problemi durante l'estrazione se non si utilizza un solvente per rimuovere le impurità dall'apertura all'estremità della canna, anche in corrispondenza dell'apertura dell'estrattore.

- Utilizzare una spazzola in bronzo o in nylon di alta qualità per la pulizia dell'anima della canna. Non utilizzare spazzole in acciaio inossidabile.
- Dopo la pulizia dell'anima della canna, applicare una toppa imbevuta di olio per armi per prevenire la ruggine. Passarvi un panno asciutto prima di sparare per rimuovere l'olio e non danneggiare l'anima della canna.

**IMPORTANTE:** È consigliabile lubrificare leggermente l'interno della canna e le superfici esterne in metallo del fucile dopo la pulizia. Prima di sparare nuovamente, far scorrere una toppa asciutta lungo la canna per rimuovere l'olio in eccesso. Residui di olio all'interno della canna possono causare sovrappressione al momento dello sparo.

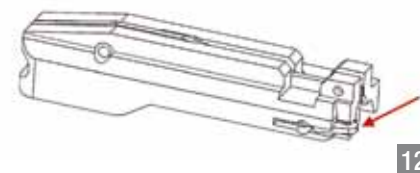
- Verificare che la sommità della canna sia integra, in quanto eventuali danni possono pregiudicare gravemente la precisione dell'arma.

### Castello e Otturatore

- Pulire tutto l'otturatore e l'interno del castello con un panno impregnato di un prodotto per la pulizia di armi adatto a rimuovere i residui.
- Pulire la superficie dell'otturatore e l'estrattore con una spazzola. Inoltre, pulire l'area esposta del meccanismo di sparo.

## 12. PULIZIA E MANUTENZIONE

- Il corpo dell'otturatore e la leva dell'otturatore devono essere lubrificati. Applicare regolarmente una goccia di olio adatto sull'estrattore (Fig. 12.1) per mantenere sempre presente uno strato molto sottile di olio. Tenere tuttavia presente che una quantità eccessiva di olio potrebbe "impastare" il funzionamento del meccanismo dell'otturatore.

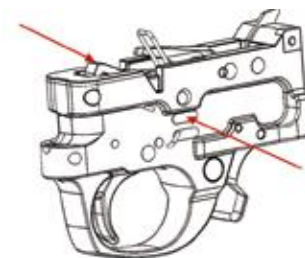


12.1

- Pulire e lubrificare la leva dell'otturatore e il gruppo molla leggermente.

### Calcio

- Per rimuovere la polvere dall'esterno è possibile utilizzare una spazzola.
- Pulire il calcio in materiale sintetico con un panno in microfibra umido.



12.2

- Evitare che solventi di pulizia e altri prodotti chimici vengano a contatto con il calcio. Alcuni prodotti chimici potrebbero danneggiare la verniciatura

**NOTA:** Evitare l'uso di repellenti per insetti contenenti DEET in quanto potrebbero deteriorare la finitura del calcio.

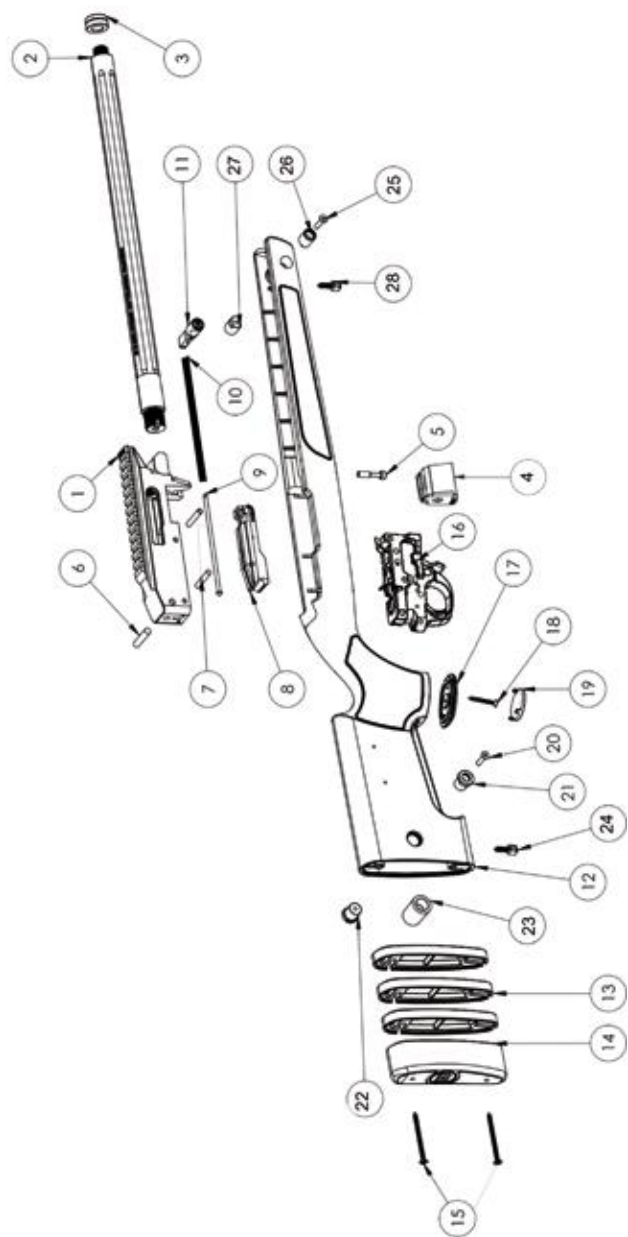
### Grilletto

- Il grilletto deve essere lubrificato regolarmente per garantire una manutenzione e un funzionamento adeguati. (Fig. 12.2)
- È consigliabile spruzzare uno strato sottile di lubrificante liquido.

## 13. CUSTODIA

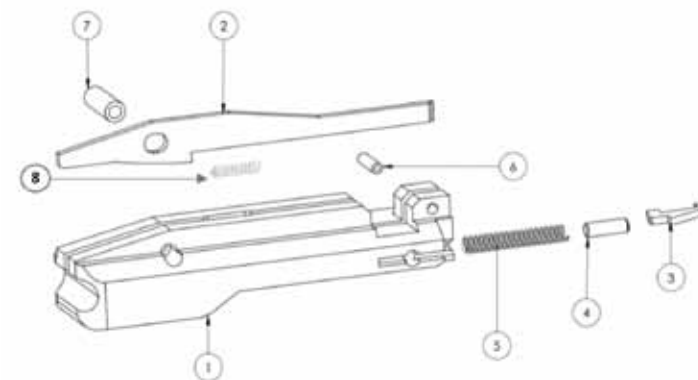
- Custodire il fucile in una cassaforte sicura, che disponga di un sistema per ridurre l'umidità relativa.
- Di tanto in tanto, rimuovere il fucile dal luogo in cui viene custodito e pulirlo.
- Seguire la normativa locale in vigore per la custodia delle armi da fuoco.
- Se si intende custodire il fucile in un espositore portafucili per un lungo periodo di tempo, riporlo scarico e con la molla del percussore in posizione di riposo, cioè non compressa.
- Lasciare uno strato sottile di olio protettivo sulle superfici in metallo per proteggerle ulteriormente dalla corrosione.

## 14. DESCRIZIONE



## 14. DESCRIZIONE

ITEM N°	DESCRIZIONE	ITEM N°	DESCRIZIONE
1	Castello	15	Viti del cuscinetto antirinculo
2	Canna	16	Gruppo grilletto
3	Tappo filettato	17	Tappo per la presa
4	Caricatore	18	Vite di fissaggio del tappo per la presa
5	Vite del calcio	19	Copertura del tappo per la presa
6	Perno del cuscinetto	20	Vite del tappo a raso
7	Perni del grilletto	21	Tappo a raso destro / posteriore
8	Otturatore	22	Tappo a raso sinistro / posteriore
9	Guida della molla antirinculo	23	Cuscinetto del calcio
10	Molla antirinculo	24	Tappo a raso
11	Leva dell'otturatore	25	Vite del tappo a raso
12	Calcio	26	Tappo a raso destro / anteriore
13	Distanziatore	27	Tappo a raso sinistro / anteriore
14	Cuscinetto antirinculo	28	Perno a snodo della cinghia



1	Corpo dell'otturatore	5	Molla del tappo dell'estrattore
2	Percussore	6	Perno a rullo del percussore (anteriore)
3	Estrattore	7	Perno a rullo del percussore (posteriore)
4	Tappo dell'estrattore	8	Molla del percussore (estremità a cono sul lato posteriore dell'otturatore)

## 15. GARANZIA

Per le richieste relative alla garanzia contattare tramite posta elettronica i seguenti indirizzi:

**Info@bergararifles.com**

Per gli Stati Uniti:

**contact@bergarausa.com**

O per posta ordinaria i seguenti indirizzi:

**Bergara North America**

BPI Outdoors  
1270 Progress Center Ave. Suite 100  
Lawrenceville, GA 30043

Per tutti i paesi eccetto USA/Canada:

**DIKAR S. Coop**

Ugarte, 26  
20570 Bergara - Gipuzkoa (Spain)

Si garantisce che il fucile Bergara BXR è privo di difetti di fabbricazione per tutta la durata della sua vita utile. Questa garanzia è valida per il primo acquirente e non è trasferibile. Inoltre, non copre i danni derivanti dalla normale usura, le finiture in legno o metallo, l'uso improprio, i danni alle cose, i costi di eventuali problemi o la perdita della funzionalità dell'arma.

La presente garanzia conferisce alcuni diritti legali che possono variare a seconda dei paesi. In aggiunta alle situazioni che comportano l'annullamento della garanzia già menzionate nelle diverse sezioni di questo manuale, esistono altri fattori che annullano la garanzia, tra cui viene custodito e pulirlo:

- Modifiche e/o interventi di riparazione non autorizzati
- Restituzione del fucile in condizioni non idonee (presenza di sporcizia, corrosione ecc.)
- Utilizzo di munizioni non adeguate (ad esempio munizioni militari, munizioni ricaricate, munizioni non autorizzate da CIP o da SAAMI)
- Danni connessi al mancato rispetto delle istruzioni contenute in questo manuale

Il fucile è identificato da un numero di serie riportato sul fianco del castello.

**IMPORTANTE: in caso di restituzione, controllare con attenzione che il fucile non sia carico!**

**B BERGARA**

### ASSISTENZA CLIENTI INTERNAZIONALE:

**BERGARA**

**DIKAR S. Coop**

Ugarte, 26  
20570 Bergara - Gipuzkoa (Spain)  
Tel.: +34 943 769 893  
info@bergararifles.com  
www.bergararifles.com  
Facebook: Bergara Rifles Europe  
Youtube: bergarainternational

### ASSISTENZA CLIENTI USA/CANADA:

**Bergara North America**

BPI Outdoors  
1270 Progress Center Ave. Suite 100  
Lawrenceville, GA 30043  
800 320-8767  
www.bergarausa.com  
contact@bergarausa.com  
Facebook: Bergara USA  
Youtube: Bergara US





**BERGARA®**  
OUR BARRELS MAKE THE DIFFERENCE

## **BERGARA NORTH AMERICA**

BPI Outdoors  
1270 Progress Center Ave. Suite 100  
Lawrenceville, GA 30043

[www.bergarausa.com](http://www.bergarausa.com)  
[contact@bergarausa.com](mailto:contact@bergarausa.com)



Bergara USA



Bergara US



bergara\_rifles



bergarausa