

Daystate



W  **LVERINE | R**
OFFICIAL HANDBOOK

ALL MODELS

daystate.com

Safety & general information	2
Filling your air rifle with compressed air	3
Loading your rifle – single shot	4
Loading the Daystate multi-shot magazine	4
Fitting a scope	5
How to 'zero' a scope.....	5
Recommended maintenance	6
Trigger adjustment	7
Exploded view technical diagrams	8
Warranty.....	10
Pellet recommendations	11

- Never point your airgun at anyone or anything other than a legitimate target.
- Always check that your airgun is not loaded when you first pick it up.
- Always treat your airgun as if it was loaded, even if you know it's not.
- Never shoot on land where you do not have permission to shoot.
- Always use a safe, large backstop to catch your pellets - and pay due attention to what's behind it, should you miss.
- Never leave your airgun unattended.
- Always store your airgun and pellets separately and securely so that no unauthorised person can use them.
- Know and abide by the laws relating to airguns.

Congratulations on choosing a Daystate air rifle.

Your rifle has been hand assembled using the finest materials available, from parts precision made using CNC engineering technology. This rifle is the culmination of Daystate's involvement with pre-charged air rifles and uses knowledge gained from manufacturing this type of air rifle for four decades, making your Daystate one of the most accurate and reliable rifles available today. Use this handbook to get the best from you rifle.

Further information that includes more detail on the topics covered can be found online at www.daystate.com/support under the online handbook. Daystate also has an active and owners club which is free to join and can be found online at daystateownersclub.com



Filling Your Rifle With Compressed Air

Note: Do not use any other gas than clean, dry compressed AIR.

- Remove the dust cap from the rifle's charging connector and attach the female snap-on charging connector onto the inlet valve. Ensure that the outer sleeve is fully forward and that the connection is secure.
- Check that the bleed screw on the charging unit is closed and open the feed valve on the air bottle. Compressed air will now fill the reservoir.
- The Wolverine R is fitted with two pressure gauges. The Daystate gauge measures cylinder pressure, while the gauge marked 'Huma' indicates the factory preset regulator pressure. The maximum user filling pressure (SWP) is printed on a small disc at the front left of the breechblock.
- Close the feed valve.
- Sharply open the bleed valve on the charging unit and bleed off the air from the filler hose.
- Remove the snap-on connector and replace the dust cap.

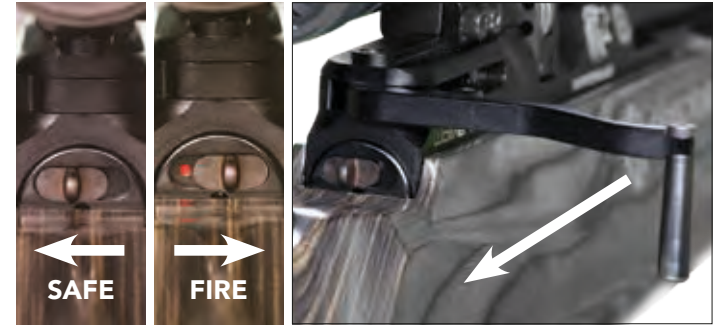


Loading Your Rifle - Single Shot and Multi-Shot

REMEMBER TO KEEP THE MUZZLE OF THE AIR RIFLE POINTING IN A SAFE DIRECTION AT ALL TIMES

SINGLE SHOT

- Apply the safety catch (slide to left)
 - Cock the action by fully drawing back the sidelever
 - If required, slide out the magazine and insert the supplied single shot tray into the breach block, with the locating pins to the rear. The tray uses magnets to hold it in place
 - Check that the pellet is not deformed and using the trays channels a guide, manually seat the pellet nose first into the barrel
 - Return the sidelever forward to fully seat the pellet
- THE RIFLE IS NOW COCKED AND LOADED**



MULTI-SHOT MAGAZINE

- Apply the safety catch (slide to left)
- Cock the action by fully drawing back the sidelever
- If necessary, lift out the single shot tray magazine removal and loading
- Remove the magazine from the right side of the breech
- Open the front-loading gate of the magazine to expose the chambers of the inner drum
- Rotate the inner drum clockwise until it stops, and while loading it against spring tension, insert a pellet nose first into the lowest chamber
- Load the remaining empty chambers with pellets nose first, and then close the gate. Note-the magazines capacity varies according to the calibre supplied
- Slide the loaded magazine back into the breech from the right side
- Return the sidelever to fully close position to chamber the first pellet

THE RIFLE IS NOW COCKED AND LOADED

- Disengage the safety catch (slide to the right) and the rifle is ready to fire
- After the shot is taken, operating the sidelever will cock the rifle and allow the magazine to automatically index. The next pellet will be chambered on the sidelevers return

Notes:

The magazine will index each time the sidelever is cycled, to avoid a double load, do not recycle the sidelever without having first fired the rifle.

Rifle can be dry fired with no pellet in the breech without any mechanical damage occurring, provided there is still air in the rifle



See p11 for manufacturers pellet recommendations

Switching Sidelever Positions

On Wolverine R, the cocking lever is factory set for right or left hand use, and is not user changeable. Please contact your local Daystate agent should you require cocking lever changeover.

Fitting a Rifle Scope



ATTACHING THE MOUNTS

Daystate recommend the use of Blueprint Mounts.

- Loosely fix one mount to the dovetails on the front section of the breech block and the other on the rear **ALIGNING THE CROSSHAIR** In order to perfectly align the sight, you will need either a gun-vice or 'Workmate' to hold the rifle firm and level.
- Place the gun-vice on a firm and level surface
- Clamp the rifle, making sure not to damage the stock
- Place one spirit level across the flat part of the breech block and adjust the rifle until it is level
- Look through the sight and, without moving the rifle, rotate the scope until the vertical crosshair aligns with a vertical plumb line. Tighten all scope mount screws and double check vertical alignment.

TO ZERO THE RIFLE

- Set up a large paper target, with a safe and suitable backstop at around 10 metres
- Fire a test shot at this distance. If the pellet strikes close to your point of aim, note its position. (Note: If the shot strikes lower than 5 inches (125 mm), then you will need to adjust the mounts or shim up the rear scope mount*)
- Using the elevation and windage turrets on the scope, adjust until the centre of the crosshair and the pellets' point of impact coincide
- Now move the target to your chosen primary shooting distance (zero range) and fine-tune the scope's zero in the same manner

**Daystate recommend the use of adjustable mounts, such as the Blueprint adjustable mounts shown. If this type of mount is not available, it is common to have to raise a scope by placing a shim in the rearmost mount, between the base of the rear cradle and the scope tube. A shim should be no more than 0.3mm thick to avoid stressing the scope. Suitable material is old film negative, lead tape (used for weighing golf clubs) or aluminium foil folded to the required thickness*

STOCK REMOVAL

First remove the filler dust cap. A single 5mm bolt secures the stock.

BUTT-PAD ADJUSTMENT

The butt pad is adjustable for up and down as well as cast (left and right) You will need a 5mm and 2.5mm allen key.

Recommended Maintenance

Precharged pneumatic air rifles contain extremely high pressures and can be dangerous if not serviced correctly, all work should be carried out by a Daystate factory trained gunsmith. Correct maintenance will ensure a long, trouble-free life. Daystate recommends that the rifle be returned to the factory or your Daystate-approved servicing agent for routine maintenance every three years.

BARREL CLEANING

For optimum performance, the barrel should be periodically cleaned with a barrel cleaning solution recommended for air rifles, or a pellet lubricant. Daystate also advises the use of a lubricant applied to the pellets to reduce lead deposits and maintain the barrel. Frequency of cleaning depends on the pellet type used and the individual barrel; for general guidance, the barrel should be cleaned after every 500 shots.

AIR RESERVOIR

The Wolverine R can be supplied with a 'buddy-bottle' pressure bottle in Carbon Fibre or Aluminium or an aluminium air tube, all types will withstand pressures many times the working pressure of the rifle. The air bottle or tube should be replaced every 10 years as part of the rifles regular maintenance.

ACTION

To keep the rifle clean, a suitable gun cleaner or oil can be applied to a cloth and used to wipe over the outside of the gun. DO NOT allow oil to ingress into the internals of the rifle.

STOCK

Periodically rub in a good quality stock oil to maintain the finish of walnut and in the grip area on laminate stocks. furniture polish is recommended for all other areas of laminated stocks.

LUBRICATION

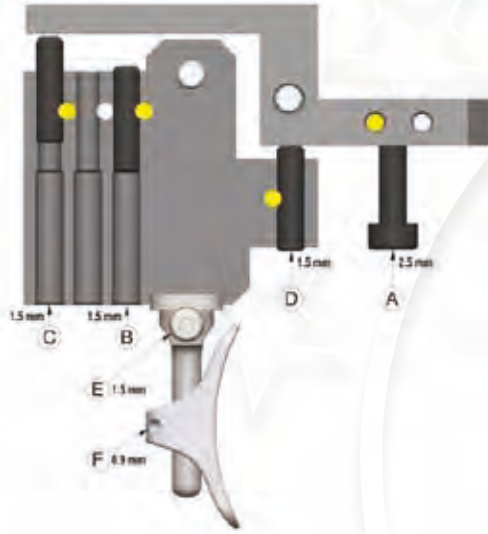
Periodically, the bolt shaft and sidelever pivots should be sparingly lubricated with light grease or oil. The snap-on filling connector is factory lubricated with a special non-combustible grease. The connector can be maintained by wiping over with oil or grease but should be left dry.

USE OF HAND PUMPS

This type of charger offers an inexpensive and convenient method of charging your rifle. If you regularly use this type of charger, care should be taken to avoid condensation build-up from inside the pump being transferred to the air cylinder. Always refer to the pump manufacturer's operating instructions.

More servicing information can be found online at daystate.com/support and daystateownersclub.com

Trigger Adjustment



TWO-STAGE TRIGGER - Allen Key Size: 1.5mm

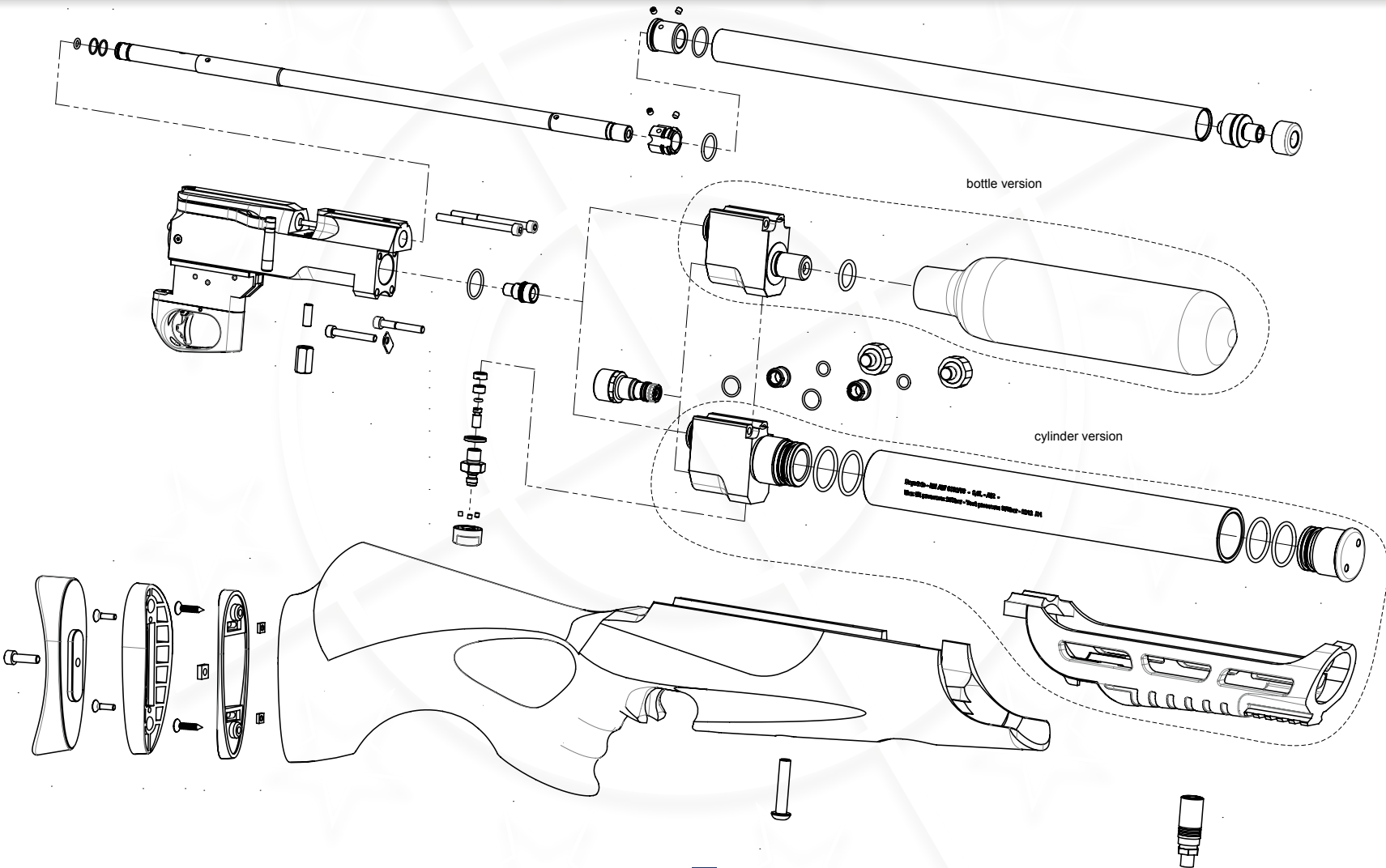
- (A) 2nd stage weight setting. To increase weight, turn screw anti-clockwise, or clockwise to lighten.
IMPORTANT: Do not adjust too far clockwise as rifle will not cock.
- (B) Do not adjust as safety may become inoperable.
- (C) 1st stage travel. Adjust anti-clockwise to increase travel, and clockwise to decrease.
- (D) Trigger post angle adjustment. Adjust anti-clockwise to increase forward angle, and clockwise for rearward.
- (E) Trigger post/blade position. This allows forward and rearward movement of trigger post and blade upon carriage.
- (F) Trigger blade angle and height adjustment screw. Allen Key size 0.9mm.

Note: Dependent upon setting changes, changing one adjustment may affect another setting. Only make small adjustments if unsure.

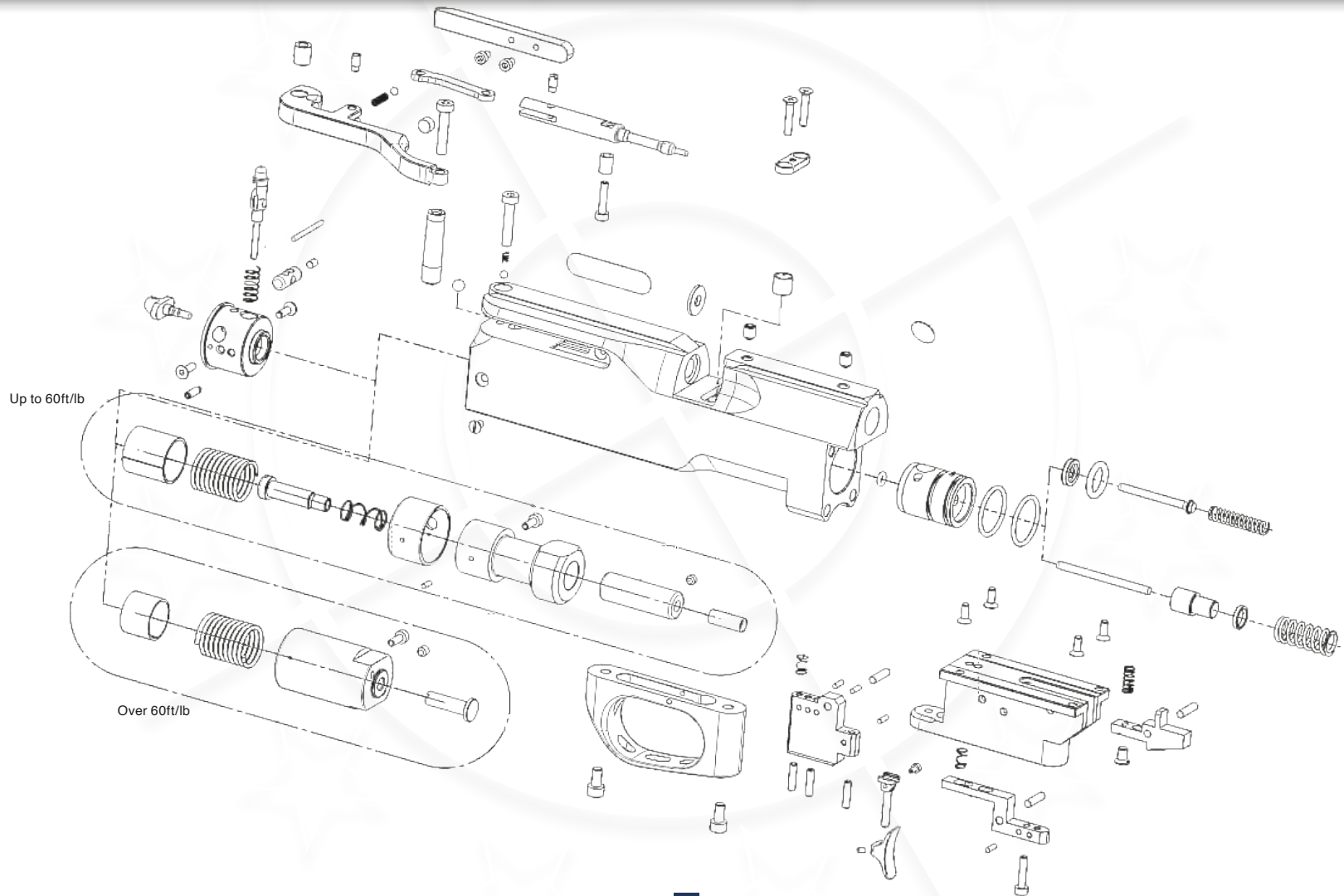
MORE INFORMATION

More detailed servicing and gun tuning information can be found online at daystate.com/support and daystateownersclub.com

General Assembly



Integral Breech Sub-Assembly



Your Daystate Warranty

3 YEAR WARRANTY

All new Daystate rifles are guaranteed against faulty parts and labour for a period of three years from date of purchase (proof of purchase required). After this period, it is recommended that the rifle be returned to Daystate or its authorised agent for a scheduled service, and every three years subsequently. Servicing is charged at current rates. The warranty applies to the first purchase of a new rifle and is not transferable.

EXCLUDED FROM WARRANTY

Failure due to misuse or abuse, the fitting of non-standard parts, springs, seals, water damage to wooden stocks, batteries and fair wear and tear. Daystate Ltd or its approved agent must carry out all maintenance and warranty work. The rifle must be maintained and used as outlined in this Instruction Manual. Should a rifle be returned or collected under warranty, Daystate or its approved agent reserve the right to charge for postage and inspection costs.

RETURNING YOUR RIFLE

A return form, which should be included with the rifle, can be downloaded here:

daystate.com/images/reviews/RifleReturnForm.pdf

Ensure that the rifle is securely packed. Where possible, please remove stock, scope and other accessories to avoid the possibility of transit damage.

Whilst every effort is taken to ensure the accuracy of the information in this instruction manual, Daystate Ltd or its agents cannot be held responsible for errors or omissions. Products are continually updated and specification may change without notice.

View the online handbook at: **daystate.com/support** for the latest information.

Pellet Recommendations

RECOMMENDED PELLET TYPES:

12 ftlb

Rangemaster Kaiser .177, .22

Rangemaster Sovereign .177, .22

Rangemaster Sovereign Hunter .177, .22

30 ftlb

Rangemaster King .177, .22, .25

60 ftlb

Rangemaster Emperor .22, .25, .30

Rangemaster Juggernaut .22, .25



Daystate



daystate.com

Daystate Ltd. Unit 3, Raleigh Hall Industrial Estate, Eccleshall, Staffordshire ST21 6JL

©Daystate Ltd. 2021.v1. E&OE