



***SNOWPEAK***<sup>®</sup>

S I N C E 1 9 7 6

**OWNER'S MANUAL  
For MAT300**

**Thank you for choosing Snowpeak. Play safely with all our PCP guns.**

**PLEASE READ ALL INSTRUCTIONS AND WARNINGS IN THIS MANUAL BEFORE HANDLING OR SHOOTING THIS AIR RIFLE. ALWAYS USE CAUTION WHEN OPERATING THIS AIR RIFLE. BUYER AND USER SHOULD HAVE THE DUTY TO OBEY ALL LAWS ABOUT THE USE AND OWNERSHIP OF THIS AIR RIFLE. AND REMEMBER THIS AIR RIFLE IS HIGHLY POWERED AND INTENDED FOR ADULT USE ONLY.**

**⚠ WARNING:** Not a toy. This air rifle is intended for ADULT USE ONLY. Misuse or careless use may cause serious injury or death.

**⚠ WARNING:** DO NOT brandish or display this air rifle in public --- it may confuse police and others thinking it is a firearm. DO NOT change the color and markings to make it look more like a firearm. That is dangerous and may be criminal.

**⚠ WARNING:** WHATEVER THE CONDITION IS, NEVER POINT THIS AIR RIFLE AT ANYONE EVER.

**⚠ WARNING:** Lead pellets. Do not inhale dust or put pellets in mouth. Wash hands after handling. This product contains lead, a chemical known to public to cause cancer and birth defects (or other productive harm).

**⚠ WARNING:** Use only compressed air in this air rifle. Use no other gases --- including oxygen, which can cause a fire or explosion that may result in serious injury or death.

**⚠ WARNING:** This air rifle could fire when dropped or jarred, with or without the safety engaged.

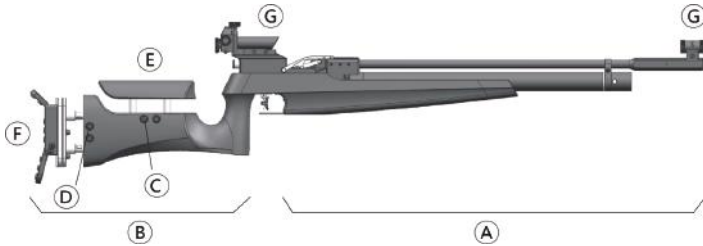
**⚠ CAUTION**

Failure to follow the instructions and recommendations in this owner's manual may result in bodily injury including face, eye, and ear injury, blindness, or deafness.

Before using your new air rifle check if it is fully charged and abide the below basic safety rules:

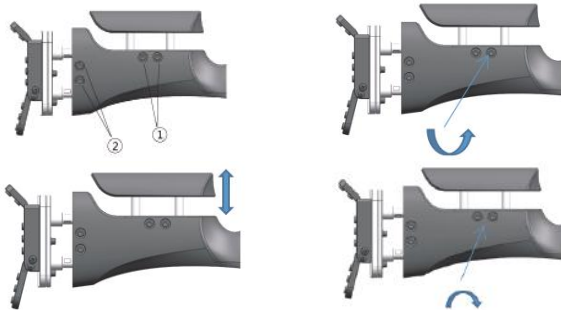
1. Treat every rifle as it is loaded.
2. Never point the rifle at anyone, or allow anyone to point a rifle at you, even if you know it is not loaded.
3. Always carry the rifle so that the direction of the muzzle is under control, even if you stumble.
4. Always be sure of your target and what lies behind it before firing your rifle.
5. Never leave a loaded rifle unattended.
6. It is recommended that eye & ear protection is worn when charging the cylinder and shooting.
7. You and others with you MUST always wear shooting glasses to protect your eyes. If you wear reading glasses the lenses must be certified for impact resistance or you should wear safety glasses intended for use over normal optical reading glasses.
8. Always keep your finger off the trigger and out of the trigger guard until ready to shoot.
9. Never look down the muzzle of an air gun.
10. Always keep the air gun "ON SAFE" until you are ready to shoot.
11. Always check to see if the airgun is "ON SAFE" and unloaded when getting it from another person or from storage.
12. Do not shoot at fragile objects such as windows.
13. Do not attempt to disassemble or tamper with your air gun, Unauthorized repairs or modifying the function of your air gun in any way may be unsafe and will void your warranty.
14. Before storing your air gun, make sure it is unloaded and the air gun is "ON SAFE".

## LEARN THE PARTS OF THIS GUN

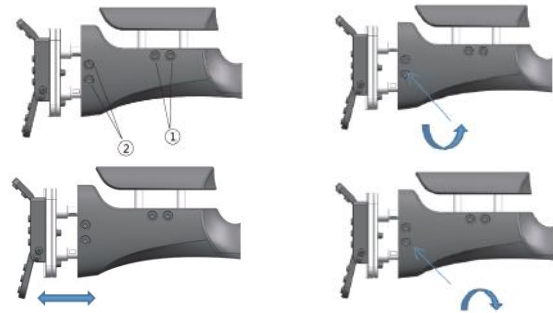


- A. Front stock
- B. Rear stock
- C. Adjustment mechanism cheek piece
- D. Adjustment mechanism butt plate
- E. Cheek piece
- F. Butt plate
- G. Sighting device(rear sight and front sight)

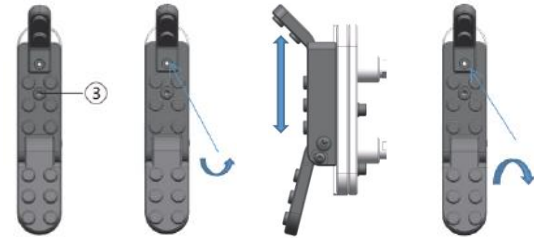
### Cheek piece



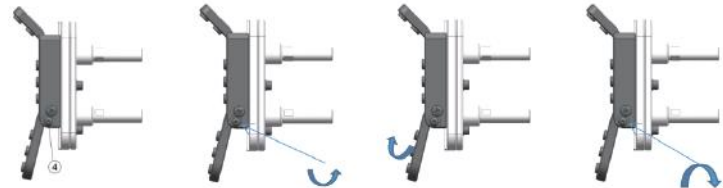
Loose Screw① in a counterclockwise direction first, then adjust the elevation of cheek piece to the proper position, after that tighten Screw① in a clockwise direction.



Loose Screw② in a counterclockwise direction first, then adjust the windage of butt plate to the proper position, after that tighten Screw② in a clockwise direction.

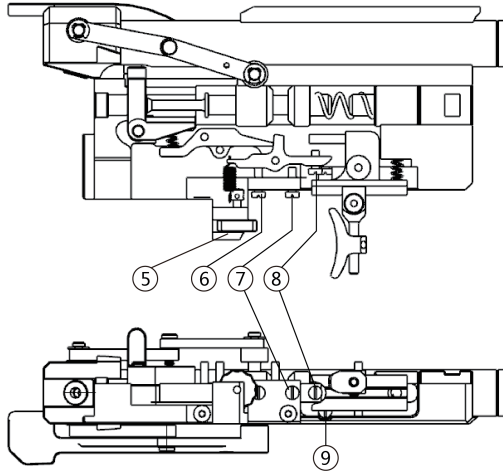


Loose Screw③ in a counterclockwise direction first, then adjust the elevation of butt plate to the proper position, after that tighten Screw③ in a clockwise direction.



Loose Screw④ in a counterclockwise direction first, then adjust the angle of butt plate to the proper position, after that tighten Screw④ in a clockwise direction.

### Trigger Component



#### Trigger slack weight

Turning the knurled ring ⑨ to the left, will increase the trigger slack weight, and turning to the right will reduce it.

#### Rigger point weight

Turning the knurled ring ⑤ to the left, will reduce the trigger point weight, and turning to the right will increase it.

#### Adjusting screw for trigger point weight

The trigger point weight can be adjusted with the adjusting screw into two stages.

#### Weight approx.90-200g

Screw in the adjusting screw ⑧ until stop.

#### Weight approx. 30-90g

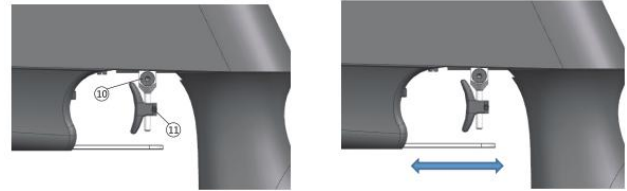
Unscrew the adjusting screw ⑧ for about 1 turn.

#### Trigger slack

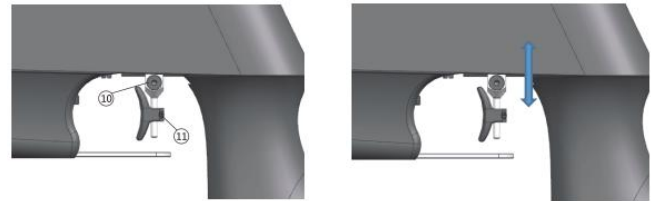
Turning the screw ⑦ to the right, will increase the trigger slack and turning to the left will reduce it.

#### Trigger point

The trigger point is carefully adjusted at factory.  
Do not alter setting of screw ⑥.



Loose Screw⑩ in a counterclockwise direction first, then adjust the front and rear position of trigger to the proper position, after that tighten Screw⑩ in a clockwise direction.



Loose Screw11 in a counterclockwise direction first, then adjust the elevation of trigger to the proper position, after that tighten Screw11 in a clockwise direction.

## Cocking Lever

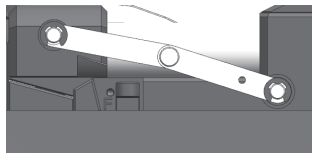


Fig. 1

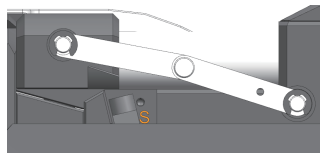
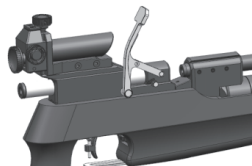


Fig. 2

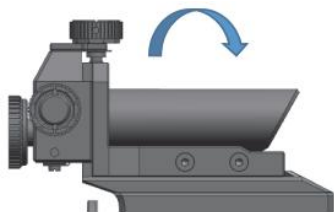
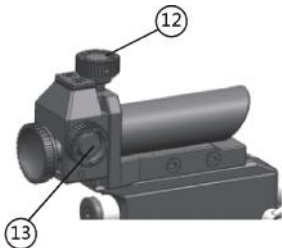
See Fig. 1, the safety is off. See Fig.2, the safety is on.

## Receiver

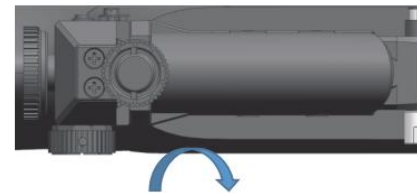


Pull the cocking bolt up in arrow direction. Load the pellets, then pull the bolt back.

## Rear Sight Adjustment



Turn the Knob 13 in a clockwise direction, the rear sight will move to the right.



Turn the Knob 12 in clockwise direction, the rear sight will move upwards.

## MAINTENANCE

**⚠ WARNING:** Never shoot the air pistol when the air cylinder is empty. Failure to obey this instruction could result in damage to your air pistol. Never lubricate inside the barrel as this may affect the shooting accuracy and firing intensity in negative manner.

### Lubricating and Cleaning

Every 3 months or 1000 shots apply mineral oil sparingly to the following parts:

- The surface of valve pin
- The seal of loading port

It is recommended to clean the barrel with a cleaning rod every 3 months or every 1000 shots. Never lubricate inside the barrel.

Before you begin oiling or cleaning your air rifle, always check to make sure it is unloaded.

Always be sure your air rifle barrel is clean and not blocked.

After cleaning ensure that no cleaning patch or other obstruction remains in the barrel.

Annually, take your air rifle to a gunsmith even if it seems to be working well, since some issues in your air rifle may not be apparent from external examination.

Take your air gun to a gunsmith if water, sand, etc. enters the internal mechanism of the air gun, for complete cleaning.

Dangerous conditions may occur if you do not keep your air gun clean and working properly.

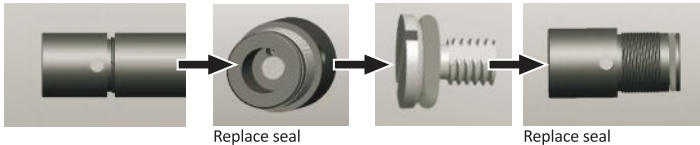
### **Quick Fill Adaptor Seal Replacement**

After a period of time, the fill adaptor seals need to be replaced. The need for this will become noticeable if air is heard leaking at fill adaptor or the adaptor ejected from pistol fill hole when charging. Always ensure to replace both seals.

### **Intake Valve O-Ring Replacement**

After a period of time, the intake valve seal need to be replaced. Once air is heard leaking from intake valve, it is the sign of immediate replacement of the intake valve seal.

- Make sure there's no residual high pressures air in air reservoir, and wait until gauge needle points ZERO.
- The followings are replacement procedures of intake valve seal.  
Dismantle the intake valve.  
Remove intake valve screw and the used seal, and replace it and re-assemble.
- Make sure all the threads are screwed in during the assembly.
- It is recommended to seek a competent gunsmith for help to replace seal. If you need to replace it yourself,



### **SAFETY MEASURES & WARNINGS**

- This air pistol will shoot if cocked, loaded and trigger pulled.
- Air guns are not toys. Never let young children use an air gun unsupervised. Adult supervision is strictly required during use. Misuse or careless use may cause serious injury or death.
- Learn how your air gun operates and safe air gun handling procedures before loading and using it.
- ALWAYS USE EYE & HEARING PROTECTION AND MAKE BYSTANDERS USE THE SAME. Failure to do so may result in eye injuries and permanent hearing loss.
- Do not point at anything you do not intend to shoot even though the air gun is unloaded. Always keep the air gun pointed in a safe direction.
- Never pull an air gun toward you by the muzzle.
- Always aim at a safe target, taking care that it does not conceal any other object.
- Before you shoot, consider where the pellet will travel should you miss your intended target, thus ensuring no damage or harm could result. Be sure of your target before you pull the trigger. Never shoot at sounds.

- When shooting, always have a safe shooting range, that is; have a safe area for shooting, a safe distance between you and the target, and a safe backstop to trap the pellets and hold the target.
- Do not shoot at a target, which allows ricochets or deflections. Do not shoot into or at water.
- Do not shoot at or near power lines or insulators. Be especially careful in wooded areas where power lines may not be as visible.
- Do not load the air gun until you are ready to shoot.
- Always keep your fingers away from the trigger & muzzle during cocking and handling.
- Do not run or jump when carrying a loaded or cocked air gun. A loaded or a cocked air gun should never be carried inside a vehicle, house, camp or public place. Never climb a tree or fence or jump a ditch with a loaded air gun. In such a case, first unload it and hand the air gun to a friend or place it on the ground on the other side of the obstacle before crossing yourself.
- When transporting the air gun, keep it unloaded.
- Do not put the air gun away loaded and unattended.
- Always check to see if the air gun is unloaded when getting it from another person or from storage.
- Always keep the air gun and/or pellets out of the reach of children. Keep the air gun and pellets in separate places, better if under lock and key.
- Do not attempt to disassemble or tamper with your air gun. Use a competent gunsmith. Many air guns contain powerful springs or high pressure air cylinders which can cause serious injury if released in an uncontrolled manner.
- Always handle and treat your air gun as though it were loaded.
- Improper use or handling of air guns is not the responsibility of the manufacturer or distributor, under any circumstances. The user is responsible for any harm, which may be caused.
- Think first, shoot second.
- Be safe not sorry. Respect other's property.
- Air guns should never be used under the influences of alcohol or drugs.

