



SAFETY & INSTRUCTION MANUAL

PDP PISTOLS



Read the instructions and warnings in this manual
CAREFULLY BEFORE using this firearm.

WALTHER ARMS, INC.

⚠ WARNING

READ THESE INSTRUCTIONS AND WARNINGS CAREFULLY. BE SURE YOU UNDERSTAND THESE INSTRUCTIONS AND WARNINGS BEFORE USING THIS FIREARM. FAILURE TO READ THESE INSTRUCTIONS AND TO FOLLOW THESE WARNINGS MAY RESULT IN SERIOUS INJURY OR DEATH TO YOU OR OTHERS AND DAMAGE TO PROPERTY.

This SAFETY & INSTRUCTION MANUAL should always accompany this firearm and be transferred with it upon change of ownership or when presented to another person.

A copy of the SAFETY & INSTRUCTION MANUAL is available FREE upon request from:

WALTHER ARMS, Inc.

Attn: Service Dept
7700 Chad Colley Boulevard
Fort Smith, AR 72916

Phone: 1-479-242-8500
E-mail: service@waltherarms.com
www.WaltherArms.com

Note: This manual refers to the use of the pistol by civilian users. Instructions for law enforcement use may differ from what is described in this manual.

Throughout this instruction manual, position designations such as "left," "right," "forward," "rear," and so on, are referenced to a pistol held in a normal firing position. In other words, pointed away from the shooter, barrel in a generally horizontal direction, and with the grip of the pistol pointing downwards.

Explanations in this manual are based on right hand operation. Left-handed users should operate vice versa.

Note that the illustrations in this manual are for explanation purposes and may differ from the actual gun.

DISCLAIMER OF LIABILITY: The first concern when handling any firearm is safety. The failure to do so may result in property damage, serious bodily injury or even death. WALTHER specifically disclaims any and all liability from anyone arising out of the use of this firearm and its accessory. Under no circumstances shall WALTHER be responsible for incidental or consequential damages with respect to economic loss or injury to person or property due to negligence, improper use, failure to following instructions in this manual, unsafe handling, failure to maintain the pistol, unauthorized replacement of parts, disregard of statutory rules or laws or any other modification to the pistol.

TABLE OF CONTENTS

1 YOUR SAFETY RESPONSIBILITIES	5
1.1 SAFETY IS YOUR NUMBER ONE RESPONSIBILITY	5
1.2 Safe Storage & Transportation	8
2 AMMUNITION	10
3 PRODUCT DESCRIPTION	12
3.1 Main Features	12
3.2 Functional Elements, Model Number Identification	12
3.2.1 Loaded Chamber Indicator	13
3.2.2 Magazine Release	14
3.2.3 Slide Stop	14
3.2.4 Magazine	14
4 PREPARATION FOR FIRING	15
4.1 Inspecting the Pistol	15
4.2 Loading	16
4.2.1 Loading the Magazine	17
4.2.2 Loading the Pistol	18
4.3 Firing the Pistol	19
4.4 Exchanging Magazines	20
4.5 Unloading the Pistol	21
4.6 Clearing Misfires	22
5 FIELD-STRIPPING, CLEANING, LUBRICATION AND MAINTENANCE	24
5.1 Main Components	24
5.1.1 Field-Stripping Disassembly	24
5.1.2 Field-Stripping Reassembly	26
5.2 Striker Assembly	27
5.3 Extractor	27
5.4 Magazine	29
5.5 Cleaning the Pistol	30
5.6 Lubrication	32
5.7 Maintenance Before Storing	33
6 ADJUSTING THE PISTOL TO ITS USER	34
6.1 Magazine Release	34
6.2 Grip	35
6.3 Lanyard Loop	35
6.4 Sights	36
7 LIMITED LIFETIME WARRANTY	40
8 CONTACT & SHIPPING	41
9 ACCESSORIES	42

WALTI



YOUR SAFETY RESPONSIBILITIES

1 YOUR SAFETY RESPONSIBILITIES

1.1 Safety is your number one responsibility!

At home, in the field, at the range, or anywhere, the first concern of every firearm owner should be safety. Apply the following safety rules in every situation, with any kind of firearm. If you feel uncertain about any operational aspects of your handgun, please contact WALTHER ARMS, Inc. at 1-479-242-8500 before proceeding with its operation.

⚠ WARNING

YOU MUST FOLLOW ALL OF THESE SAFETY RULES TO ENSURE THE SAFE USE OF YOUR FIREARM. THE FAILURE TO FOLLOW THESE BASIC FIREARM SAFETY RULES MAY RESULT IN AN UNINTENDED DISCHARGE WHICH COULD CAUSE SERIOUS PERSONAL INJURY OR DEATH TO YOU OR OTHERS AND DAMAGE TO PROPERTY.

- **ALWAYS KEEP YOUR FIREARM POINTED IN A SAFE DIRECTION.**
Never point a firearm at anyone or anything you do not intend to shoot, whether or not it is loaded. This is particularly important when loading, unloading, or field stripping the gun. ALWAYS control the direction of the firearm.
- **ALWAYS TREAT EVERY FIREARM AS IF IT IS LOADED AND WILL FIRE IF THE TRIGGER IS PULLED.**
Do not take anyone's word that the firearm is unloaded – always check for yourself. Never pass your firearm to another person until the action is open and you visually check that it is unloaded. Keep your firearm unloaded and safely stored when not in use.
- **NEVER PLACE YOUR FINGER INSIDE THE TRIGGER GUARD OR ON THE TRIGGER UNLESS YOU INTEND TO FIRE.**
Ensure that other objects do not touch the trigger.
- **ALWAYS BE SURE OF YOUR TARGET AND WHAT IS BEYOND IT.**
Always be sure of where the bullet will strike and shoot only where there is a safe back stop free of obstructions, water or other surfaces which can cause ricochets. Be sure your bullet will stop behind your target. Bullets can glance off many surfaces like rocks or surface water and travel in unpredictable directions with considerable velocity. Do not fire randomly into the sky.
- **NEVER CROSS OBSTACLES SUCH AS FENCES OR STREAMS WITH A LOADED FIREARM.**
- **SAFE GUN HANDLING IS YOUR PERSONAL RESPONSIBILITY** at all times. Firearms are dangerous and can cause serious injury or death if they are misused or used inappropriately. Safety must be the prime consideration of anyone who owns or handles firearms. Accidents are the result of violating the rules of safe gun handling and common sense. Firearm safety training is available. Contact your dealer, law enforcement agency, local sportsman's club, etc. for availability.

PDP PISTOLS

YOUR SAFETY RESPONSIBILITIES

- **YOU ARE RESPONSIBLE FOR THE FIREARM AT ALL TIMES.**
In owning a firearm, you must undertake full-time responsibility for your firearm's safety and security. You must protect yourself and all others against injury or death from misuse of the firearm 24 hours a day.
- **FIREARM SECURITY IS YOUR RESPONSIBILITY.** You must secure firearms safely from children and/or unauthorized users. Your firearm should always be kept unloaded and locked when not in use. A lock has been provided for this purpose. Never assume that the use of this lock is sufficient to safely secure your firearm. You must always evaluate your personal situation and employ the security system(s) that meets your needs and prevents children and unauthorized users from gaining access to your firearm.
- **APPROPRIATE USE FOR YOUR FIREARM MEANS USING YOUR FIREARM FOR LEGAL PURPOSES.** For example - target shooting and lawful resistance of deadly criminal force. It is your responsibility to ensure that you are in compliance with all applicable laws and ordinances regarding the use of your firearm.
- **NEVER RELY ON MECHANICAL FEATURES ALONE.** Only your safe gun-handling habits will ensure the safe use of your firearm. This is your responsibility
- **ALWAYS SAFELY STORE AND SECURE YOUR FIREARM.**
Safe and secure storage of your firearm is one of your most important responsibilities. It is a full-time responsibility. You must always secure your firearm and ammunition separately so that they are not accessible to children and/or other unauthorized persons.
- **NEVER KEEP AMMUNITION IN THE SAME LOCATION AS THE HANDGUN.**
Store each in a separate and secure place.
- **ALWAYS WEAR EYE AND EAR PROTECTORS THAT ARE SPECIFIED FOR FIREARM USE** every time you discharge your firearm. Make sure others in the vicinity of where you will be shooting do so as well.
- **NEVER USE ALCOHOL OR DRUGS BEFORE OR WHILE SHOOTING.**
Do not use your firearm if you are on any medication which impairs, even slightly, your mental or physical ability.
- **ALWAYS HAVE ADEQUATE VENTILATION.**
Discharging firearms in poorly ventilated areas, cleaning firearms, or handling ammunition may result in exposure to lead and other substances known to cause birth defects, reproductive harm, and other serious physical injury. Review the warnings and labels for all ammunition and cleaning products carefully. Wash hands thoroughly after exposure.
- **BEFORE HANDLING ANY FIREARM, UNDERSTAND ITS OPERATION.**
Not all firearms are the same. Familiarize yourself with the mechanical features of any firearm you intend to use. If you feel uncertain about any operational aspects of your handgun, please contact WALTHER ARMS, Inc. at 1-479-242-8500 before proceeding with its operation.



YOUR SAFETY RESPONSIBILITIES

- **NEVER ALLOW A FIREARM TO BE USED BY INDIVIDUALS WHO DO NOT UNDERSTAND ITS SAFE OPERATION OR HAVE NOT READ THESE FIREARM SAFETY RULES.**
- **ALWAYS USE THE CORRECT AMMUNITION FOR YOUR PARTICULAR FIREARM** as indicated by the marking on the barrel. Never use non-standard, reloaded, or “handloaded” ammunition which has not been subjected to internal ballistic pressure testing.
- **BEWARE OF BARREL OBSTRUCTIONS.** Be sure the barrel is clear of obstructions before shooting. Mud, water snow or other objects may inadvertently lodge in the barrel bore. A small obstruction can cause a dangerous increase in pressure and may damage your firearm and cause injury to yourself and others.
- **BE SURE ALL ACCESSORIES, SUCH AS HOLSTERS AND GRIPS, ARE COMPATIBLE** with the handgun and that the accessories do not interfere with safe operation.
- **NEVER DISASSEMBLE YOUR HANDGUN** beyond the field stripping procedure outlined in this manual. Improper disassembly or reassembly of your handgun may be dangerous and can lead to serious injury or death.
- **NEVER MANIPULATE, ADJUST OR CHANGE ANY OF THE INTERNAL COMPONENTS OF YOUR FIREARM** including the striker, sear, or drawbar. Improper manipulation of any internal component may affect the safety and reliability of your firearm and may cause serious injury or death.
- **NEVER ALLOW ANY ALTERATION OR REPLACEMENT OF PARTS IN YOUR WALTHER FIREARM UNLESS PERFORMED BY A QUALIFIED GUNSMITH** using genuine WALTHER parts. If you do otherwise, improper functioning of your firearm may occur and serious injury or death and damage to property may result.

⚠ WARNING

SAFE USE OF A FIREARM IS YOUR PERSONAL RESPONSIBILITY AND THE FAILURE TO FOLLOW ALL OF

THESE BASIC SAFETY RULES MAY RESULT IN SEVERE PERSONAL INJURY OR DEATH TO YOU OR OTHERS. YOU ARE THE MOST IMPORTANT SAFETY DEVICE WHEN IT COMES TO THE USE OF YOUR FIREARM AND WALTHER WILL NOT BE RESPONSIBLE FOR ANY PERSONAL INJURY, DEATH OR PROPERTY DAMAGE THAT RESULTS FROM:

- (1) THE CRIMINAL OR NEGLIGENT USE OF THIS HANDGUN;
- (2) A DISREGARD OF THESE SAFETY INSTRUCTIONS AND WARNINGS;
- (3) IMPROPER OR CARELESS HANDLING OF THIS FIREARM;
- (4) THE USE OF NON-STANDARD, DEFECTIVE, IMPROPER OR RELOADED AMMUNITION; OR
- (5) IMPROPER OR NEGLIGENT MODIFICATIONS OR REPAIRS TO THE HANDGUN.

1.2 Safe Storage & Transportation

WARNING

FIREARMS ARE DANGEROUS WHEN USED AND STORED IMPROPERLY – THEY POSE A RISK OF SERIOUS OR FATAL

INJURIES.

FIREARMS CAN BE ESPECIALLY DANGEROUS TO CHILDREN WHEN THEY ARE STORED IN AN IRRESPONSIBLE AND UNSAFE MANNER.

FOR YOUR SAFETY AND THE SAFETY OF OTHERS, IT IS IMPERATIVE THAT YOU KEEP YOUR FIREARM LOCKED AND UNLOADED IN A SECURE PLACE.

THE AMMUNITION SHOULD BE STORED IN A SEPARATE, SECURE LOCATION WHEN IT IS NOT IN USE.

SAFE AND SECURE STORAGE OF YOUR FIREARM IS ONE OF THE MOST IMPORTANT RULES OF FIREARM SAFETY.

YOUR FAILURE TO FOLLOW THESE RULES MAY RESULT IN SERIOUS INJURY OR DEATH TO YOU OR OTHERS.

- **ALWAYS SECURE YOUR FIREARM IN A MANNER THAT WILL PREVENT UNAUTHORIZED ACCESS.**
- Whenever your firearm is not in use, keep it unloaded and locked. Your safety and the safety of others requires that you always secure and store your firearm in a manner that will prevent unauthorized access. Never leave a firearm unattended unless it is locked, unloaded and secured.
- **ALWAYS USE THE LOCK PROVIDED BY WALTHER TO SECURE YOUR FIREARM.**
- Please read and follow the instructions packaged separately for the use of this lock. A lock, when properly used, can be an effective tool in preventing unauthorized access to your firearm. There are other alternative locks and safe storage containers available in the marketplace which may also be appropriate for your particular needs.
- Consult your local gun shop, hardware store, or local police department for guidance on the variety of other safe storage devices or practices which may be appropriate for your particular needs. By purchasing this firearm you have accepted the responsibility of safely securing the firearm at all times and preventing its unauthorized use. Never assume that the use of this lock alone is sufficient to safely secure your firearm. It is your personal responsibility to select and use whatever measures or practices that will enable you to be absolutely certain that your firearm is secure at all times.

WARNING

NEVER LOCK A LOADED FIREARM AND NEVER LOAD A LOCKED FIREARM.

- **ALWAYS STORE YOUR FIREARM AND AMMUNITION SEPARATELY** so that they are not accessible to children or other unauthorized persons. Safe and secure storage of your firearm and ammunition are your responsibility. It is a full-time responsibility.



YOUR SAFETY RESPONSIBILITIES

- **NEVER ASSUME THAT A "HIDING" PLACE IS A SECURE STORAGE METHOD.**

Others may be aware of your storage location or come upon it by chance. It is your personal responsibility to use common sense when storing your firearm and ammunition and to always make sure they are not accessible to children or other unauthorized persons.

- **NEVER TRANSPORT A LOADED FIREARM.**

When transporting your firearm, be sure it is unloaded and locked. Safe and secure transportation of your firearm is your responsibility.

- **ALWAYS FOLLOW THE LAW!**

Many jurisdictions have laws that make it a crime to keep a firearm unlocked and in an area accessible to children or others. Keeping a firearm locked and unloaded when not in use is not only common sense safety practice ... IT IS THE LAW. You must be familiar with all local, state, and federal laws regarding the safe storage and transportation of your firearm. Failure to know and follow the law may result in unauthorized access or use of your firearm by another. Obey all laws relating to the storage and transportation of firearms. Your local police department or gunshop can furnish you with available information on storing and/or transporting a firearm safely and legally.

- **YOUR FIREARM IS YOUR RESPONSIBILITY.**

You must prevent your firearm from being stolen or from being used by untrained or unqualified individuals. Keep it locked, unloaded and secured when not in use.

2 AMMUNITION

! WARNING

NEVER USE AMMUNITION NOT SPECIFICALLY DESIGNATED FOR USE IN YOUR FIREARM. FAILURE TO USE THE SPECIFIC CARTRIDGE INTENDED FOR USE IN THE PISTOL MAY CAUSE IT TO JAM, FAIL TO FIRE OR EVEN GENERATE EXCESSIVE GAS PRESSURE WHICH CAN DAMAGE OR DESTROY THE PISTOL, CAUSE PERSONAL INJURY, DEATH OR PROPERTY DAMAGE.

Locate the cartridge designation marked on the handgun. This information indicates the ammunition that must be used in this firearm (see 2 Fig. 1). You are responsible for selecting ammunition that meets industry standards and is appropriate in type and caliber for this firearm.

Never use a cartridge not specifically designated for use in your firearm. Pressure from the wrong type of ammunition may exceed the capability of your firearm and may damage or even rupture your firearm.

Never mix ammunition.

In some cases, a round of ammunition not specified on your handgun may fit into the chamber. Firing ammunition not specified on your handgun may cause it to rupture and cause serious injury or death to you or others.

Always inspect your ammunition before using it. Never use dirty, corroded or damaged ammunition which can lead to a burst cartridge which may cause damage to the handgun and personal injury or death.

Use only commercially manufactured ammunition with internal ballistic pressures which are in strict accordance with the specifications of the Sporting Arms and Ammunition Manufacturers' Institute (SAAMI). If you are uncertain, contact your ammunition supplier for verification.



2 Fig. 1

! WARNING

NEVER USE NON-STANDARD, RELOADED OR "HANDLOADED" AMMUNITION WHICH HAS NOT BEEN SUBJECTED TO INTERNAL BALLISTIC PRESSURE TESTING. RELOADED OR HANDLOADED AMMUNITION, MAY HAVE MANY MANUFACTURING AND QUALITY VARIABLES (SUCH AS THE TYPE AND AMOUNT OF GUN POWDER). ANY AMMUNITION THAT IS IMPROPERLY MANUFACTURED, EVEN IN THE SLIGHTEST DEGREE, MAY FAIL TO FIRE OR MAY GENERATE EXCESSIVE INTERNAL PRESSURES WHICH CAN DAMAGE OR EVEN RUPTURE THE FIREARM, CAUSING PERSONAL INJURY OR DEATH TO THE SHOOTER OR THOSE IN THE IMMEDIATE VICINITY.



AMMUNITION

A firearm and ammunition are a system and must work together. Their performance is closely related. There are different types of ammunition for different types of firearms. Your firearm has been designed for ammunition of a specific type and a specific caliber. It is important to select the proper ammunition for your firearm.

Different combinations of bullet velocity, bullet weight and firearm weight can have major impact on felt recoil; high felt recoil can be uncomfortable to some shooters.

For example:

- Gun Weight: lower gun weight increases felt recoil.
- Bullet Weight: higher bullet weight increases felt recoil.
- Bullet Velocity: higher bullet velocity increases felt recoil.

To acclimate yourself to higher levels of felt recoil, consider the following:

- Use a firm two-hand hold on the grip when firing.
- Always start your shooting experience with the lowest bullet velocity and lowest bullet weight available for your firearm. Ask your firearm dealer to suggest the lowest power, lowest velocity, lightest bullet weight for your firearm.
- You can also consider changing your firearm's grip configuration/composition to better fit your hand's specific size and shape.

"Plus-P" (+P) ammunition generates pressures in excess of the pressures associated with standard ammunition. Such pressures may affect the wear characteristics of your pistol or exceed the margin of safety. Use of "Plus-P" ammunition may result in the need for more frequent service.

"Plus-P-Plus" (+P+) ammunition must not be used in WALTHER firearms. This marking on the ammunition designates that it exceeds established industry standards, but the designation does not represent defined pressure limits and therefore such ammunition may vary significantly as to the pressures generated.

Some brands of ammunition may cause difficulty in extracting spent cartridge cases from the chamber. If this situation occurs, thoroughly clean the chamber with solvent. If this condition persists, we recommend changing to another brand of ammunition.

3 PRODUCT DESCRIPTION

3.1 Main Features

PDP pistols are striker fired semi-automatic pistols with constant trigger pull. The ergonomics and trigger systems make them very easy to shoot accurately, and simple to operate for left and right hand shooters: The slide release is ambidextrous and the thumb operated magazine release is reversible for either left- or right-hand use.

The open post sights of the PDP pistols are designed for rapid aiming and target acquisition. The pistols have three different backstraps making it easier to configure to large or small hands.

PDP pistols feature a loaded chamber indicator, along with a trigger safety and automatic internal safeties. The frame is made from high-strength polymer and has a MIL-STD-1913 (Picatinny) accessory mounting rail for lights, lasers or other tactical devices.

3.2 Functional Elements, Model Number Identification



Thread Protector

- | | |
|--------------------|---------------------------------|
| 1 Slide | 11 Magazine |
| 2 Front Sight | 12 Grip |
| 3 Take Down Catch | 13 Magazine Release, reversible |
| 4 Barrel | 14 Trigger |
| 5 Slide Stop Notch | 15 Trigger Guard |
| 6 Slide Serrations | 16 Frame |
| 7 Slide Stop Lever | 17 Accessory Rail |
| 8 Rear Sight | |
| 9 Backstrap | |
| 10 Lanyard Loop | |

PRODUCT DESCRIPTION

18 Recoil Spring Guide Rod

19 Muzzle

20 MODEL

21 SERIAL NUMBER

22 Slide End Cap

23 Ejection Port

24 Extractor (Loaded Chamber Indicator)

Pistol shown with slide locked back



3.2.1 Fig. 1

3.2.1 Loaded Chamber Indicator

The extractor doubles as a loaded chamber indicator. A color marking is visible when a cartridge or fired case is in the chamber (3.2.1 Fig. 1).

⚠ WARNING

DO NOT RELY UPON THE LOADED CHAMBER INDICATOR TO VERIFY THE PRESENCE OR ABSENCE OF A ROUND IN THE CHAMBER. ALWAYS CHECK THE CHAMBER OF THE FIREARM BY REMOVING THE MAGAZINE AND LOCKING THE SLIDE IN THE OPEN POSITION.

⚠ WARNING

ALWAYS TREAT EVERY FIREARM AS IF IT WERE LOADED AND WOULD FIRE IF THE TRIGGER IS PULLED: THE AMOUNT OF LIGHT, CLEANLINESS OF THE PISTOL AND OTHER FACTORS MAY LIMIT THE EFFECTIVENESS OF THE LOADED CHAMBER INDICATOR. CLEANING SOLVENTS OR WEAR MAY DARKEN OR REMOVE THE RED COLOR, OR POWDER RESIDUE OR DIRT MAY COVER IT UP. IF YOU DO NOT SEE THE RED DOT, DO NOT ASSUME THE CHAMBER IS EMPTY. AFTER FIRST CHECKING THAT THE MAGAZINE HAS BEEN REMOVED, PULL THE SLIDE BACK UNTIL YOU CAN LOOK INTO THE CHAMBER AND VERIFY WHETHER IT IS EMPTY OR NOT.

PRODUCT DESCRIPTION

3.2.2 Magazine Release

The magazine release is on the side of the grip, or located on the trigger guard.

Removing the magazine:

Grasp the pistol with your finger off the trigger and outside the trigger guard. Depress the magazine release and remove the magazine (3.2.2 Fig. 1).



3.2.2 Fig. 1

3.2.3 Slide Stop

Locking the slide in the “open” position:

Grasping the grip of the frame and with your finger off the trigger and outside the trigger guard, depress the magazine release, and completely remove the magazine. Firmly grasp the serrated sides of the slide from the rear with the thumb and fingers. While steadily holding the grip, briskly pull the slide fully rearward to extract any cartridge from the chamber and clear it from the pistol.

To lock the slide in the open position, allow the slide to move slightly forward from the rearmost position while pressing upward on the slide stop (3.2.3 Fig. 1).



3.2.3 Fig. 1

Releasing the slide from the slide stop:

Press down on the slide stop with the thumb of your shooting hand to release the slide and allow it to move fully forward. For easier operation of the slide stop, grasp the serrated sides of the slide from the rear and pull the slide fully to the rear while pressing down on the slide stop and then release the slide from your grasp to allow it to move fully forward.

3.2.4 Magazine

When the magazine is removed from the magazine well in the grip, the number of rounds can be seen in the witness holes (3.2.4 Fig. 1).



3.2.4 Fig. 1

PREPARATION FOR FIRING

4 PREPARATION FOR FIRING

⚠ WARNING

THE FAILURE TO FOLLOW THESE FIREARM SAFETY REQUIREMENTS MAY CAUSE SERIOUS PERSONAL INJURY OR DEATH TO YOU OR OTHERS.

- ALWAYS TREAT ALL HANDGUNS AS IF THEY ARE LOADED.
- ALWAYS BE SURE THAT ALL ACTIONS OF FIREARMS ARE OPEN, THAT CHAMBERS ARE CLEAR OF CARTRIDGES, MAGAZINES ARE REMOVED, AND THAT FIREARMS ARE POINTING IN A SAFE DIRECTION.
- ALWAYS KEEP FINGERS AND OTHER PARTS OF YOUR BODY AWAY FROM THE MUZZLE, AND AWAY FROM THE PISTOL SLIDE AND EJECTION PORT.
- ALWAYS WEAR ADEQUATE AND PROPER EAR PROTECTORS SPECIFIED FOR FIREARM USE to prevent permanent damage to your hearing. Make sure others who are nearby are wearing ear protection as well.
- ALWAYS WEAR SAFETY GLASSES SPECIFIED FOR FIREARM USE, whether indoors or out. Safety glasses should protect your eyes from the firing flash and particles associated with the discharge of ammunition. Failure to do so creates a risk of personal injury from particle or debris spitting or ricochets.
- ALWAYS BE ALERT AND ALWAYS FOLLOW THE SAFETY INSTRUCTIONS OF THE RANGE OFFICER. Never shoot if you are tired, cold or impaired in any way.
- ALWAYS BE AWARE OF OTHER PEOPLE so that persons cannot accidentally walk into the line of fire.
- THE SHOOTER (AND ALL OTHERS IN THE SHOOTING AREA) MUST ALWAYS BE IN A POSITION THAT IS OUT OF THE LINE OF FIRE and are not within an area where they may be struck by ricochets, or particles spitting from the firearm, or by ejected cases.
- NEVER SHOOT AT HARD SURFACES, WATER OR RANDOMLY INTO THE SKY.
Always select a place to shoot that has a safe backstop and is free from obstructions and water surfaces which cause ricochets.
- NEVER USE ALCOHOL OR DRUGS BEFORE OR WHILE SHOOTING OR HANDLING OF ANY FIREARM.

4.1 Inspecting the Pistol

- When you inspect the pistol, you should first check to ensure that it is unloaded. To do this, grasp the grip of the frame with your finger off the trigger and outside the trigger guard, point the muzzle in a safe direction, depress the magazine release and remove the magazine (4.1 Fig. 1).



4.1 Fig. 1

PDP PISTOLS

PREPARATION FOR FIRING

- Point the muzzle in a safe direction, grasp the serrated sides of the slide, and briskly draw the slide fully rearward in order to extract any cartridge from the chamber and clear it from the pistol. Do not obstruct the ejection port because doing so can interfere with the proper ejection of a cartridge.
- Lock the slide in the open position by allowing the slide to move slightly forward from the rearmost position while pressing upward on the slide stop (4.1 Fig. 3).
- Check the chamber to verify that it is unloaded and check the bore visually that it is clean, dry, and free from any obstructions (4.1 Fig. 4).
- Examine the breech face. If the striker is protruding do not attempt to load the firearm. Take the gun to a certified WALTHER gunsmith or call the WALTHER ARMS, Inc. service department at 1-479-242-8500.
- You must follow this procedure every time the pistol leaves your hand, is cleaned, handed to you or another person, transported or stored.



4.1 Fig. 2



4.1 Fig. 3



4.1 Fig. 4

WARNING

NEVER RELY ON MECHANICAL FEATURES ALONE. PROPER HANDLING OF THE FIREARM WILL ENSURE THE SAFETY OF YOU AND OTHERS. FIREARM SAFETY IS ALWAYS YOUR RESPONSIBILITY.

4.2 Loading

- Do not load the pistol until you have read and fully understand this manual.
- Do not load the pistol until you are ready to use it. Keep your finger off the trigger and outside the trigger guard until you are ready to fire.
- Never load your pistol until you are sure of your target, what is beyond it and are fully prepared to fire.
- WALTHER has provided you with a magazine designed to operate in your specific model of pistol. While your magazine may be able to be inserted into another model pistol, it will only function properly in the specific model for which it was designed. Do not interchange magazines from one model pistol to another model pistol (4.2 Fig. 1).



4.2 Fig. 1

PREPARATION FOR FIRING

- Follow instructions in this manual and any other specific instructions which may be marked onto, or accompany, a magazine. Failure to use the particular type of WALTHER magazine specified for your model and caliber of pistol may result in a malfunction.

4.2.1 Loading the Magazine

When the magazine is removed from the magazine well in the grip, the number of rounds can be seen in the witness holes (4.2.1 Fig. 1).



4.2.1 Fig. 1

⚠ WARNING

DO NOT ATTEMPT TO LOAD THE MAGAZINE WITH MORE THAN THE SPECIFIED NUMBER OF CARTRIDGES BECAUSE DOING SO MAY CAUSE A FAILURE TO FEED A ROUND OF AMMUNITION INTO THE CHAMBER. DO NOT USE EXCESSIVE FORCE WHEN LOADING THE MAGAZINE, AS THIS MAY DAMAGE THE MAGAZINE. DAMAGED OR DEFECTIVE MAGAZINES CAUSE MALFUNCTIONS AND MAY CAUSE IMPROPER FUNCTIONING OF THE PISTOL.

Load the magazine by pressing a cartridge base (rear of cartridge) downward on the forward portion of the magazine follower (or downward on the case of a previously loaded cartridge) and sliding the cartridge fully under the lips of the magazine until the cartridge base is against the rear wall of the magazine. Repeat the procedure for the number of cartridges you wish to load, up to the magazine capacity (4.2.1 Fig. 2).



4.2.1 Fig. 2

Loading may be easier

with the aid of the WALTHER Magazine Loader:

Put the magazine loader with its long wall oriented to the rear on top of the magazine (4.2.1 Fig. 3). Press down the magazine loader and insert a cartridge with your other hand (4.2.1 Fig. 4). Let the magazine loader go up again. Push in the cartridge completely with your hand (4.2.1 Fig. 5). Repeat the procedure for the number of cartridges you wish to load, up to the magazine capacity.

(The WALTHER Magazine Loader is an optional item)



4.2.1 Fig. 3



4.2.1 Fig. 4



4.2.1 Fig. 5

4.2.2 Loading the Pistol

- Inspect the pistol as shown in section 4.1.
- Grasp the pistol with your finger off the trigger and outside the trigger guard, point the muzzle in a safe direction. Insert the loaded magazine into the magazine well of the pistol until it is locked in place.

To make sure that the magazine is fully and securely inserted, try pulling down on the exposed portion of the magazine floorplate. It should not move.

CAUTION

With the slide locked in the open position, visually check the breech face. If the striker is protruding do not attempt to use the firearm. Take it to an authorized WALTHER ARMS, Inc. warranty center.

WARNING

DO NOT USE EXCESSIVE UPWARD FORCE WHEN INSERTING A LOADED MAGAZINE INTO THE PISTOL. EXCESSIVE UPWARD FORCE COULD CAUSE THE SLIDE TO MOVE FORWARD, CHAMBERING A ROUND AND MAKING THE PISTOL READY TO FIRE.

- Pull the slide fully to the rear and let go allowing it to move fully forward. This strips a cartridge from the magazine and seats it in the chamber of the barrel.

WARNING

UPON FIRING THE PISTOL OR RELEASING THE SLIDE FROM THE SLIDE STOP, THE SLIDE MOVES REARWARD OR FORWARD WITH SIGNIFICANT FORCE AND SPEED. TO AVOID INJURY, BE SURE NO PART OF YOUR BODY IS IN THE PATH OF THE SLIDE'S TRAVEL.

WARNING

IF THE CARTRIDGE FAILS TO STRIP FROM THE MAGAZINE OR FULLY SEAT INTO THE CHAMBER, IMMEDIATELY STOP THE LOADING PROCESS. REMOVE THE MAGAZINE, LOCK THE SLIDE OPEN AND VERIFY THAT THE CHAMBER IS EMPTY. REFER TO THE "INSPECTING THE PISTOL" SECTION OF THIS MANUAL.

WARNING

ALWAYS LOAD A ROUND INTO THE CHAMBER BY FEEDING IT FROM THE MAGAZINE. NEVER ATTEMPT TO LOAD THE PISTOL BY INSERTING A ROUND INTO THE CHAMBER VIA THE OPEN EJECTION PORT. FAILURE TO FOLLOW THIS WARNING MAY RESULT IN SEVERE INJURY OR DEATH TO YOU OR OTHERS.

PREPARATION FOR FIRING

⚠ CAUTION

The pistol is now loaded and ready to fire. The pistol and its magazine are now loaded and will fire when the trigger is squeezed. Remember to keep the muzzle pointed in a safe direction under all conditions and always keep your finger or any other object off the trigger and outside the trigger guard until you decide to fire the pistol. Never leave a loaded firearm unattended or out of your direct control.

- If you wish to restore the magazine in your pistol to its full capacity, depress the magazine release and remove the magazine from the pistol. Remember that there is a round in the chamber; therefore, the firearm should be holstered or safely secured during this process without touching the trigger. Load one cartridge into the magazine to replace the one which was chambered when you allowed the slide to carry forward.
- Re-insert the loaded magazine into the magazine well of the pistol until it is locked in place. To make sure that the magazine is again fully and securely inserted, apply some removal pressure to the exposed portion of the magazine butt plate.

⚠ CAUTION

Your pistol and magazine are now fully loaded and ready to fire when the trigger is pulled. Remember to keep your pistol pointed in a safe direction under all conditions and always keep your finger or any other object off the trigger and outside the trigger guard until you have made the commitment to fire the handgun. Never leave a loaded firearm out of your direct control.

⚠ CAUTION

After inserting a magazine, always test to make sure it is locked in place by applying some removal pressure to the exposed portion of the butt plate.

⚠ WARNING

THE PDP PISTOLS ARE NOT EQUIPPED WITH A MAGAZINE DISCONNECT FEATURE. THEY WILL FIRE WITH THE MAGAZINE REMOVED FROM THE PISTOL.

4.3 Firing the Pistol

⚠ WARNING

ALWAYS KEEP THE MUZZLE POINTED IN A SAFE DIRECTION.

⚠ WARNING

WEAR EYE AND EAR PROTECTION SPECIFIED FOR FIREARM USE EVERY TIME YOU DISCHARGE YOUR FIREARM. MAKE SURE OTHERS IN THE VICINITY OF WHERE YOU WILL BE SHOOTING DO SO AS WELL.

⚠ WARNING

“STAGING” THE TRIGGER VIOLATES A BASIC RULE OF FIREARM SAFETY WHICH WARNS YOU TO KEEP YOUR FINGER OUT OF THE TRIGGER GUARD UNTIL YOU HAVE MADE THE COMMITMENT TO FIRE. “STAGING” CREATES A SERIOUS RISK OF PERSONAL INJURY OR DEATH SINCE IT MAY LEAD TO AN UNINTENTIONAL DISCHARGE.

- It has come to our attention that some users of WALTHER handguns may stage the trigger in anticipation of firing a shot. Staging is the act of pulling the trigger rearward toward – stopping just short of – the point where the handgun fires. Such manipulation of the trigger can reduce the user’s control of the handgun and can result in an unintentional discharge. Furthermore if the user decides not to fire, release of the trigger from a position close to the firing point in the staging process could result in an unintentional discharge.
- How a handgun is gripped affects recoil and trigger control. Always ensure that you maintain a firm grip and proper alignment of the pistol. The design of the PDP’s frame offers a high degree of control permitting the shooter to obtain an elevated grip closer to the pistol’s bore axis.
- Keep the muzzle pointed in a safe direction and your finger outside the trigger guard until you are ready to fire.
- With a firm grip, allow your finger to be placed squarely across the face of the trigger. Squeeze the trigger fully to the rear. As the trigger is drawn fully to the rear, the striker is released, striking the cartridge primer. Upon firing, the slide moves rearward thereby extracting and ejecting the spent cartridge case. The slide then returns forward feeding the next cartridge from the magazine into the chamber.
- After firing, you must allow the trigger to move fully forward before you can fire the next shot. Failure to do so will prevent the lockwork from fully cycling and will prevent you from being able to fire the next shot. Keep your finger off the trigger and outside the trigger guard until you are ready to fire again. This sequence can be repeated until the last round has been fired. Trigger pull and trigger travel is the same from the first to the last round.
- Once the last round has been fired, the magazine follower exerts upward pressure on the slide stop causing it to engage the slide and to hold it in the “open” position.

4.4 Exchanging Magazines

Once the last round has been fired, the magazine follower exerts upward pressure on the slide stop causing it to engage the slide stop notch thereby holding it in the “open” position.

- Be certain the chamber is empty.
- Depress the magazine release and remove the magazine.
- To continue shooting, insert another loaded magazine.
- Pull the slide fully to the rear, let it go and allow it to run fully forward.

PREPARATION FOR FIRING

⚠ WARNING

WEAR EYE AND EAR PROTECTION SPECIFIED FOR FIREARM USE EVERY TIME YOU DISCHARGE YOUR FIREARM. MAKE SURE OTHERS IN THE VICINITY OF WHERE YOU WILL BE SHOOTING DO SO AS WELL.

⚠ CAUTION

After inserting a magazine, always test to make sure it is locked in place by applying some removal pressure to the exposed portion of the butt plate.

⚠ WARNING

UPON FIRING THE PISTOL OR RELEASING THE SLIDE FROM THE SLIDE STOP, THE SLIDE MOVES REARWARD OR FORWARD WITH SIGNIFICANT FORCE AND SPEED. TO AVOID INJURY, BE SURE NO PART OF YOUR BODY IS IN THE PATH OF THE SLIDE'S TRAVEL.

4.5 Unloading the Pistol

⚠ WARNING

THE PDP PISTOLS ARE NOT EQUIPPED WITH A MAGAZINE DISCONNECT FEATURE. THE PISTOLS WILL FIRE WITH THE MAGAZINE REMOVED FROM THE PISTOL.

- Point the muzzle in a safe direction. Make sure your finger is off the trigger and out of the trigger guard. Depress the magazine release and remove the magazine (4.5 Fig. 1).
- Keep the muzzle pointed in a safe direction, and keep your finger off the trigger and outside the trigger guard. Grasp the serrated sides of the slide (4.5 Fig. 2), and briskly draw the slide fully rearward in order to extract any cartridge from the chamber and clear it from the pistol. Do not obstruct the ejection port because doing so can interfere with proper ejection of a cartridge.
- Lock the slide in the open position by allowing the slide to move slightly forward from the rearmost position while pressing upward on the slide stop (4.5 Fig. 3).



4.5 Fig. 1



4.5 Fig. 2

PREPARATION FOR FIRING

- Visually check the barrel chamber to be sure it is empty (4.5 Fig. 4). Look into the chamber and down through the magazine well. Verify that no ammunition remains in the pistol. Check the bore visually for any obstructions.
- Visually check the breech face. If the striker is protruding do not attempt to use the firearm. Take it to an authorized WALTHER ARMS gunsmith.
- Unload the magazine by holding it with the bullet end of the cartridge pointing away from you and pressing each cartridge forward and out of the magazine.



4.5 Fig. 3



4.5 Fig. 4

⚠ WARNING

ANY TIME YOU RELEASE THE SLIDE WHILE A MAGAZINE CONTAINING CARTRIDGES IS IN THE PISTOL, YOU WILL HAVE CHAMBERED A NEW ROUND IN THE PISTOL. THE PISTOL WILL BE READY TO FIRE.

4.6 Clearing Misfires

⚠ WARNING

IF YOUR FIREARM GIVES ANY INDICATION THAT IT IS NOT PERFORMING PROPERLY OR THE OPERATION OF YOUR FIREARM HAS CHANGED “THE WAY IT FEELS OR SOUNDS”, STOP FIRING. MAKE SURE THE FIREARM IS POINTED IN A SAFE DIRECTION, UNLOAD THE FIREARM AND HAVE IT INSPECTED AND TEST-FIRED BY A GUNSMITH QUALIFIED TO PERFORM SERVICE ON WALTHER FIREARMS.

- If a cartridge fails to fire, wait ten (10) seconds while keeping the muzzle pointed in a safe direction.
- Keep your finger off the trigger and out of the trigger guard.
- Remove the magazine.
- Grasp the serrated sides of the slide from the rear and briskly pull the slide fully rearward to eject the misfired round. Do not obstruct the ejection port, and do not attempt to catch the round by placing your hand over the ejection port. Also remember that any time you release the slide while a magazine containing cartridges is in the pistol, you will have reloaded the chamber.



PREPARATION FOR FIRING

- In order to lock the slide in the open position, allow the slide to move slightly forward from the rearmost position while pressing upward on the slide stop.
- Check the barrel chamber and bore visually for any obstructions. You must be certain there are no cartridges in the chamber or obstructions in the barrel. If there are any obstructions in the bore of the barrel have the pistol further examined and repaired by a qualified gunsmith before using again.

WARNING

THE PDP PISTOLS CAN BE FIRED WITH THE MAGAZINE REMOVED. BEFORE YOU OPERATE YOUR WALTHER PISTOL PLEASE FAMILIARIZE YOURSELF WITH ITS FEATURES.



5 FIELD-STRIPPING, CLEANING, LUBRICATION & MAINTENANCE

⚠ WARNING

ALWAYS KEEP THE BARREL POINTED IN A SAFE DIRECTION.

⚠ WARNING

ALWAYS FOLLOW THE FIELD STRIPPING INSTRUCTIONS EXACTLY. NEVER DO ANYTHING BEYOND WHAT YOU ARE SPECIFICALLY INSTRUCTED TO DO IN THIS MANUAL. NEVER ALTER OR MODIFY THE PARTS IN YOUR PISTOL.

⚠ WARNING

WEAR SAFETY GLASSES EVERY TIME YOU ASSEMBLE OR DISASSEMBLE YOUR FIREARM.

⚠ WARNING

DO NOT ALTER, MODIFY OR REPLACE ANY OF THE PARTS OF YOUR FIREARM UNLESS THIS WORK IS PERFORMED BY A QUALIFIED GUNSMITH USING GENUINE WALTHER PARTS. IF YOU DO OTHERWISE, IMPROPER FUNCTIONING MAY OCCUR AND SERIOUS INJURY, DEATH OR DAMAGE TO PROPERTY MAY RESULT.

⚠ WARNING

NEVER DISASSEMBLE YOUR HANDGUN BEYOND THE FIELD STRIPPING PROCESS OUTLINED IN THIS MANUAL. NEVER MANIPULATE ANY INTERNAL COMPONENTS BEYOND WHAT YOU ARE SPECIFICALLY INSTRUCTED TO DO IN THIS MANUAL SINCE THIS MAY AFFECT THE RELIABILITY, FUNCTIONING AND SAFETY OF YOUR HANDGUN.

5.1 Main Components

5.1.1 Field-Stripping Disassembly

- Point the pistol in a safe direction. Make sure your finger is off the trigger and out of the trigger guard. Depress the magazine release and remove the magazine (5.1.1 Fig. 1).
- With the muzzle pointing in a safe direction, and with your finger off the trigger and outside the trigger guard, grasp the serrated sides of the slide and briskly draw the slide fully rearward in order to extract any cartridge from the barrel chamber and clear it from the pistol (5.1.1 Fig.2).



5.1.1 Fig. 1



5.1.1 Fig. 2

FIELD-STRIPPING, CLEANING, LUBRICATION AND MAINTENANCE



- Pull the slide fully to the rear, press upward on the slide stop lever while letting the slide move slightly forward thereby locking the slide open (5.1.1 Fig. 3). Look into the chamber and down through the magazine well. Verify that no ammunition remains in the pistol (5.1.1 Fig. 4).
- Close the slide: Pull the slide slightly to the rear. Slowly release the slide, allowing it to return to forward position.



5.1.1 Fig. 3



5.1.1 Fig. 4

⚠ WARNING

TO COMPLETE DISASSEMBLY, YOU WILL BE REQUIRED TO PULL THE TRIGGER. IF YOU HAVE FAILED TO PROPERLY UNLOAD YOUR PISTOL AND A LIVE ROUND IS LEFT IN THE CHAMBER, THE PISTOL WILL DISCHARGE AND MAY CAUSE SERIOUS INJURY OR DEATH TO YOURSELF OR OTHERS AND DAMAGE TO PROPERTY. THEREFORE, YOU MUST VISUALLY INSPECT THE CHAMBER AND MAGAZINE WELL (OPENING) TO ENSURE THAT THEY ARE EMPTY BEFORE PULLING THE TRIGGER.

- Point the pistol in a safe direction. Squeeze the trigger fully to the rear.
- Grip the take down catch from above on both sides and press downwards (5.1.1 Fig. 5).
- Move the slide forward, and remove it from the frame.



5.1.1 Fig. 5

⚠ WARNING

ALWAYS POINT THE MUZZLE IN A SAFE DIRECTION WHEN MANIPULATING THE TRIGGER.

⚠ WARNING

THE PDP PISTOLS ARE NOT EQUIPPED WITH A MAGAZINE. THE PISTOL WILL FIRE IF THE GUN IS LOADED AND THE MAGAZINE IS REMOVED FROM THE PISTOL.

- Remove the recoil spring assembly from below the barrel while compressing the spring (5.1.1 Fig. 6).



5.1.1 Fig. 6

FIELD-STRIPPING, CLEANING, LUBRICATION AND MAINTENANCE

- Remove the thread protector by turning it counter clockwise (if barrel is threaded).
- Remove the barrel from the slide.
- The main components of the pistol are shown in 5.1.1 Fig. 7.



5.1.1 Fig. 7

5.1.2 Field-Stripping Reassembly

WARNING

ALWAYS FOLLOW THE FIELD STRIPPING INSTRUCTIONS EXACTLY. NEVER DO ANYTHING BEYOND WHAT YOU ARE SPECIFICALLY INSTRUCTED TO DO IN THIS MANUAL. NEVER ALTER OR MODIFY THE PARTS IN YOUR PISTOL.

WARNING

WEAR SAFETY GLASSES EVERY TIME YOU ASSEMBLE OR DISASSEMBLE YOUR FIREARM.

- Hold the slide upside-down. Place the barrel inside the slide with the locking lugs oriented as shown in 5.1.2 Fig. 1.
- Put the thread protector back on (if barrel is threaded).
- Insert the recoil spring assembly:
Place the smaller end of the recoil rod into the spring mounting at the front of the slide, and then insert the large polymer end of the recoil spring into the lower barrel recess, while compressing the spring (5.1.2 Fig. 1).



5.1.2 Fig. 1

Note: It is normal for the recoil spring assembly to flex when it is installed.

- Grasp the slide by the rear slide serrations, as far to the rear as possible.
- Push the slide from the front into the slide guides of the frame (5.1.2 Fig. 2), far enough for the take down catch to engage, making sure that the slide also engages the rear slide guides of the frame. Release the slide and allow it to move fully forward into the locked position.



5.1.2 Fig. 2

5.2 Striker Assembly

5.2.1 Remove Striker Assembly

- Field strip the pistol following the field stripping instructions in section 5.1.1.
- Place the muzzle end of the slide on a smooth, flat surface. Grasp the slide at the rear slide serrations, push in the pin through the square opening located at the top right side of the slide end cap using a 5/64" (2 mm) drift punch (5.2.1 Fig. 1) and remove the slide end cap by sliding it downwards (5.2.1 Fig. 2).
- Remove the striker assembly from the slide (5.2.1 Fig. 3).



5.2.1 Fig. 1



5.2.1 Fig. 2



5.2.1 Fig. 3

5.2.2 Install Striker Assembly

- Insert Striker Assembly (5.2.2 Fig. 1)
- Using the slide end cap, press the striker assembly into the slide and reinsert the slide end cap from the bottom of the slide until it snaps in place (5.2.2 Fig. 2).



5.2.2 Fig. 1

5.3 Extractor

Note: The striker interferes with the striker safety. If you want to remove the striker safety, first remove the striker assembly as described in section 5.2, and then continue with the extractor and the striker safety.

5.3.1 Remove Extractor



5.2.2 Fig. 2

⚠ WARNING

WEAR SAFETY GLASSES, AND WHILE YOU REMOVE THE EXTRACTOR, BE SURE TO CONTROL THE STRIKER SAFETY AND THE EXTRACTOR PLUNGER SO THAT THEY DO NOT FLY OUT.

OR Models

- Remove the cover plate or the reflex sight and the mount base. Refer to section 6.4.3 to do so.
- Hold the slide upside down. Use a 5/64" (2 mm) drift punch to drift the extractor pin out (5.3.1 Fig. 1)
- Cover the striker safety with a finger while you pivot the extractor out. Remove the striker safety assembly from the slide (5.3.1 Fig. 3)
- Do not remove the extractor spring from its seat inside the extractor slot. The extractor spring has on one side an end coil of larger diameter which secures it from falling out.



5.3.1 Fig. 1

Open Sight Models

- Place the slide upside down with the muzzle facing to the left.
- Use a 5/64" (2 mm) drift punch to force the extractor pin into the slide against the spring force (5.3.1 Fig. 2) until the rear end of the extractor pops out. Remove the drift punch.
- Cover the striker safety and the extractor plunger with a finger while you pivot the extractor out. Remove the striker safety assembly and the extractor plunger assembly from the slide (5.3.1 Fig. 3)
- Do not remove the extractor spring from its seat inside the extractor slot. The extractor spring has on one side an end coil of larger diameter which secures it from falling out.



5.3.1 Fig. 2



5.3.1 Fig. 3

5.3.2 Install Extractor

Open Sight Models

- Place the slide upside down with the muzzle facing to the left.
- Insert the extractor plunger assembly into the slide with its spring first.
- Secure the spring of the striker safety plunger using a little gun lube (do not use any grease!) in the hole of the plunger to prevent it from falling out.



5.3.1 Fig. 4

Insert the striker safety assembly into the slide with its spring first. Ensure the striker safety spring enters the deepest part of its blind hole. When assembled correctly, the safety should be slightly below the feed rib next to it (5.3.2 Fig. 1).



5.3.2 Fig. 1

- Align the rear end of the extractor to the extractor slot (5.3.2 Fig. 2) and press it towards the slide with the thumb of your other hand. Push down the extractor plunger with a 5/64" (2 mm) drift punch and press in the extractor until they hold each other without pressing in the extractor completely. Remove the drift punch, while the eyelet of the extractor holds down the extractor plunger.
- Hold the safety plunger down flush with the surface of the slide. Press in the extractor completely until the extractor plunger snaps into the hole of the extractor.
- Follow the instructions in section 5.2.2 to install the striker assembly.



5.3.2 Fig. 2

OR Models

- Place the slide upside down with the muzzle facing to the left.
- Secure the spring of the striker safety plunger using a little gun lube (do not use any grease!) in the hole of the plunger to prevent it from falling out. Insert the striker safety assembly into the slide with its spring first. Ensure the striker safety spring enters the deepest part of its blind hole. When assembled correctly, the safety should be slightly below the feed rib next to it (5.3.2 Fig. 1).
- Align the rear end of the extractor to the extractor slot and press the extractor towards the slide with the thumb of your other hand.
- Hold the safety plunger down flush with the surface of the slide. Press in the extractor completely as you insert the extractor plunger from the top. Check for correct alignment of the extractor plunger hole as you insert the plunger.
- Refer to section 6.4.3 put the cover plate or your reflex sight back on.

5.4 Magazine

⚠ WARNING

WEAR SAFETY GLASSES EVERY TIME YOU ASSEMBLE OR DISASSEMBLE YOUR MAGAZINE.

⚠ CAUTION

WALTHER has provided you with a magazine designed to operate in your specific model of pistol. While your magazine may be able to be inserted into another model pistol, it will only function properly in the specific model for which it was designed. Do not interchange magazines from one model to another model pistol.

5.4.1 Magazine Disassembly

⚠ WARNING

THE MAGAZINE SPRING IS UNDER PRESSURE. USE CAUTION WHEN STRIPPING DOWN THE MAGAZINE. CONTROL THE FLOORPLATE CATCH AND THE MAGAZINE SPRING WHILE YOU REMOVE THE FLOORPLATE SO THAT THEY DO NOT FLY OUT AND CAUSE INJURY.

1. Using a 5/32" (4 mm) punch, depress the floorplate catch through the hole in the floorplate (5.4.1 Fig. 1).

+2 Magazine:

Locate the metal tab at the rear base of the magazine. While the floorplate is fully seated to the rear of the magazine insert a flat bladed screwdriver in the slot of the metal tab and push the tab towards the top of the magazine until the tab protrudes from the base of the magazine (5.4.1 Fig. 2).

2. Slide the floorplate forward off of the magazine tube while continuing to depress the floorplate catch in the tube.

+2 Magazine:

Push the magazine floorplate towards the front of the magazine while retaining the magazine floorplate catch and spring with your thumb.

3. Remove the floorplate catch and spring carefully from the magazine tube through the bottom of the tube.
4. Turn the tube right side up and remove the follower through the bottom of the tube.



5.4.1 Fig. 1



5.4.1 Fig. 2



5.4.2 Fig. 1



5.4.2 Fig. 2

5.4.2 Magazine Reassembly

1. Install the follower and magazine spring plus floorplate catch in reverse order back into the tube in exactly the same orientation as they were in when they were first removed during disassembly (5.4.2 Fig. 1 and 2). Never use excessive force when assembling the magazine.
2. While holding the floorplate catch in the tube, slide the floorplate onto the tube so that the round projection of the floorplate catch engages the hole in the floorplate. There will be an audible “snap” heard.

+2 Magazine:

Hold the tab flush with magazine body while sliding the floorplate on the tracks fully to the rear. Push the tab into the correct seating.

5.5 Cleaning the Pistol

Your firearm is a precision instrument. To ensure the reliable function of the pistol, it is necessary to establish routine maintenance procedures.



WARNING

CHECK THAT THE PISTOL IS UNLOADED (MAGAZINE REMOVED FROM PISTOL AND CHAMBER CLEAR). ALSO ENSURE THAT THE MAGAZINE IS UNLOADED.

After each use of the pistol or after being subjected to extreme weather conditions, the pistol should be cleaned and lubricated. Also, before using the pistol for the first time, it should be examined and cleaned. The pistol has been treated with either a preservative or oil to protect it against corrosion. Before using it, all excess oil should be wiped from the bore, chamber, and exposed areas using a clean swab or patch.

Field-strip the pistol as previously described. Starting with the barrel and from chamber end, insert a brush through the bore of the barrel until the bristles completely exit at muzzle end. Pull the brush back until the bristles completely exit at chamber end. Use a good powder-removing solvent and brass bristle bore brush to remove lead and firing residue from the interior of the barrel. Wipe the areas clean with patches or a swab.

Using a small brush dipped in solvent, remove all deposits from around the breech face, chamber end of the barrel, extractor and adjacent areas which have been exposed to powder or primer residue. Remove any residue on the frame with light brushing and a solvent. After cleaning, apply a light film of high quality gun lubricant to all external metal surfaces and wipe clean.

If the pistol will be used or stored in a cold climate, be sure to use appropriate lubricant that will not congeal at low temperatures.

⚠ WARNING

NEVER MANIPULATE, ADJUST OR CHANGE ANY OF THE INTERNAL COMPONENTS OF YOUR FIREARM UNLESS SPECIFICALLY DIRECTED TO DO SO IN THIS MANUAL. IMPROPER MANIPULATION OF ANY INTERNAL COMPONENT MAY AFFECT THE SAFETY AND RELIABILITY OF YOUR FIREARM AND MAY CAUSE SERIOUS INJURY, DEATH, OR DAMAGE TO PROPERTY.

⚠ WARNING

ANY MAINTENANCE OR SERVICE NOT SPECIFIED IN THIS MANUAL MUST BE PERFORMED BY A QUALIFIED GUNSMITH USING GENUINE WALTHER PARTS. IF YOU DO OTHERWISE, IMPROPER FUNCTIONING OF YOUR FIREARM MAY OCCUR AND SERIOUS INJURY OR DEATH OR DAMAGE TO PROPERTY MAY RESULT.

⚠ CAUTION

Always follow the instructions provided with the gun cleaner and gun lubricant. Some cleaners can cause damage to the pistol. You should avoid prolonged solvent immersion and prolonged ultrasonic cleaning of the pistol (maximum temperature for ultrasonic cleaning: 122 °F (50 °C)). Choice of solvent should be restricted to those products specifically developed for firearms maintenance. Damage to a firearm's finish may occur if these warnings are ignored. Ammonia based solvents or other strong alkaline solvents, should not be used on any WALTHER firearm.

5.6 Lubrication

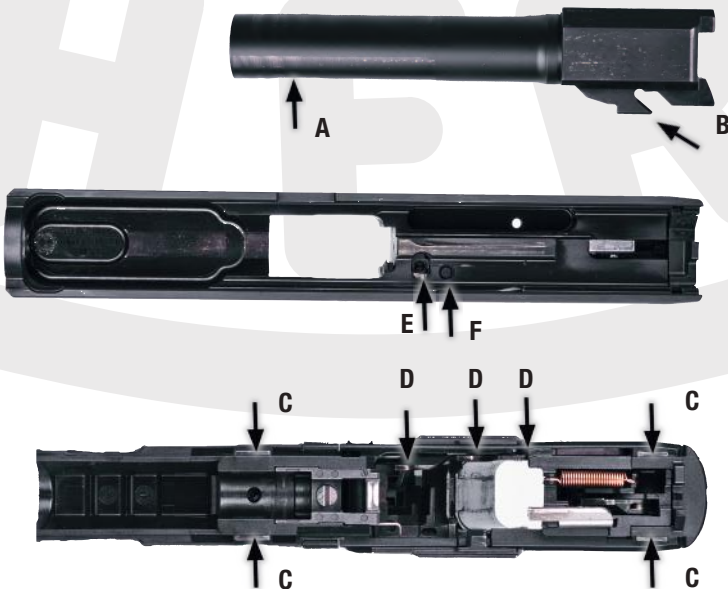
After cleaning the entire pistol, use a cloth to apply a light film of high quality gun lubricant to all external metal surfaces and wipe clean.

Do not over-lubricate the pistol to the extent where lubricant will be dripping or running down the handgun.

Excess lubricant can attract dirt, unburned powder and carbon residue, which can interfere with proper functioning of the pistol.

- Barrel:
Use a cloth to apply a light film of high quality gun lubricant to all external surfaces (A) and the ramp (B) where the locking block cams the barrel.
- Frame:
A light coat of high quality gun lubricant should be applied to the mechanism. Put only one drop of lubricant on the slide guides (C), and on the trigger bar (D).
- Slide:
Put only one drop of lubricant on the safety plunger (E), the disconnector cut (F).
- Magazine:
Apply a light film of high quality gun lubricant to all external metal surfaces.

⚠ CAUTION Do not lubricate inside the striker assembly, this creates the potential for residue build up and can inhibit the functionality of the firearm. The channel is designed to allow the striker to move freely without being obstructed by lubricants or buildup.



5.6 Fig. 1

5.7 Maintenance Before Storing

Obey all laws and regulations relating to the storage of firearms. You must familiarize yourself with all local, state, and federal laws regarding the safe storage of firearms and ammunition.

When storing the pistol, do not encase the firearm in anything that will attract or hold moisture, such as leather or heavy cloth. If the firearm is to be stored for an extended period, the bore, chamber and internal working mechanism should be lubricated with a high quality lubricant or preservative intended for firearms. The external working mechanisms, slide, barrel, and magazine should be coated with anti-corrosion lubrication.

Before using the pistol again, be sure to clean it. Every time you clean the firearm, check it for signs of wear. If wear is noted, do not use the firearm. Return it to WALTHER for service or have it checked by a qualified gunsmith.

W A L T H E R

6 ADJUSTING THE PISTOL TO ITS USER

WARNING

MAKE SURE THE HANDGUN IS UNLOADED BEFORE MAKING ANY ADJUSTMENTS.

6.1 Magazine Release

The Push Button Magazine Release is reversible. In case you wish to reverse it, a 1/32" (1 mm) drift and a small screwdriver (0.1" (2.5 mm)) is needed to do so.

1. Keep the magazine release pressed. By doing so, the magazine release moves out on the opposite side, revealing a small hole on its rearward facing end. Insert a 1/32" (1 mm) drift into the hole as far as it will go (6.1 Fig. 2).
2. Press in the drift. This will disengage the latch of the magazine release keeper (the individual parts are shown in 6.1 Fig. 3).
3. Use a 0.1" (2.5 mm) screwdriver to lift the keeper upwards and out (6.1 Fig. 4). In case the keeper does not come out, try lifting the keeper with the screwdriver while pressing in the drift.
4. Remove the magazine release (6.1 Fig. 5) and the compression spring from the opposite side.
5. Insert the compression spring on the side you wish to have the magazine release (6.1 Fig. 6).
6. Insert the magazine release over the spring (6.1 Fig. 7).
7. While pressing the magazine release, insert the keeper from the opposite side. Press in the keeper until an audible "snap" is heard (6.1 Fig. 8 and 9).



6.1 Fig. 1



6.1 Fig. 2



6.1 Fig. 3



6.1 Fig. 4



6.1 Fig. 5



6.1 Fig. 6



6.1 Fig. 8



6.1 Fig. 7



6.1 Fig. 9

6.2 Grip

If the grip of the pistol does not fit your hand comfortably, the backstrap can be replaced with another size to better suit your hand.

To do so, push the pin in the bottom part of the backstrap out using a $5/32$ " (4 mm) punch, exchange the backstrap for one with a better fit and replace the pin (6.2 Fig. 1). The backstraps are offered in sizes Small, Medium, and Large.



6.2 Fig. 1

6.3 Lanyard Loop

A lanyard loop for attachment of a lanyard is found at the lower end of the backstrap. The pin used to fasten the backstrap forms, together with a recess in the backstrap, an eyelet for attachment of a lanyard.

To attach a lanyard, push the pin in the bottom part of the backstrap out using a $5/32$ " (4 mm) punch, insert the lanyard, then place the pin back in.

ADJUSTING THE PISTOL TO ITS USER

6.4 Sights

The front and rear sight are replaceable. The point of impact is adjustable for windage and elevation.



WARNING

MAKE SURE THE HANDGUN IS UNLOADED BEFORE MAKING ANY MANIPULATION.

Field-strip the pistol as described in section 5.1.1.

6.4.1 Polymer Sights

FRONT SIGHT

Unscrew the front sight from the bottom of the front sight. Push the front sight out of the slide. Assembly is in reverse order. Screw in the front sight screw until it is flush (6.4.1 Fig. 1).



6.4.1 Fig. 1

REAR SIGHT

If shots group high, turn the rear adjustment screw (6.4.1 Fig. 2) clockwise, if they group low, turn it counter clockwise. Adjustment by one click moves the impact point approximately .7" at a distance of 25 yards.

If shots group to the left, turn the forward adjustment screw clockwise, if they group to the right, turn it counter clockwise. Adjustment by one click moves the impact point approximately .4" at a distance of 25 yards.



6.4.1 Fig. 2

6.4.2 Iron Sights

ELEVATION

Remove the front sight screw and press the front sight upwards and out. Assembly is in reverse order (6.4.2 Fig. 1). Remember to make sure the screw and the thread inside the front sight are free of oil or grease.

The thread of the front sight screw should be secured using an industrial adhesive (for example Loctite 648). To tighten the front sight screw, apply a torque of 8.8 inch pounds (1 Nm).



6.4.2 Fig. 1

WINDAGE

Windage adjustments are made by drifting the iron rear sight from side to side with a rear sight adjustment tool (accessory).

To adjust, move the rear sight in the direction you wish the group to move on the target. For example: if the group should move to the right, move the rear sight to the right.

6.4.3 Replacing the Mount Base

Docter, Trijicon, and Leupold or DeltaPoint reflex sights with an overall length of not more than 1.85" (47 mm) can be installed. Mount bases are required to do so. A variety of reflex sight mount bases are available as an optional item and are marked 01 (Docter), 02 (Trijicon) and 04 (Leupold/DeltaPoint).

To mount an optic, the correct mounting plate is available through Walther Arms Inc. Customer Service. Your first optic mount base is complimentary. Please order the correct mount base: Docter Mount Base (01), Trijicon Mount Base (02), Leupold Mount Base (04).

To install the correct mount base field-strip the pistol as described in section 5.1.1. Remove both screws using a screwdriver (size T10, 6.4.3 Fig. 1) and remove the base from the slide.



6.4.3 Fig. 1



6.4.3 Fig. 2



Note: Do not mix the two screws with screws that come with other sights.

The screws to secure the mount bases are metric screws, size M3x6 (6.4.3 Fig. 2).

The pre-applied blue thread locker is to secure the screws in place while shooting your pistol.

ADJUSTING THE PISTOL TO ITS USER

Place the new mount base on top of the slide with the markings facing down. Keep pulling the mount base toward its front stop (toward muzzle end of the slide) while tightening the screws (6.4.3 Fig. 3).



6.4.3 Fig. 3

Tighten both screws (apply a torque of approximately 18 inch pounds (2 Nm)). Now install your after market sight following the instructions provided with it (6.4.3 Fig. 4).



6.4.3 Fig. 4

T H E R

7 THE WALTHER LEGENDARY LIFETIME LIMITED WARRANTY

- The Walther Legendary Lifetime Limited Warranty gives you absolute confidence in your decision when you purchase a WALTHER. With WALTHER, you can rely on the precision of German engineering and the dependability of an American guarantee. Our warranty provides unwavering support for your new firearm and continues for the lifecycle of the product as long as the company manufactures and supports it. If you purchase a WALTHER firearm, it carries its Legendary Warranty regardless of whether or not you are the original purchaser. This Warranty covers WALTHER centerfire and rimfire firearms produced after 1993 only and does not apply to antique, limited edition or custom firearms.
- If your WALTHER firearm has a defect in materials or workmanship, please contact WALTHER or return the firearm, postage paid, with a brief description of the problem to us at the following address for a repair or replacement at no cost to you:

WALTHER ARMS, Inc.
7700 Chad Colley Blvd
Fort Smith, AR 72916

- This Warranty does not cover cosmetic blemishes or wear and tear associated with normal use.
- This Warranty does not cover any problems caused by abuse, misuse, or acts of God.
- This Warranty does not cover defects or damage caused by the use of parts or service not provided by WALTHER.
- WALTHER assumes no liability for consequential, punitive or other damages (except as set forth herein) related to a claim under this Warranty. A service and/or handling charge may be required for non-warranty repairs.
- This Warranty applies to the United States of America and covers only firearms currently produced and supported by WALTHER and distributed by WALTHER ARMS Inc. in Fort Smith Arkansas in the United States of America.
- This Warranty does not cover firearms that have been discontinued by Carl Walther or WALTHER ARMS Inc.
- This warranty gives you specific legal rights, and you may also have other rights which vary from state to state.

Warranty Claims and Repair for U.S. customers. Call WALTHER ARMS 1-479-242-8500 and ask for the Service Department. If it is determined a return is necessary, you will be issued a Firearm Return Authorization Number. Write this number boldly on the box and return the product prepaid to WALTHER ARMS. Your name, address, phone number and a note with the model name/number, serial number, and explanation of the defect found must be included with the firearm.



8. CONTACT & SHIPPING

It is important that the owner comply with all applicable federal, state and local laws and regulations in the shipment of the pistol to the applicable WALTHER Service Center.

It is recommended that shipments be insured by the owner, since WALTHER will accept no responsibility for loss or damage in transit. Transportation and insurance charges for return to the owner will be paid by WALTHER if the claim is covered by this warranty.

UNDER NO CIRCUMSTANCES SHALL WALTHER BE RESPONSIBLE FOR INCIDENTAL OR CONSEQUENTIAL DAMAGES WITH RESPECT TO ECONOMIC LOSS, INJURY, DEATH OR PROPERTY DAMAGE, WHETHER AS A RESULT OF BREACH OF THIS WARRANTY, NEGLIGENCE OR OTHERWISE.

Some States do not allow the exclusion or limitation of incidental or consequential damages, so the above limitation or exclusion may not apply to you.

WALTHER will not be responsible for:

- Defects or malfunctions resulting from careless handling, unauthorized adjustments or modifications made or attempted by anyone other than a qualified gunsmith following WALTHER authorized procedures, or failure to follow the instructions in the WALTHER PDP Safety & Instruction manual.
- Use of defective or improper ammunition, corrosion, neglect, abuse, ordinary wear and tear, or unreasonable use.
- Use of replacement parts, other than WALTHER factory or authorized parts.
- Criminal misuse, negligence, or use under the influence of drugs or alcohol.

This warranty gives you specific legal rights and you may also have other rights, which vary from State to State.

Note: All liability is excluded in the event that the instructions and warnings in this manual are not observed.

8 CONTACT & SHIPPING

For Owners within the United States

WALTHER ARMS, Inc.

Attn: Service Dept
7700 Chad Colley Boulevard
Fort Smith, AR 72916

Phone: 1-479-242-8500 ext. 507
E-mail: service@waltherarms.com
www.WaltherArms.com

- Call or e-mail the Customer Service Dept. for authorization and shipping instructions.
- ENSURE THAT THE FIREARM IS UNLOADED.
- DO NOT SHIP ANY AMMUNITION.

ACCESSORIES

- Enclose a letter which includes your full name and address (no P.O. Boxes, please), daytime telephone number, e-mail address, the serial number of the firearm, and details of the problem experienced (stating the brand and type of ammunition used when the problem occurred) or work desired.
- Record the serial number before shipping and retain in a secure place.
- Please remove all custom parts and accessories, such as stocks, special sights, or holsters from your firearm before returning.
- Place the handgun in its original case or in a similarly secure container and pack securely.
- When returning a pistol, please include all magazines ensuring they are unloaded; they are important to the proper function of the handgun.
- The package must NOT bear any markings which indicate the identity of the contents.
- It is most important that you comply with federal, state, and local laws and regulations. The following guidelines are meant to help, but you must seek assistance from the appropriate authorities if necessary.
- Do not attempt to ship a handgun via US Postal Service; only federally licensed dealers may ship a firearm by US Postal Service.

WARNING

ANY MAINTENANCE OR SERVICE NOT SPECIFIED IN THIS MANUAL MUST BE PERFORMED BY A QUALIFIED GUNSMITH USING GENUINE WALTHER PARTS. IF YOU DO OTHER YOU MAY PURCHASE ACCESSORIES FOR YOUR WALTHER FIREARM. YOU MUST HAVE SOME OF THESE PARTS INSTALLED BY A GUNSMITH QUALIFIED TO PERFORM SERVICE ON WALTHER PISTOLS. YOU MUST NEVER ATTEMPT TO MODIFY YOUR FIREARM OR INSTALL REPLACEMENT PARTS IN YOUR FIREARM. ALWAYS USE A QUALIFIED WALTHER GUNSMITH EVEN IF THE REPAIR SEEMS TO BE SIMPLE. OTHERWISE, IMPROPER FUNCTIONING OF YOUR FIREARM MAY OCCUR AND SERIOUS INJURY OR DEATH OR DAMAGE TO PROPERTY MAY RESULT.

9 ACCESSORIES

Accessories for your WALTHER firearm are available from your local WALTHER Stocking Dealer, or directly from WALTHER ARMS, Inc.

Contact the Customer Service Department at 1-479-242-8500 or www.WaltherArms.com for information about these services.

WALTHER



7700 CHAD COLLEY BOULEVARD
FORT SMITH, AR 72916
PHONE: 1-479-242-8500

⚠ WARNING

FROM THE MASSACHUSETTS ATTORNEY GENERAL:

This handgun is not equipped with a device that fully blocks use by unauthorized users. More than 200,000 firearms like this one are stolen from their owners every year in the United States. In addition, there are more than a thousand suicides each year by younger children and teenagers who get access to firearms. Hundreds more die from accidental discharge. It is likely that many more children sustain serious wounds, or inflict such wounds accidentally on others. In order to limit the chance of such misuse, it is imperative that you keep this firearm locked in a secure place and take other steps necessary to limit the possibility of theft or accident. Failure to take reasonable preventive steps may result in innocent lives being lost, and in some circumstances may result in your liability for these deaths.