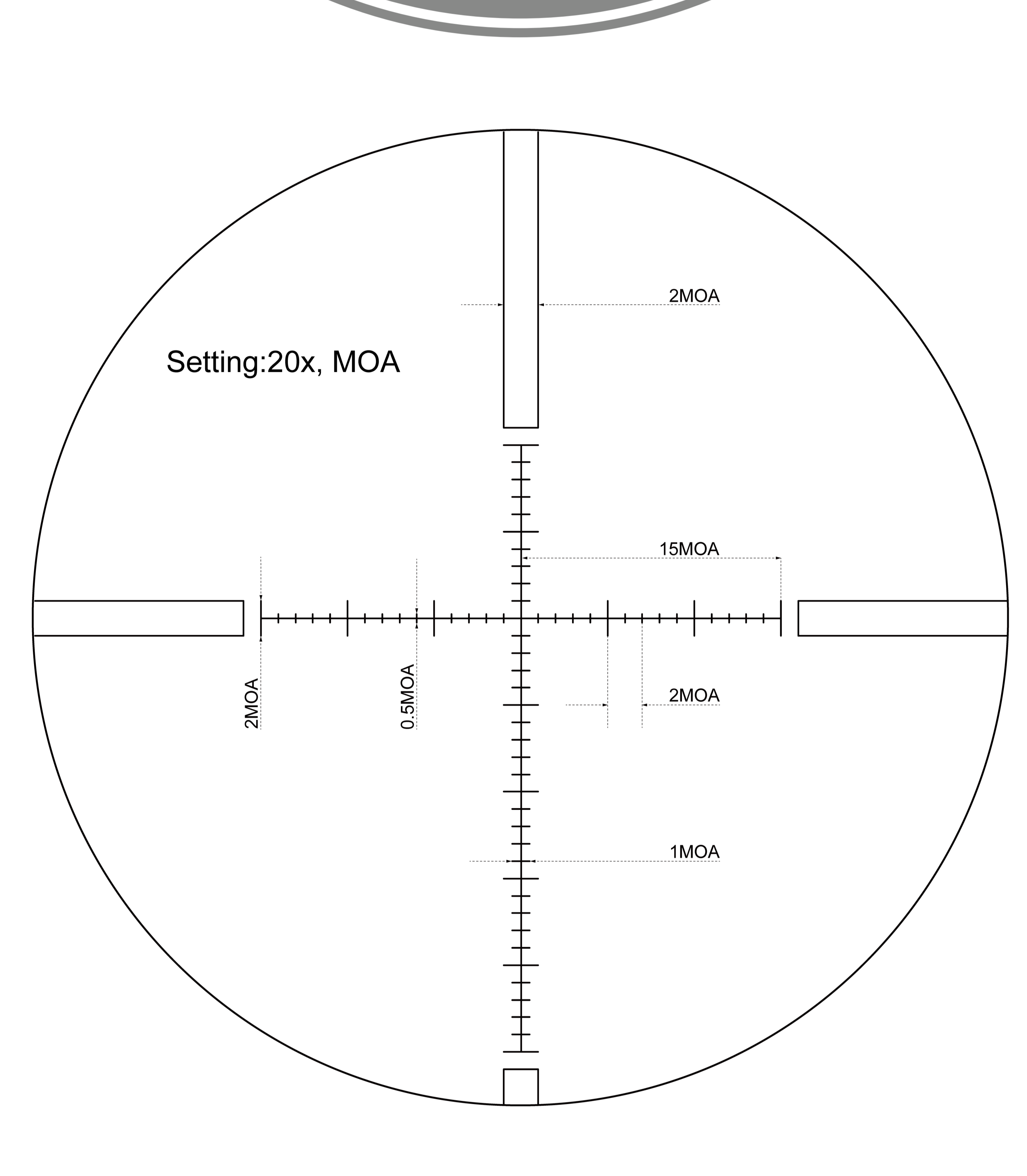
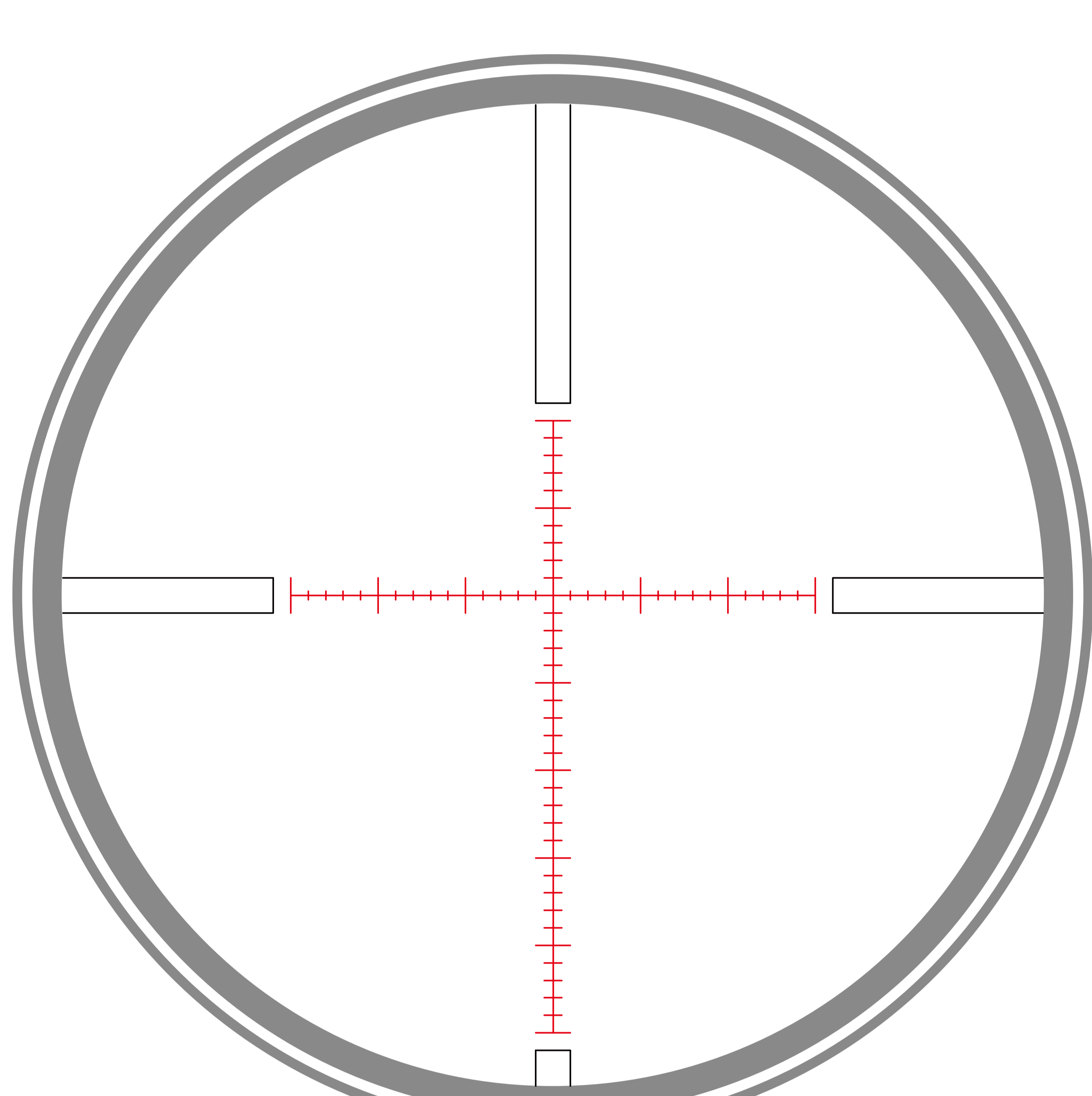
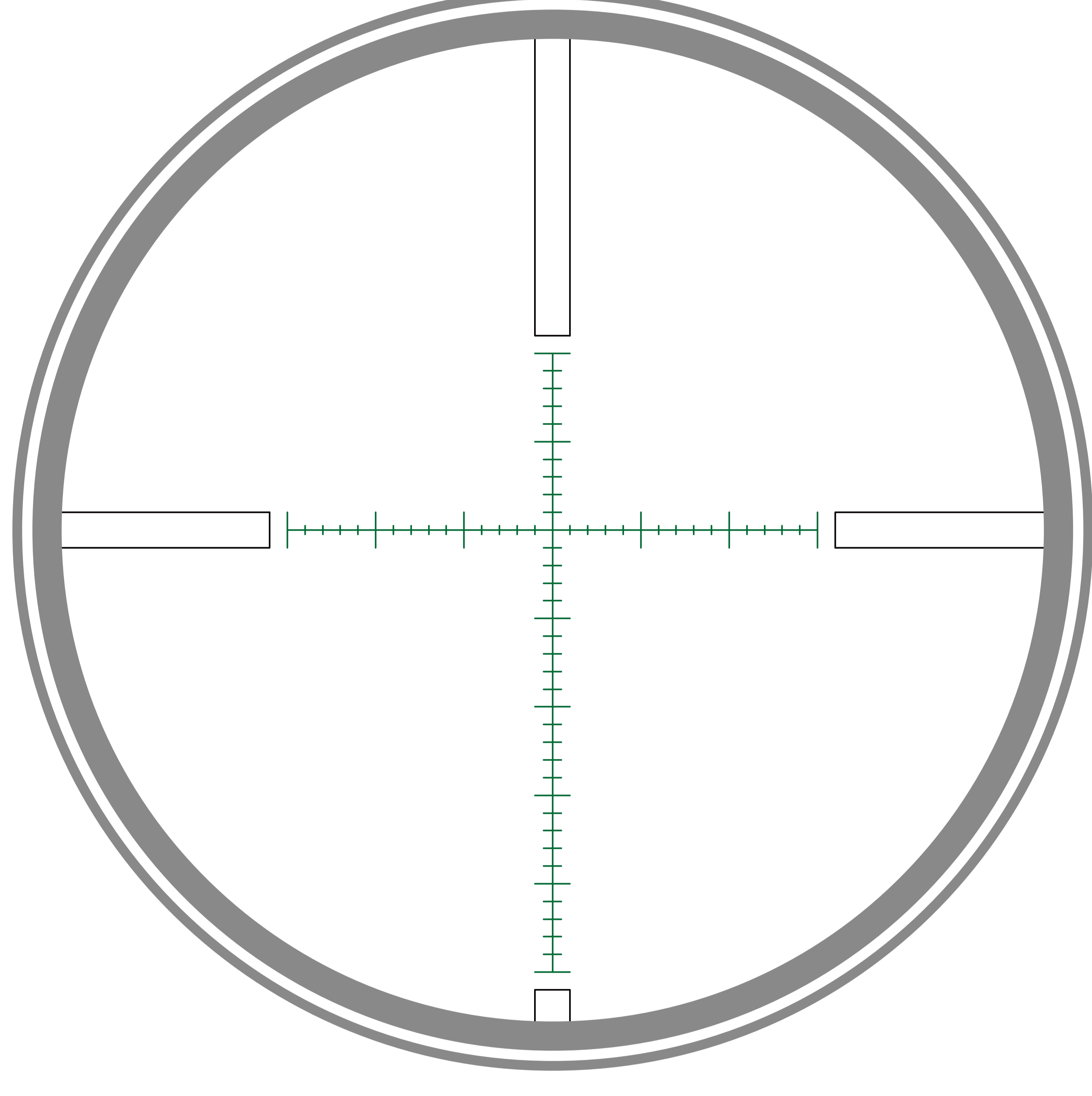
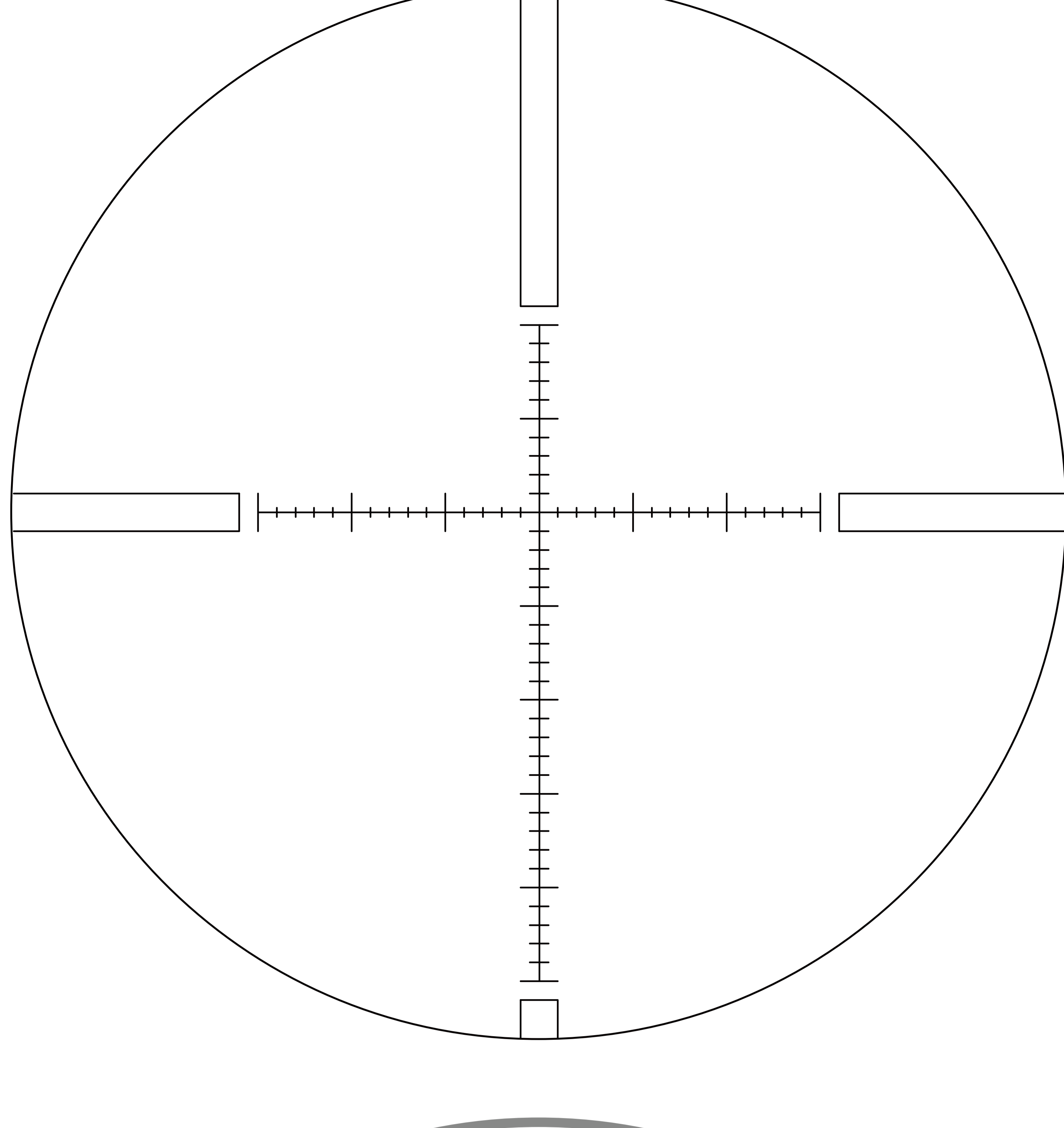
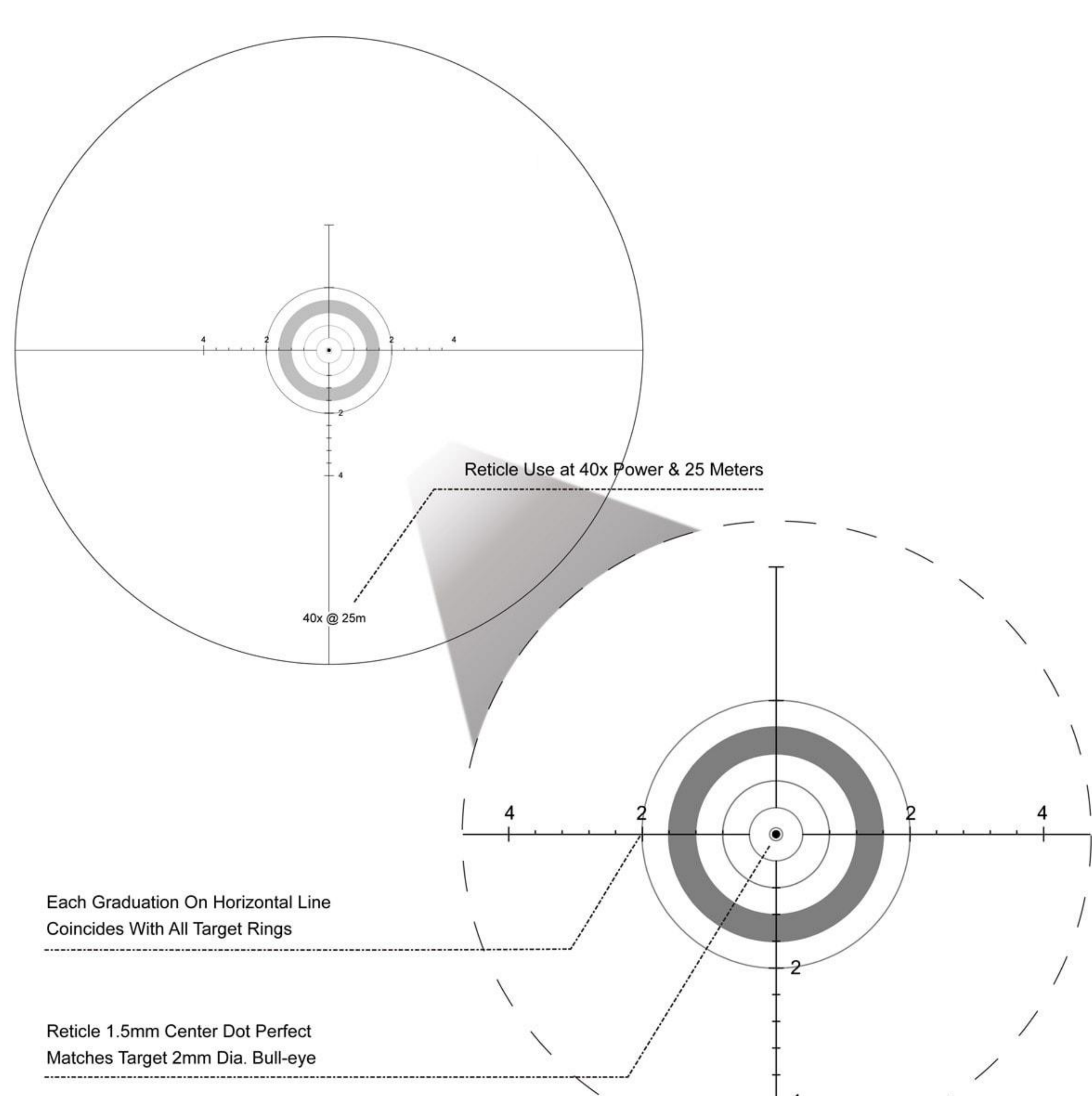
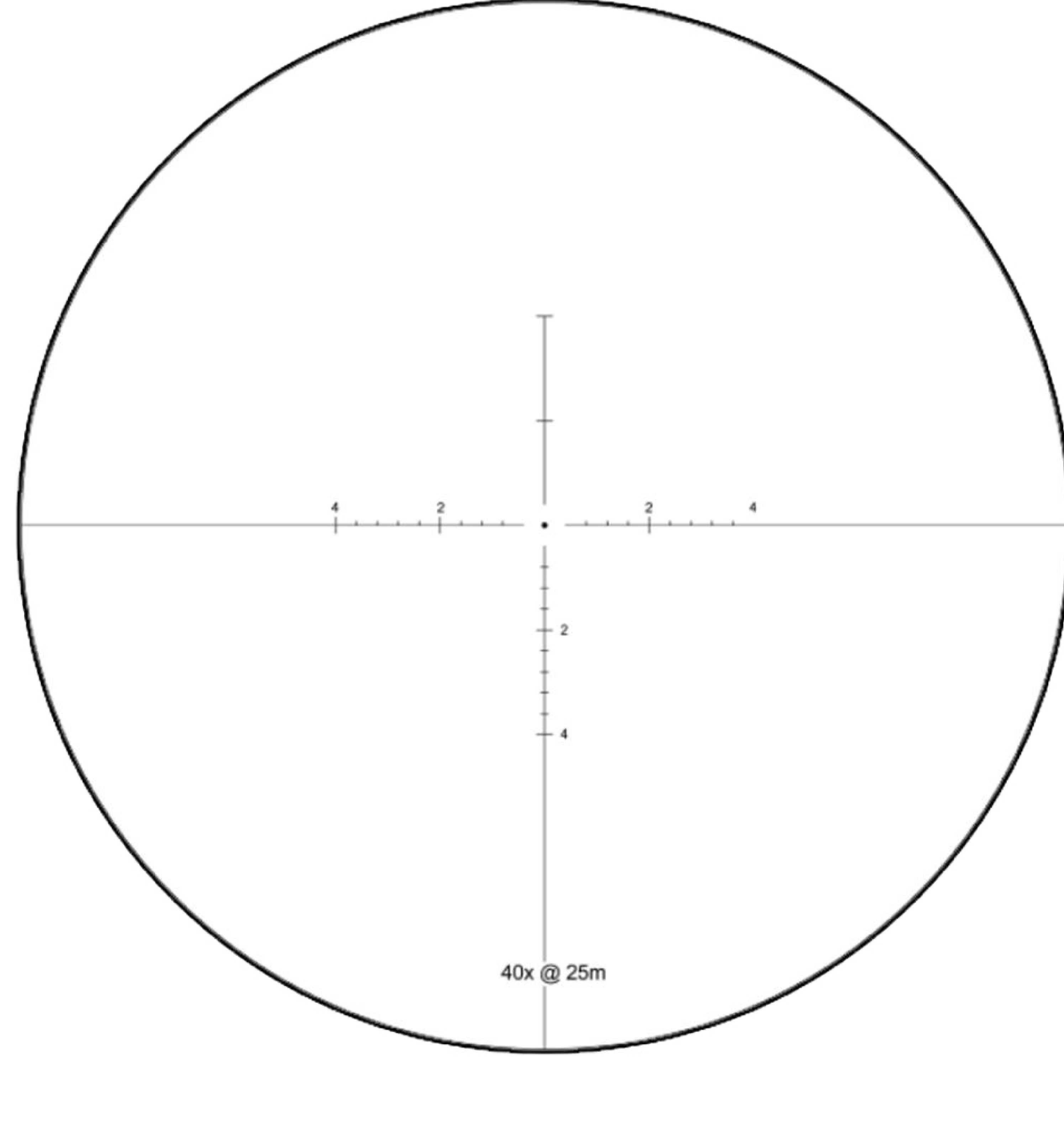


# MPR-3



# COM-25M



Each Graduation On Horizontal Line  
Coincides With All Target Rings

Reticle 1.5mm Center Dot Perfect  
Matches Target 2mm Dia. Bull-eye