

HM-HS07P

Monocular Monitor Screen



Handheld Display is a multi-purpose accessory that integrates the functions of extended display, parameter configuration and power supply, etc. It is able to extend the handheld products' eyepiece display to observe images more conveniently. It is easy to operate, could adjust the image quickly and supply power to handheld products, which improve search efficiency, enrich the outdoor experience and increase the man-machine working efficiency.

Key Features

- 720P HD display
- 5 inch LCD touch screen
- Support reverse charging function
- Support custom parameters
- Support palette change

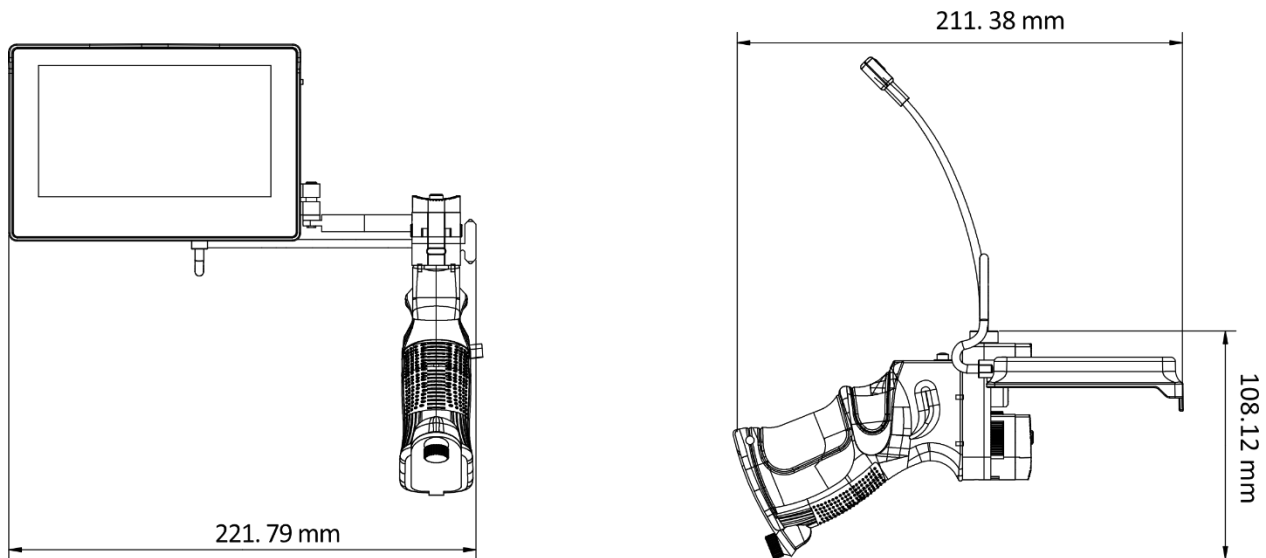
Specification

Image Display	
Display	5-inch 1280 × 720 HD LCD display
Power Supply	
Power	Two 18650 Batteries
General	
Power Consumption	≤ 1.8 W
Dimension	221.79 mm × 108.98 mm × 211.38 mm
Weight	335 g
Working Temperature	-20°C to 55°C
Port	Type-C

Available Model

HM-HS07P

Dimension



COMPLIANCE NOTICE: The thermal series products might be subject to export controls in various countries or regions, including without limitation, the United States, European Union, United Kingdom and/or other member countries of the Wassenaar Arrangement. Please consult your professional legal or compliance expert or local government authorities for any necessary export license requirements if you intend to transfer, export, re-export the thermal series products between different countries.



 HIKMICRO Outdoor  hikmicro_outdoor  HIKMICRO Outdoor  HIKMICRO  info@hikmicrotech.com  <http://hikmicrotech.com/en>

room 313, unit B,duilding 2,399 danfeng road,xixing subdistrict,binjiang district,hangzhou,zhejiang
@hangzhou microimage software co.,Ltd .2020 | data subject to change without notice!